
	Product Information CHM5-60	Manufacturer	CNP
		Address	Yuhang District, Hangzhou, Zhejiang,
Project Name		Contact	86-571-88637351
		Date	2022/03/07
Item NO		Client Name	DPA
		Client Addr.	
		Contacts	Alireza
		Contact	

Part NO.	1100217934
----------	------------

Product Picture	Note
	<p>Non-self-priming horizontal multistage centrifugal pump. The impeller guide vane is made of stainless steel plate stamping and welding. Equipped with long shaft motor, axial inlet and radial outlet.</p>

technology	
Pump rotator speed	2900
Material	
Impeller	316L
Rubber code	F
Material Code	L
Installation	
Connection Code	L
Installation type	horizontal
Maximum Operation Pressure	10Bar
Medium	
Medium Temperature normal	-15+70
Medium Temperature high t	-15+105
Maximum Environment Temper	40
Structure dimension	
Inlet & outlet size types	G
Inlet & Outlet Diameter	G1½/G1
Rotation Direction	Clockwise
Motor	
Number of Motor Phase	Three Phase
Protection Class	IP55
Insulation Class	F
Motor Power	1.1
Energy Efficiency Level	IE2
Seal	
Mechanical Seal	CHM-14/SB1F6
Others	
Weight (kg)	15



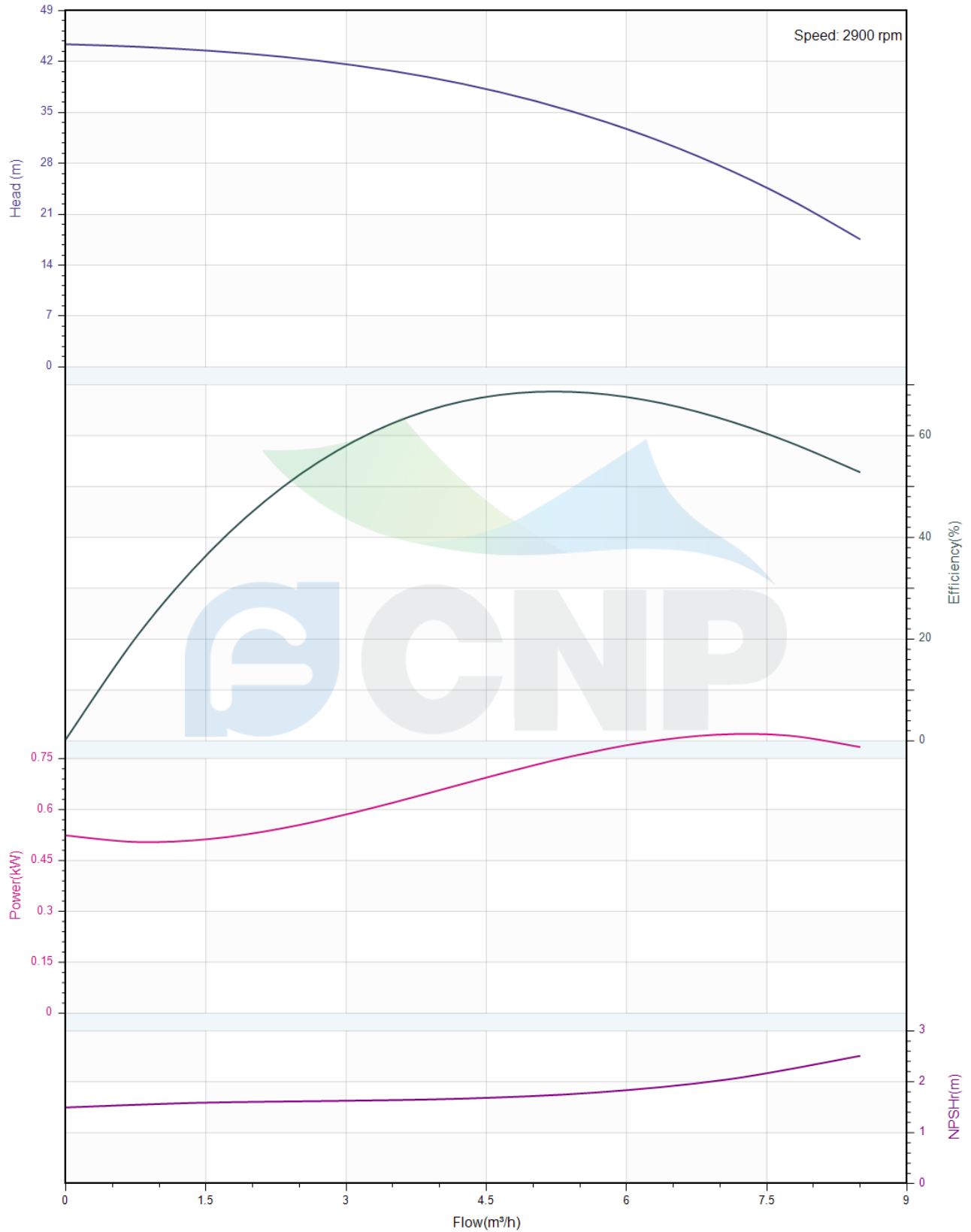
Performance Curve CHM5-60

Manufacturer	CNP
Address	Yuhang District, Hangzhou, Zhejiang,
Contact	86-571-88637351
Date	2022/03/07
Client Name	DPA
Client Addr.	
Contacts	Alireza
Contact	

Project Name

Item NO

The hydraulic performance curve have been tested with Clean Water at 20°C, density 1000kg/m³, and at 1bar atmospheric pressure. ISO99062012 Grade 3B





Pump Technical Parameters CHM5-60

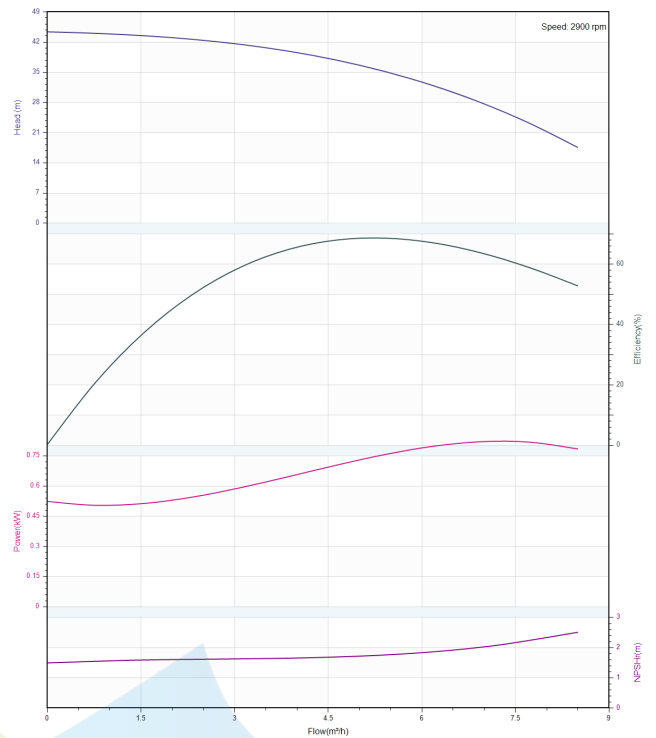
Manufacturer	CNP
Address	Yuhang District, Hangzhou, Zhejiang,
Contact	86-571-88637351
Date	2022/03/07
Client Name	DPA
Client Addr.	
Contacts	Alireza
Contact	


Rated parameters

Pump model	CHM5-60
Part NO.	1100217934
Rated flow (m ³ /h)	5
Rated head (m)	37
Rated efficiency (%)	67
Power (kW)	0.752
NPSHr (m)	1.8
Speed (rpm)	2900
Max impeller diameter (mm)	82

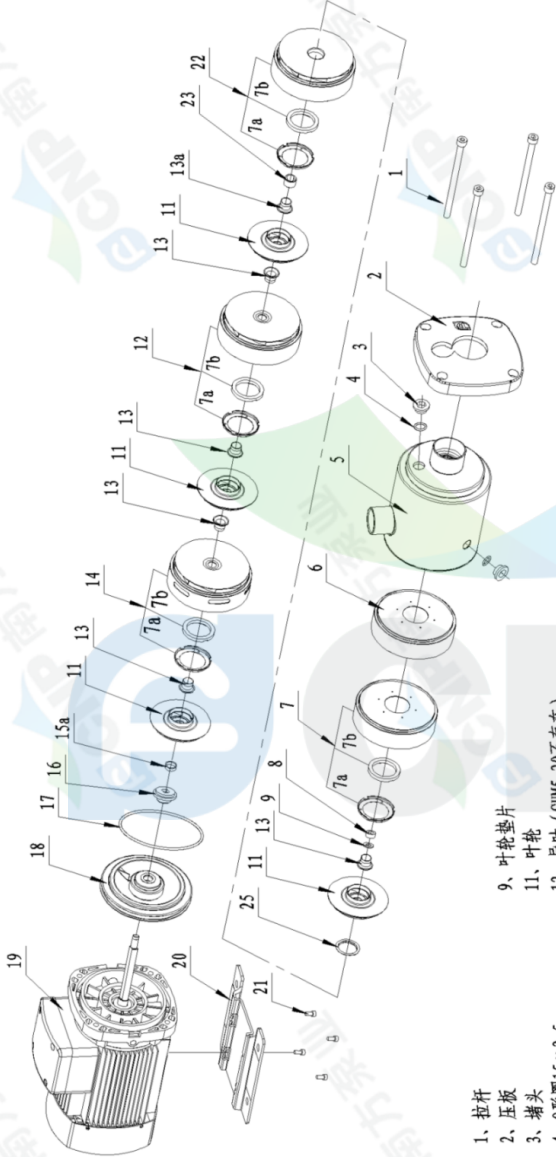
Medium

Pumped medium	Clean Water
Working temperature (°C)	20
Medium density (kg/m ³)	1000
Viscosity (mm ² /s)	1



	Structure picture CHM5-60	Manufacturer	CNP
		Address	Yuhang District, Hangzhou, Zhejiang,
Project Name		Contact	86-571-88637351
		Date	2022/03/07
Item NO		Client Name	DPA
		Client Addr.	
		Contacts	Alireza
		Contact	


CHM5-200801



- 1、拉杆
2、压板
3、堵头
4、O形圈15×2.5
5、进出水段
6、导流壳体 (仅用于CHM5-30)
7、导流器
7a、口环
7b、口环
8、螺母M8
9、叶轮垫片
11、叶轮
12、导叶 (CHM5-20不存在)
13、叶轮隔套13×12.6
14、出水导叶
15a、出水叶轮隔套
16、机械密封
17、O形圈115×4
18、密封座
19、电机
20、底座
21、螺钉M5×12
22、支撑导叶 (仅用于CHM5-40至5-80)
23、耐磨轴套 (仅用于CHM5-40至5-80)
25、支撑垫片 (仅用于CHM5-40至5-80)

新一代CHM5-200801

插图	
修改	
旧版图号	
新版图号	
签字	
日期	

		爆炸图	
		图样标记	比例
设计	校对	S	1:1
审核	工艺		
日期	日期	共 1 页	第 1 页
		CHM5-200801	

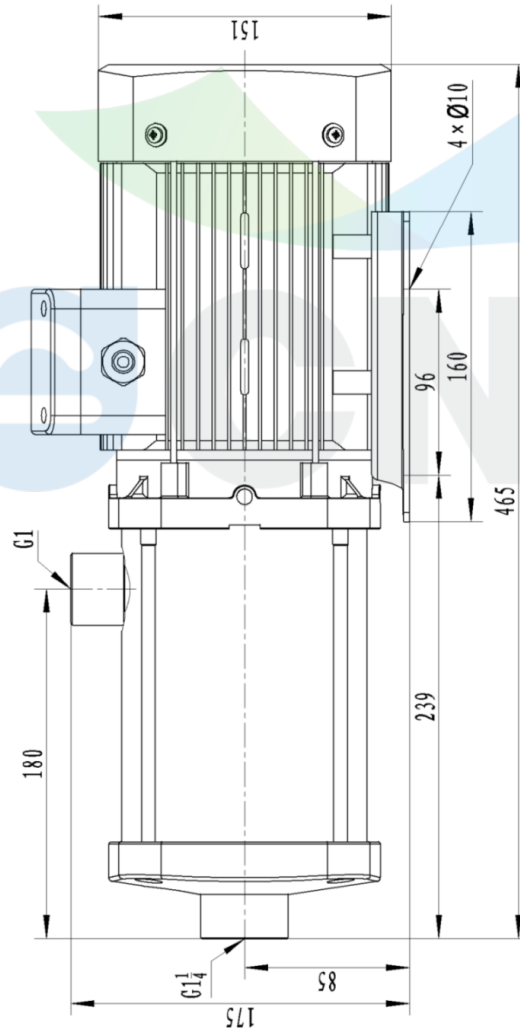
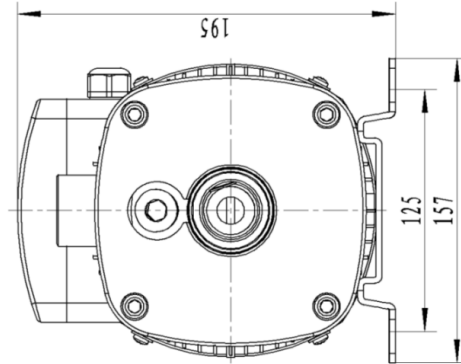


Dimension Drawing CHM5-60

Manufacturer	CNP
Address	Yuhang District, Hangzhou, Zhejiang,
Contact	86-571-88637351
Date	2022/03/07
Client Name	DPA
Client Addr.	
Contacts	Alireza
Contact	

Project Name

Item NO



CHM5-60 50HZ