
	Product Information CHM5-40	Manufacturer	CNP
		Address	Yuhang District, Hangzhou, Zhejiang,
Project Name		Contact	86-571-88637351
		Date	2022/03/07
Item NO		Client Name	DPA
		Client Addr.	
		Contacts	Alireza
		Contact	

Part NO.	1100219805
----------	------------

Product Picture	Note
	<p>Non-self-priming horizontal multistage centrifugal pump. The impeller guide vane is made of stainless steel plate stamping and welding. Equipped with long shaft motor, axial inlet and radial outlet.</p>

technology	
Pump rotator speed	2900
Material	
Impeller	316L
Rubber code	F
Material Code	L
Installation	
Connection Code	L
Installation type	horizontal
Maximum Operation Pressure	10Bar
Medium	
Medium Temperature normal	-15+70
Medium Temperature high t	-15+105
Maximum Environment Temper	40
Structure dimension	
Inlet & outlet size types	G
Inlet & Outlet Diameter	G1½/G1
Rotation Direction	Clockwise
Motor	
Number of Motor Phase	Three Phase
Protection Class	IP55
Insulation Class	F
Motor Power	0.55
Energy Efficiency Level	IE2
Seal	
Mechanical Seal	CHM-14/SB1F6
Others	
Weight (kg)	11



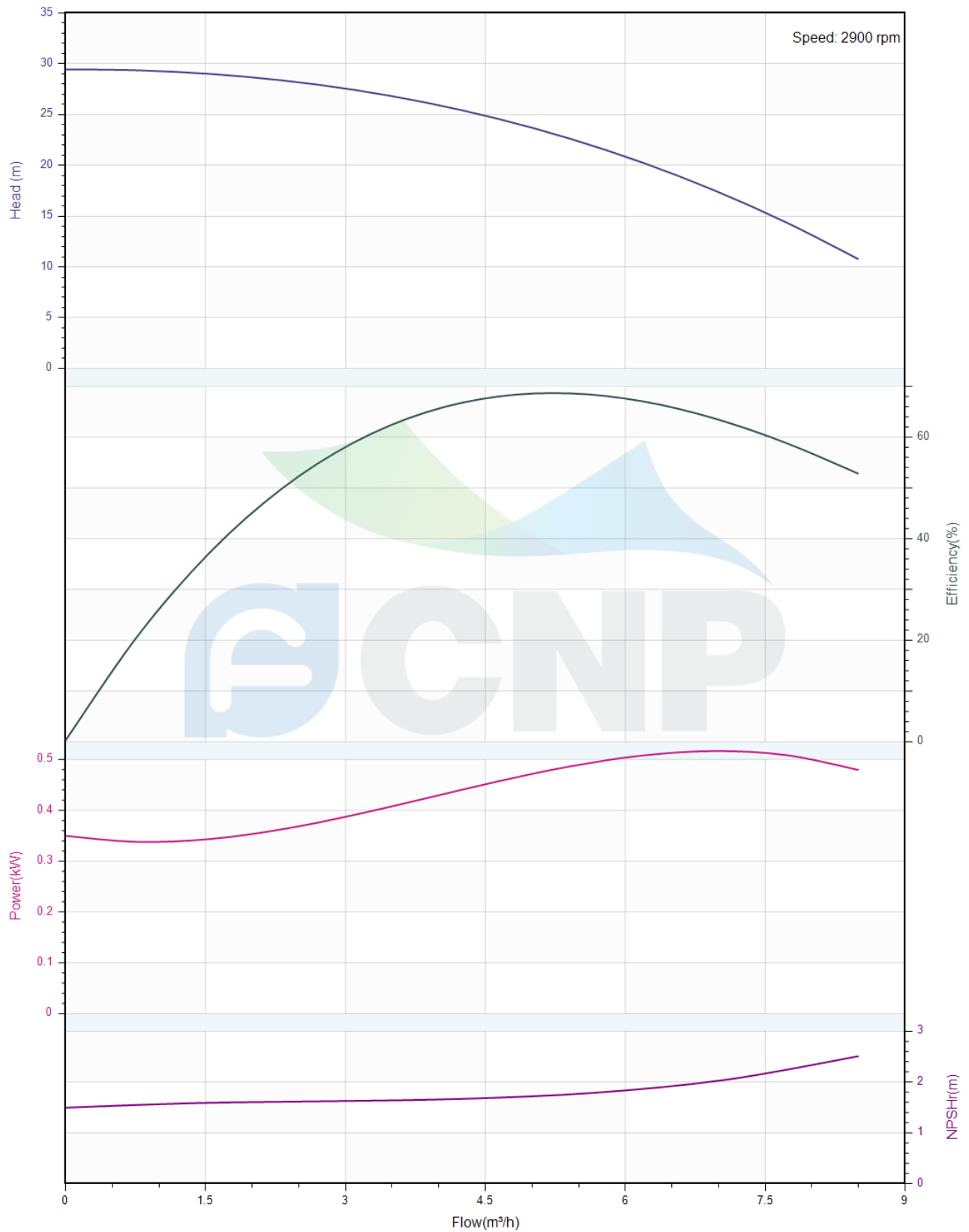
Performance Curve CHM5-40

Manufacturer	CNP
Address	Yuhang District, Hangzhou, Zhejiang,
Contact	86-571-88637351
Date	2022/03/07
Client Name	DPA
Client Addr.	
Contacts	Alireza
Contact	

Project Name

Item NO

The hydraulic performance curve have been tested with Clean Water at 20°C, density 1000kg/m³, and at 1bar atmospheric pressure. ISO99062012 Grade 3B





Pump Technical Parameters CHM5-40

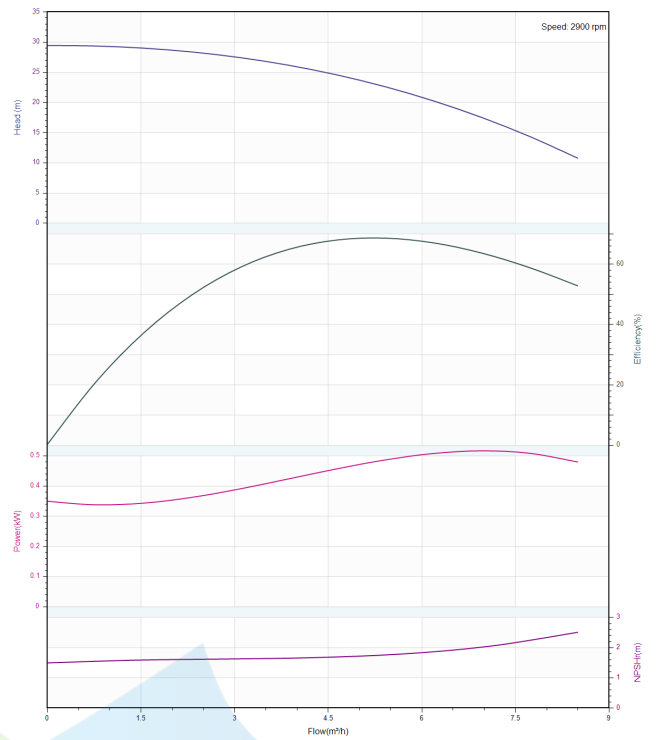
Manufacturer	CNP
Address	Yuhang District, Hangzhou, Zhejiang,
Contact	86-571-88637351
Date	2022/03/07
Client Name	DPA
Client Addr.	
Contacts	Alireza
Contact	


Rated parameters

Pump model	CHM5-40
Part NO.	1100219805
Rated flow (m ³ /h)	5
Rated head (m)	24
Rated efficiency (%)	67
Power (kW)	0.488
NPSHr (m)	1.8
Speed (rpm)	2900
Max impeller diameter (mm)	82

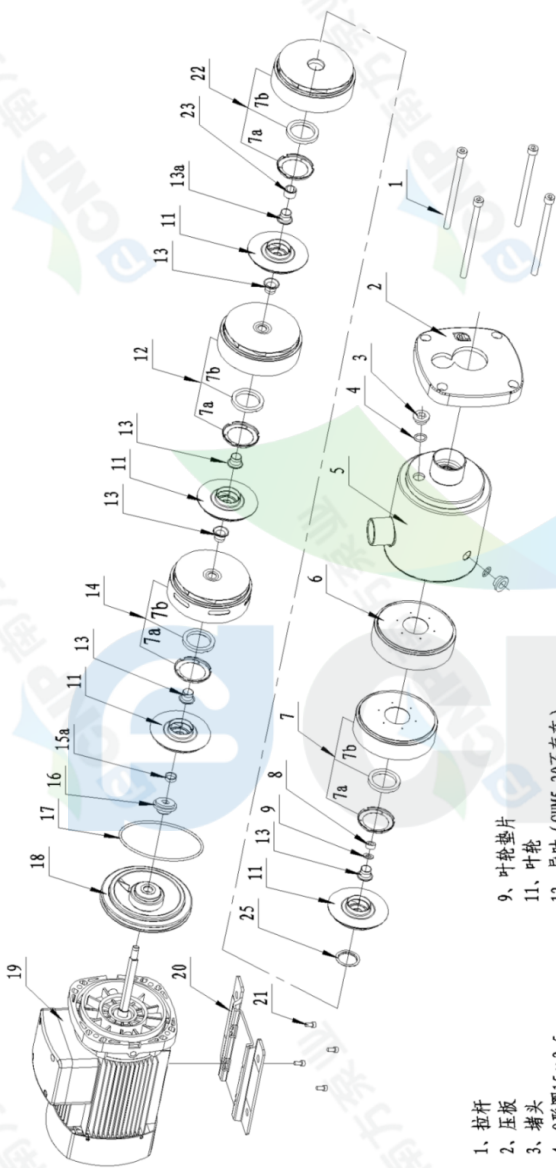
Medium

Pumped medium	Clean Water
Working temperature (°C)	20
Medium density (kg/m ³)	1000
Viscosity (mm ² /s)	1



	Structure picture CHM5-40	Manufacturer	CNP
		Address	Yuhang District, Hangzhou, Zhejiang,
Project Name		Contact	86-571-88637351
		Date	2022/03/07
Item NO		Client Name	DPA
		Client Addr.	
		Contacts	Alireza
		Contact	

CHM5-200801



- 1、拉杆
- 2、压板
- 3、堵头
- 4、O形圈15×2.5
- 5、进出水段
- 6、导流壳体 (仅用于CHM5-30)
- 7、导流器
- 7a、口环盖
- 7b、口环
- 8、螺母M8
- 9、叶轮垫片
- 11、叶轮
- 12、导叶 (CHM5-20不存在)
- 13、叶轮隔套13×12.6
- 14、出水导叶
- 15a、出水叶轮隔套
- 16、机械密封
- 17、O形圈115×4
- 18、密封座
- 19、电机
- 20、底座
- 21、螺钉M5×12
- 22、支撑导叶 (仅用于CHM5-40至5-80)
- 23、耐磨轴套 (仅用于CHM5-40至5-80)
- 25、支撑垫片 (仅用于CHM5-40至5-80)

新一代CHM5-200801

插图
修改
旧版图号
新版图号
签字
日期

		爆炸图	
		图样标记	比例
设计	校对	S	1:1
审核	工艺		
标记	更改文件名称	签字	日期
		标准化	
		审定	
		日期	
		共 1 页	第 1 页

CHM5-200801
 轻型卧式多级离心泵

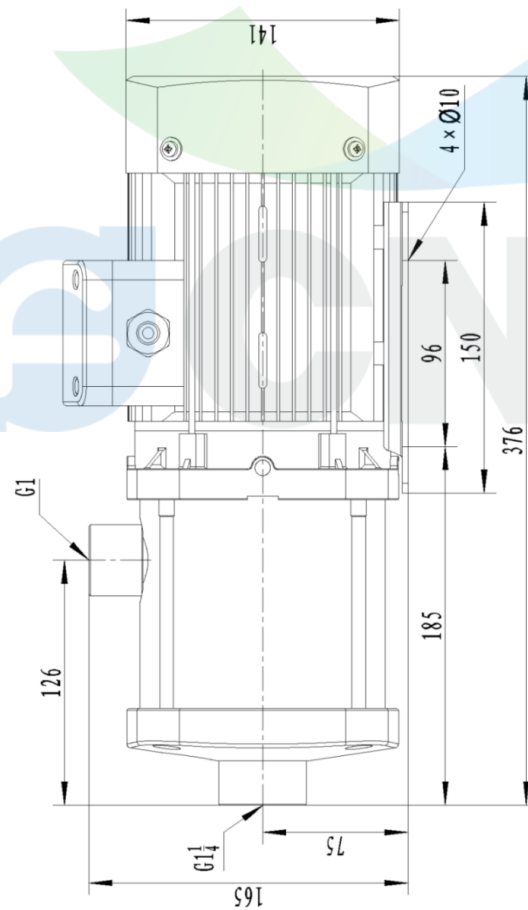
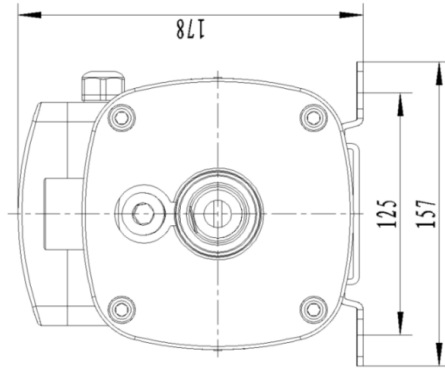


Dimension Drawing CHM5-40

Manufacturer	CNP
Address	Yuhang District, Hangzhou, Zhejiang,
Contact	86-571-88637351
Date	2022/03/07
Client Name	DPA
Client Addr.	
Contacts	Alireza
Contact	

Project Name

Item NO



CHM5-40 50HZ