



| | | | |
|--|---|--------------|--------------------------------------|
|  | Product Information CHM4-5 | Manufacturer | CNP |
| | | Address | Yuhang District, Hangzhou, Zhejiang, |
| Project Name | | Contact | 86-571-88637351 |
| | | Date | 2022/03/07 |
| Item NO | | Client Name | DPA |
| | | Client Addr. | |
| | | Contacts | Alireza |
| | | Contact | |

| | |
|----------|------------|
| Part NO. | 1100114852 |
|----------|------------|

| Product Picture | Note |
|---|---|
|  | <p>Non-self-priming horizontal multistage centrifugal pump. The impeller guide vane is made of stainless steel plate stamping and welding. Equipped with long shaft motor, axial inlet and radial outlet.</p> |

| | |
|----------------------------|--------------|
| technology | |
| Pump rotator speed | 2900 |
| Material | |
| Impeller | 304 |
| Rubber code | F |
| Material Code | S |
| Installation | |
| Connection Code | L |
| Installation type | horizontal |
| Maximum Operation Pressure | 10Bar |
| Medium | |
| Medium Temperature normal | -15+70 |
| Medium Temperature high t | -15+105 |
| Maximum Environment Temper | 40 |
| Structure dimension | |
| Inlet & outlet size types | G |
| Inlet & Outlet Diameter | G1½/G1 |
| Rotation Direction | Clockwise |
| Motor | |
| Number of Motor Phase | Three Phase |
| Protection Class | IP55 |
| Insulation Class | F |
| Motor Power | 1.1 |
| Energy Efficiency Level | IE2 |
| Seal | |
| Mechanical Seal | CHM-14/SB1F4 |
| Others | |
| Weight (kg) | 17 |



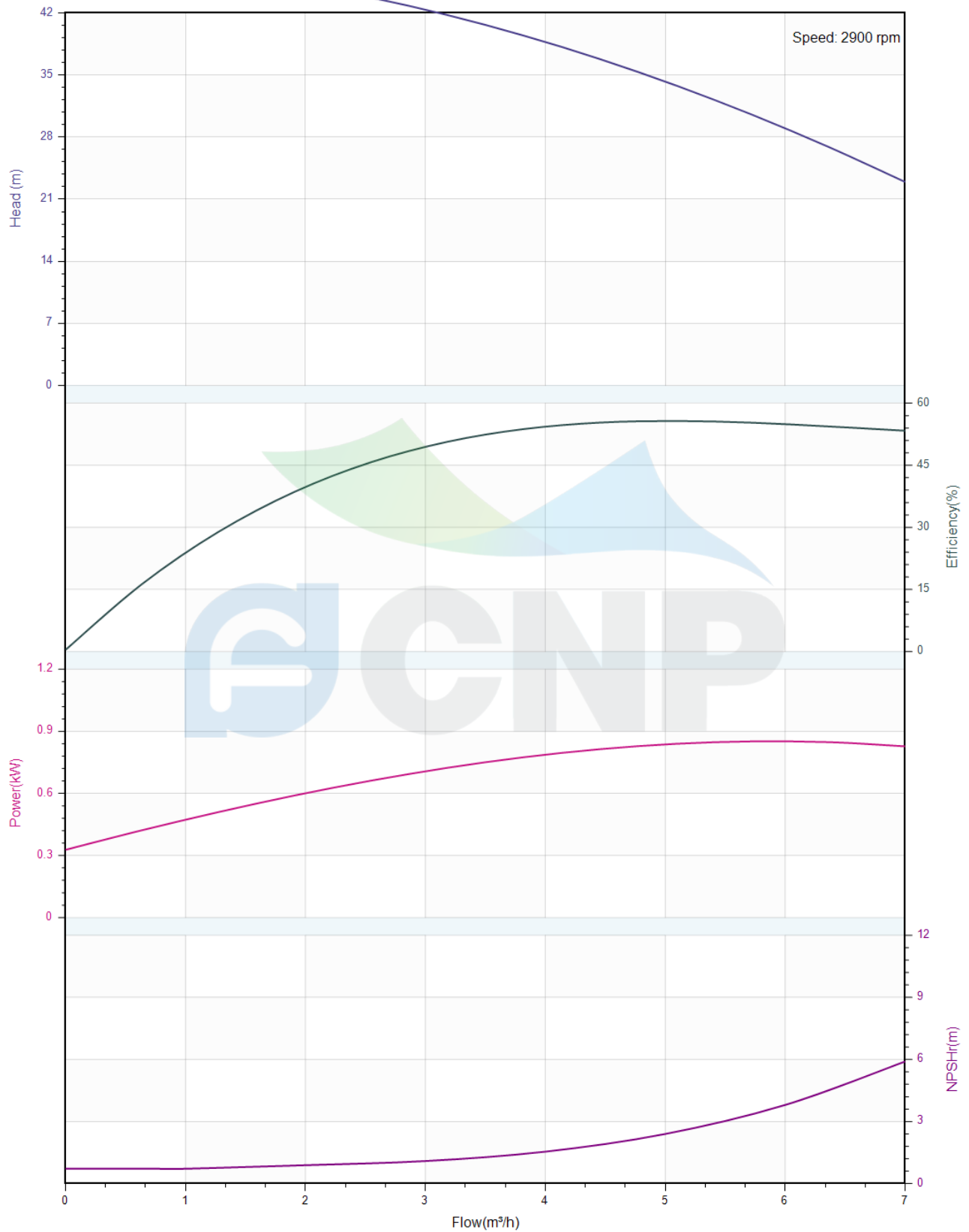
Performance Curve CHM4-5

| | |
|--------------|--------------------------------------|
| Manufacturer | CNP |
| Address | Yuhang District, Hangzhou, Zhejiang, |
| Contact | 86-571-88637351 |
| Date | 2022/03/07 |
| Client Name | DPA |
| Client Addr. | |
| Contacts | Alireza |
| Contact | |

Project Name

Item NO

The hydraulic performance curve have been tested with Clean Water at 20°C, density 1000kg/m³, and at 1bar atmospheric pressure. ISO99062012 Grade 3B





Pump Technical Parameters CHM4-5

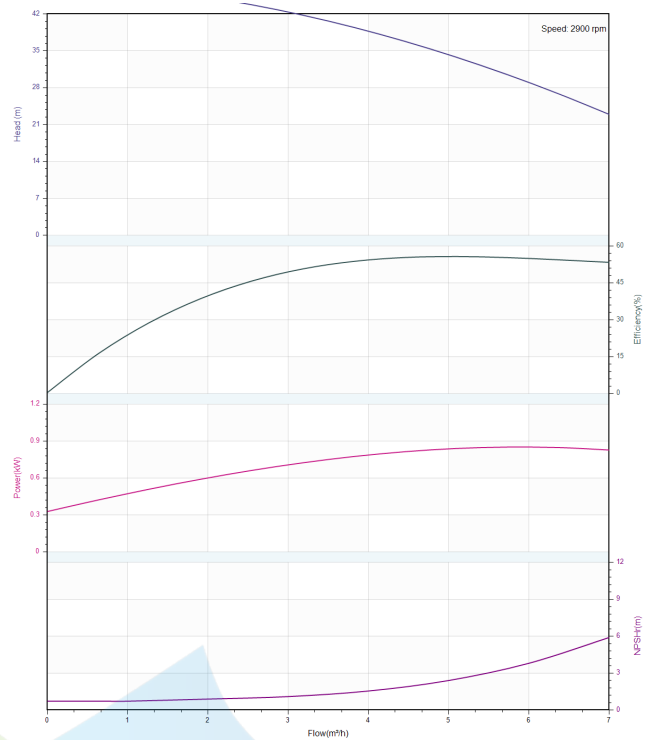
| | |
|--------------|--------------------------------------|
| Manufacturer | CNP |
| Address | Yuhang District, Hangzhou, Zhejiang, |
| Contact | 86-571-88637351 |
| Date | 2022/03/07 |
| Client Name | DPA |
| Client Addr. | |
| Contacts | Alireza |
| Contact | |

Rated parameters

| | |
|--------------------------------|------------|
| Pump model | CHM4-5 |
| Part NO. | 1100114852 |
| Rated flow (m ³ /h) | 4 |
| Rated head (m) | 39 |
| Rated efficiency (%) | 49 |
| Power (kW) | 0.868 |
| NPSHr (m) | 2 |
| Speed (rpm) | 2900 |
| Max impeller diameter (mm) | 95 |

Medium

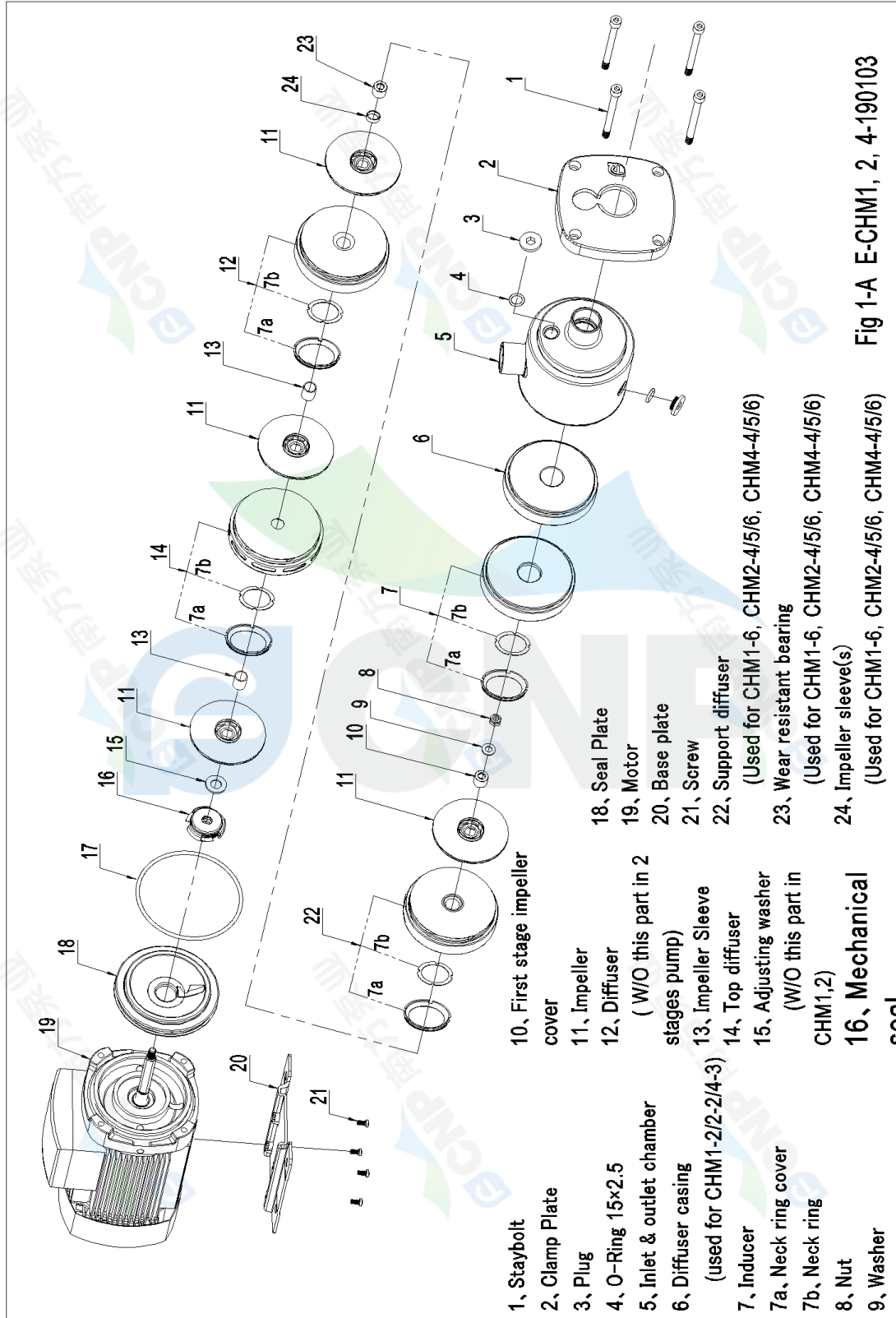
| | |
|-------------------------------------|-------------|
| Pumped medium | Clean Water |
| Working temperature (°C) | 20 |
| Medium density (kg/m ³) | 1000 |
| Viscosity (mm ² /s) | 1 |



| | |
|--------------|--------------------------------------|
| Manufacturer | CNP |
| Address | Yuhang District, Hangzhou, Zhejiang, |
| Contact | 86-571-88637351 |
| Date | 2022/03/07 |
| Client Name | DPA |
| Client Addr. | |
| Contacts | Alireza |
| Contact | |

Project Name

Item NO



- 1, Staybolt
- 2, Clamp Plate
- 3, Plug
- 4, O-Ring 15x2.5
- 5, Inlet & outlet chamber
- 6, Diffuser casing (used for CHM1-2/2-2/4-3)
- 7, Inducer
- 7a, Neck ring cover
- 7b, Neck ring
- 8, Nut
- 9, Washer
- 10, First stage impeller cover
- 11, Impeller
- 12, Diffuser (W/O this part in 2 stages pump)
- 13, Impeller Sleeve (used for CHM1-2/2-2/4-3)
- 14, Top diffuser
- 15, Adjusting washer (W/O this part in CHM1,2)
- 16, Mechanical seal
- 17, O-Ring 115 x 3.55
- 18, Seal Plate
- 19, Motor
- 20, Base plate
- 21, Screw
- 22, Support diffuser (Used for CHM1-6, CHM2-4/5/6, CHM4-4/5/6)
- 23, Wear resistant bearing (Used for CHM1-6, CHM2-4/5/6, CHM4-4/5/6)
- 24, Impeller sleeve(s) (Used for CHM1-6, CHM2-4/5/6, CHM4-4/5/6)

Fig 1-A E-CHM1, 2, 4-190103

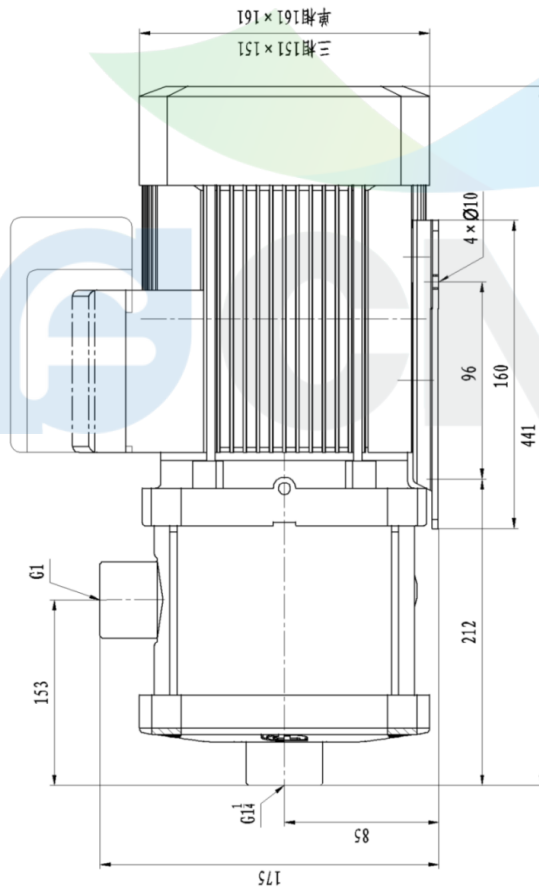
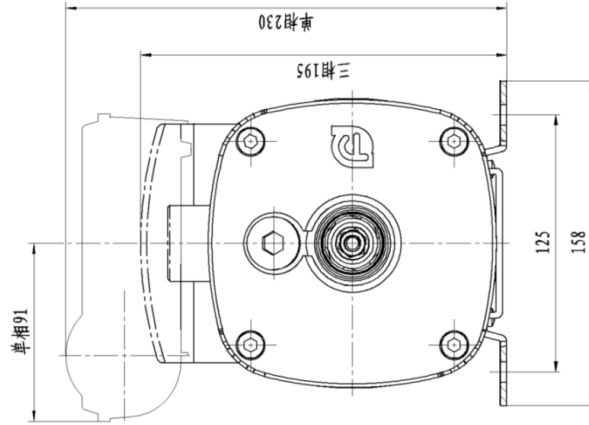


Dimension Drawing CHM4-5

| | |
|--------------|--------------------------------------|
| Manufacturer | CNP |
| Address | Yuhang District, Hangzhou, Zhejiang, |
| Contact | 86-571-88637351 |
| Date | 2022/03/07 |
| Client Name | DPA |
| Client Addr. | |
| Contacts | Alireza |
| Contact | |

Project Name

Item NO



CHM4-5

CNP 南方泵业

外形图

CHM4-5

| | | | |
|--------|-----|-----|----|
| 图样标记 | 重量 | 比例 | 页 |
| | | 1:2 | |
| 共 | 页 | 第 | 页 |
| | | | |
| 设计 | 校对 | 审核 | 工艺 |
| 更改文件名称 | 签字 | 日期 | |
| | 标准化 | 日期 | |
| | 审定 | 日期 | |

制图
审核
旧版图号
新版图号
签字
日期