
	<b>Product Information</b> <b>CHM20-1</b>	Manufacturer	CNP
		Address	Yuhang District, Hangzhou, Zhejiang,
<b>Project Name</b>		Contact	86-571-88637351
		Date	2022/03/07
		Client Name	DPA
<b>Item NO</b>		Client Addr.	
		Contacts	Alireza
		Contact	

Part NO.	1100082735
----------	------------

Product Picture	Note
	<p>Non-self-priming horizontal multistage centrifugal pump. The impeller guide vane is made of stainless steel plate stamping and welding. Equipped with long shaft motor, axial inlet and radial outlet.</p>

### technology

Pump rotator speed 2900

### Material

Impeller 304

Rubber code F

Material Code S

### Installation

Connection Code L

Installation type horizontal

Maximum Operation Pressure 10Bar

### Medium

Medium Temperature normal -15+70

Medium Temperature high t -15+105

Maximum Environment Temper 40

### Structure dimension

Inlet & outlet size types G

Inlet & Outlet Diameter G2/G2

Rotation Direction Clockwise

### Motor

Number of Motor Phase Three Phase

Protection Class IP55

Insulation Class F

Motor Power 1.1

Energy Efficiency Level IE2

### Seal

Mechanical Seal CHM-19/SB1F4

### Others

Weight (kg) 16

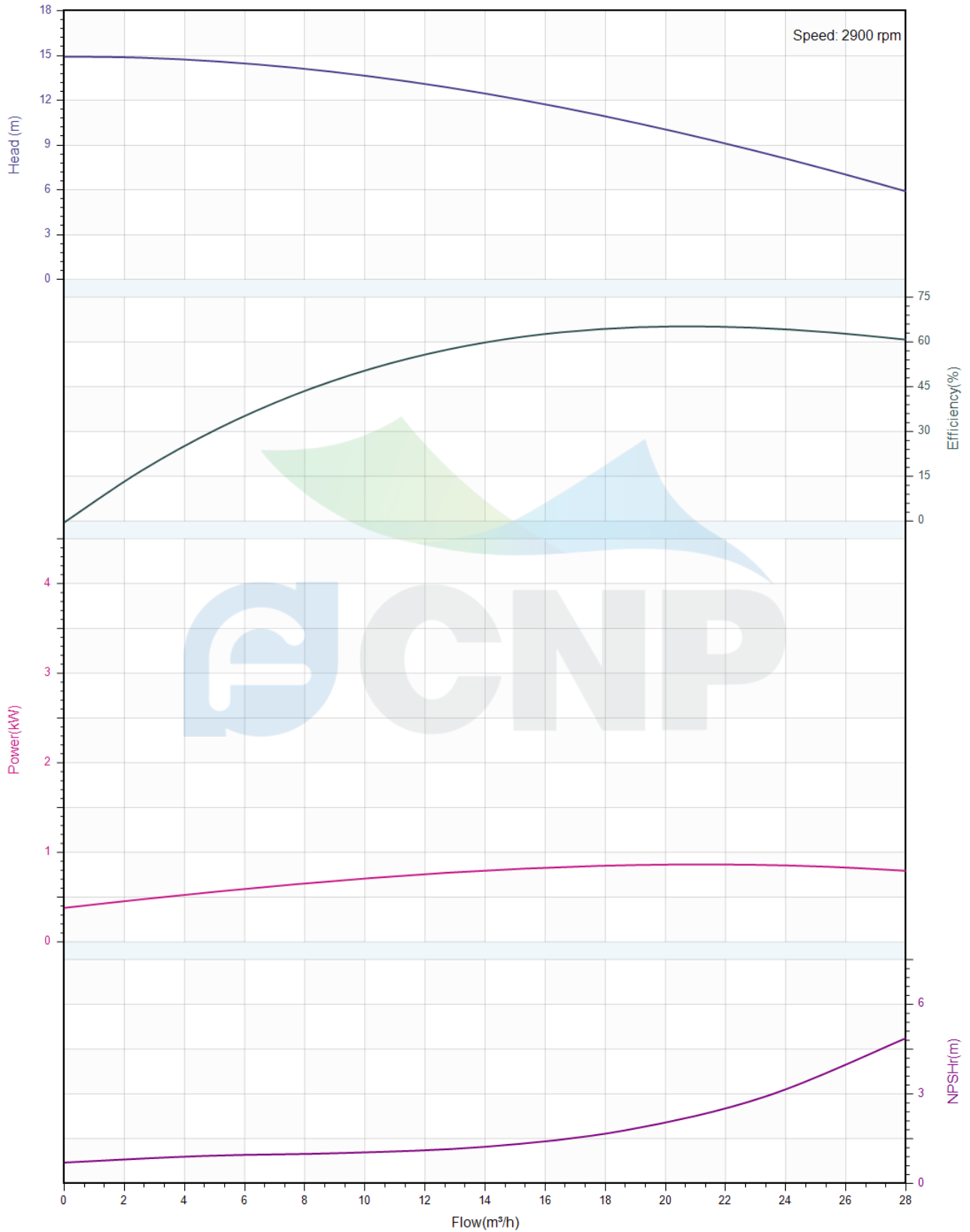


### Performance Curve CHM20-1

Manufacturer	CNP
Address	Yuhang District, Hangzhou, Zhejiang,
Contact	86-571-88637351
Date	2022/03/07
Client Name	DPA
Client Addr.	
Contacts	Alireza
Contact	

Project Name	
Item NO	

The hydraulic performance curve have been tested with Clean Water at 20°C, density 1000kg/m<sup>3</sup>, and at 1bar atmospheric pressure. ISO99062012 Grade 3B





## Pump Technical Parameters CHM20-1

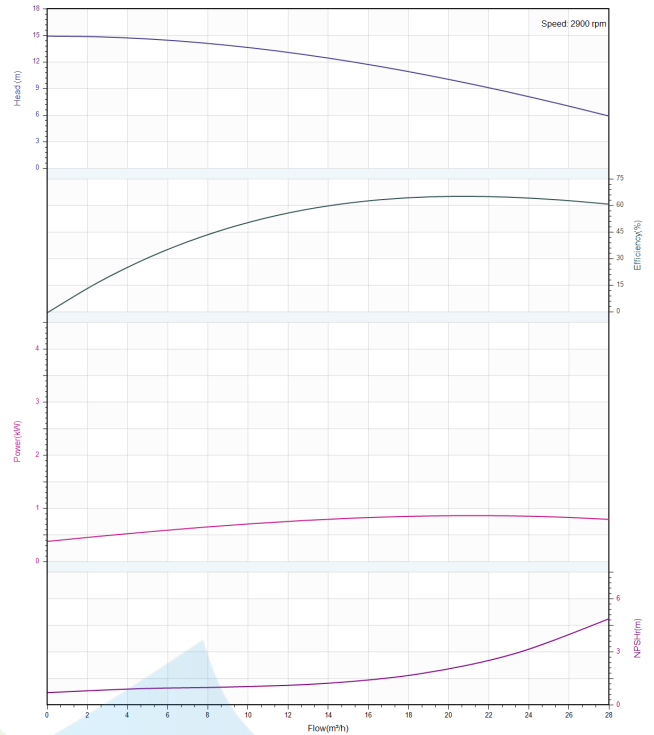
Manufacturer	CNP
Address	Yuhang District, Hangzhou, Zhejiang,
Contact	86-571-88637351
Date	2022/03/07
Client Name	DPA
Client Addr.	
Contacts	Alireza
Contact	


### Rated parameters

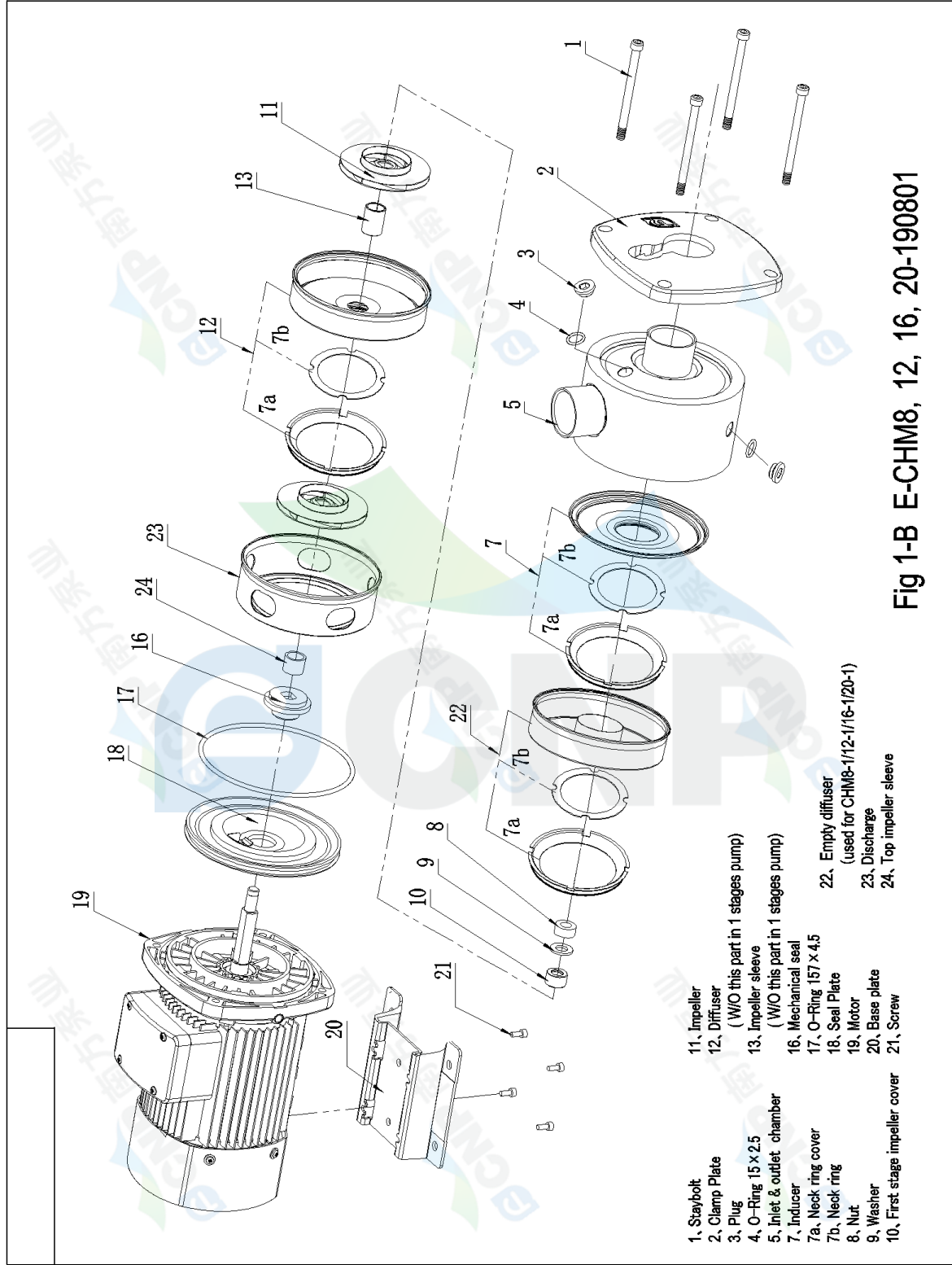
Pump model	CHM20-1
Part NO.	1100082735
Rated flow (m <sup>3</sup> /h)	20
Rated head (m)	10
Rated efficiency (%)	64
Power (kW)	0.852
NPSHr (m)	2.5
Speed (rpm)	2900
Max impeller diameter (mm)	106

### Medium

Pumped medium	Clean Water
Working temperature (°C)	20
Medium density (kg/m <sup>3</sup> )	1000
Viscosity (mm <sup>2</sup> /s)	1



	<b>Structure picture</b> <b>CHM20-1</b>	Manufacturer	CNP
		Address	Yuhang District, Hangzhou, Zhejiang,
Project Name		Contact	86-571-88637351
		Date	2022/03/07
Item NO		Client Name	DPA
		Client Addr.	
		Contacts	Alireza
		Contact	



**Fig 1-B E-CHM8, 12, 16, 20-190801**

描 图	
描 校	
旧底图总号	
底 图 总 号	
签 字	
日 期	

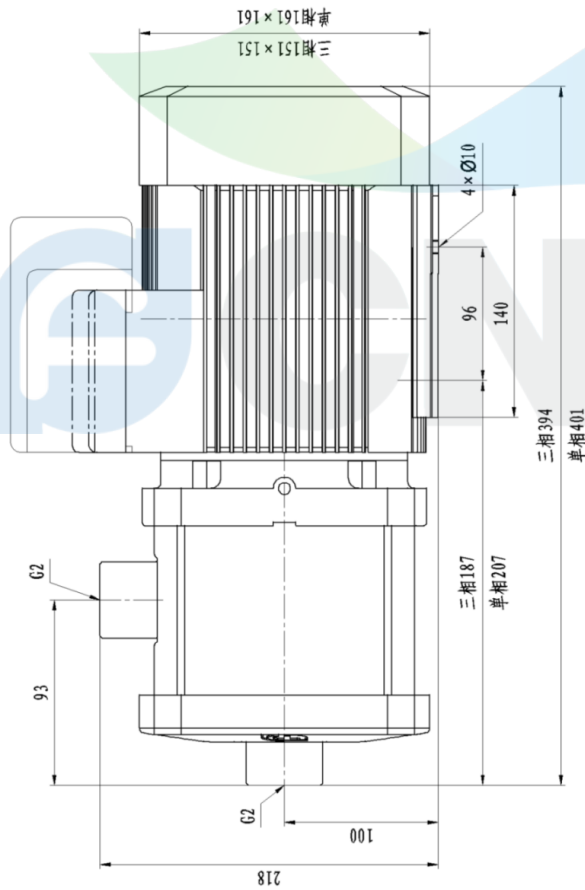
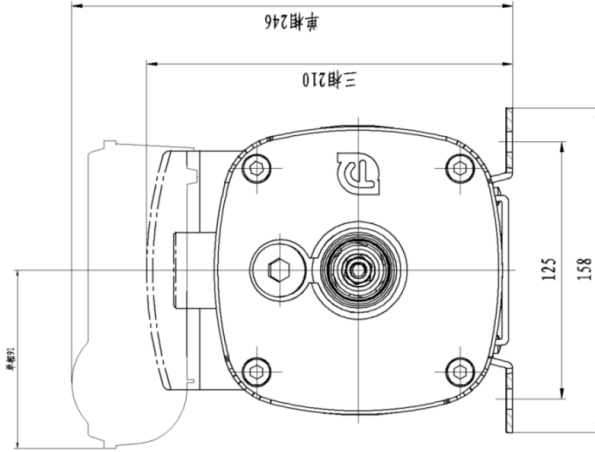


## Dimension Drawing CHM20-1

Manufacturer	CNP
Address	Yuhang District, Hangzhou, Zhejiang,
Contact	86-571-88637351
Date	2022/03/07
Client Name	DPA
Client Addr.	
Contacts	Alireza
Contact	

Project Name

Item NO



CHM20-1


CNP 南方泵业

外形图

CHM20-1

图样标记	重量	比例	共	页	第	页
		1:2				
设计	校对	审核	工艺	日期	日期	日期
更改文件名称	签字	日期				

制图  
 审核  
 旧版图号  
 新版图号  
 签字  
 日期

	<b>Order Data</b> <b>CHM20-1</b>	Manufacturer	CNP
		Address	Yuhang District, Hangzhou, Zhejiang,
		Contact	86-571-88637351
		Date	2022/03/07
<b>Project Name</b>		Client Name	DPA
		Client Addr.	
<b>Item NO</b>		Contacts	Alireza
		Contact	

Pump model                    CHM20-1  
 Part NO.                        1100082735  
 Product price  
 Quantity                        1  
 Total price

Inquiry notes

