



|                                                                                  |                                                 |              |                                      |
|----------------------------------------------------------------------------------|-------------------------------------------------|--------------|--------------------------------------|
|  | <b>Product Information</b><br><br><b>CHM2-5</b> | Manufacturer | CNP                                  |
|                                                                                  |                                                 | Address      | Yuhang District, Hangzhou, Zhejiang, |
| Project Name                                                                     |                                                 | Contact      | 86-571-88637351                      |
|                                                                                  |                                                 | Date         | 2022/03/07                           |
| Item NO                                                                          |                                                 | Client Name  | DPA                                  |
|                                                                                  |                                                 | Client Addr. |                                      |
|                                                                                  |                                                 | Contacts     | Alireza                              |
|                                                                                  |                                                 | Contact      |                                      |

|          |            |
|----------|------------|
| Part NO. | 1100070122 |
|----------|------------|

| Product Picture                                                                   | Note                                                                                                                                                                                                          |
|-----------------------------------------------------------------------------------|---------------------------------------------------------------------------------------------------------------------------------------------------------------------------------------------------------------|
|  | <p>Non-self-priming horizontal multistage centrifugal pump. The impeller guide vane is made of stainless steel plate stamping and welding. Equipped with long shaft motor, axial inlet and radial outlet.</p> |

|                            |              |
|----------------------------|--------------|
| <b>technology</b>          |              |
| Pump rotator speed         | 2900         |
| <b>Material</b>            |              |
| Impeller                   | 304          |
| Rubber code                | F            |
| Material Code              | S            |
| <b>Installation</b>        |              |
| Connection Code            | L            |
| Installation type          | horizontal   |
| Maximum Operation Pressure | 10Bar        |
| <b>Medium</b>              |              |
| Medium Temperature normal  | -15+70       |
| Medium Temperature high t  | -15+105      |
| Maximum Environment Temper | 40           |
| <b>Structure dimension</b> |              |
| Inlet & outlet size types  | G            |
| Inlet & Outlet Diameter    | G1/G1        |
| Rotation Direction         | Clockwise    |
| <b>Motor</b>               |              |
| Number of Motor Phase      | Three Phase  |
| Protection Class           | IP55         |
| Insulation Class           | F            |
| Motor Power                | 0.55         |
| Energy Efficiency Level    | IE2          |
| <b>Seal</b>                |              |
| Mechanical Seal            | CHM-14/SB1F4 |
| <b>Others</b>              |              |
| Weight (kg)                | 15           |



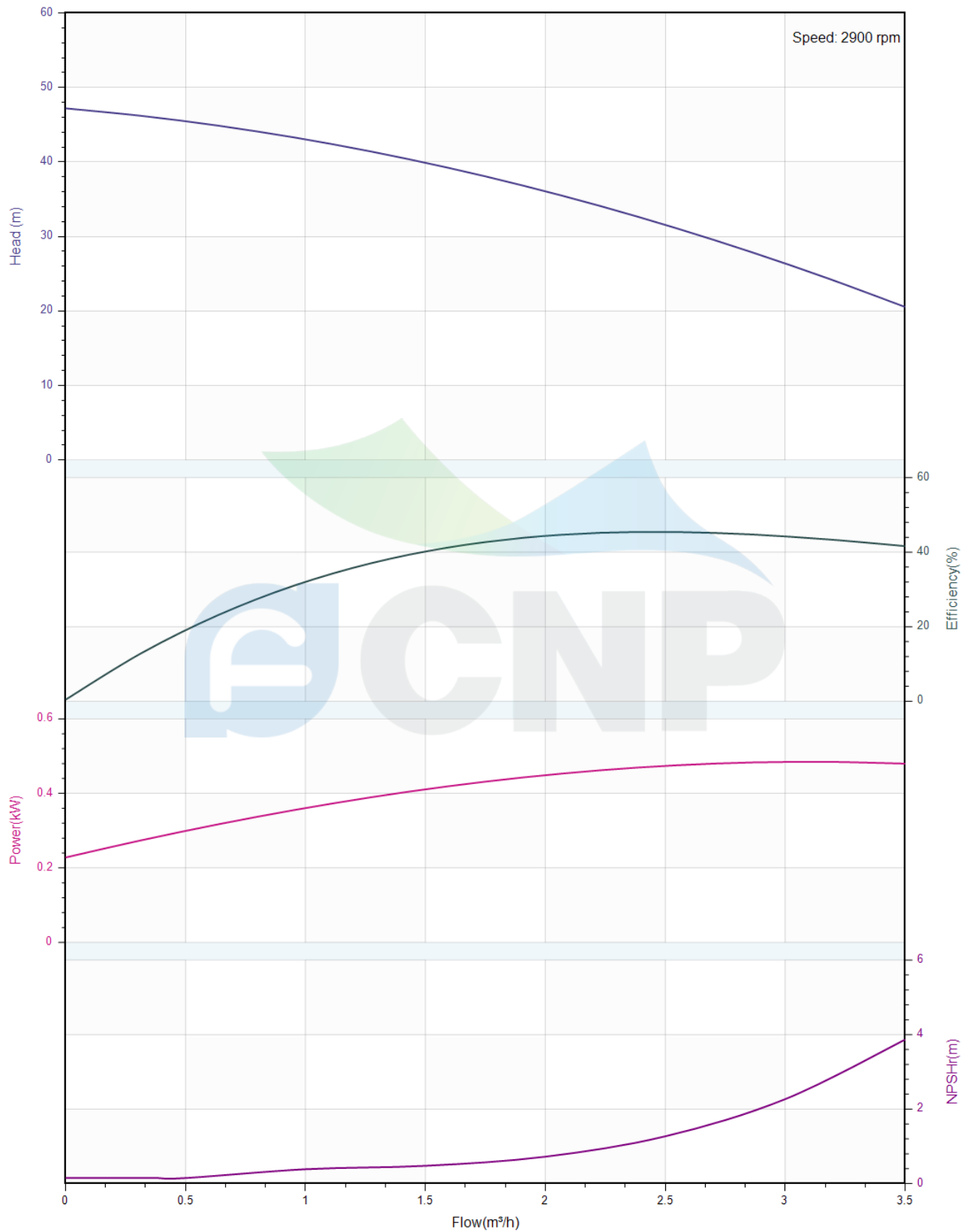
### Performance Curve CHM2-5


|              |                                      |
|--------------|--------------------------------------|
| Manufacturer | CNP                                  |
| Address      | Yuhang District, Hangzhou, Zhejiang, |
| Contact      | 86-571-88637351                      |
| Date         | 2022/03/07                           |
| Client Name  | DPA                                  |
| Client Addr. |                                      |
| Contacts     | Alireza                              |
| Contact      |                                      |

Project Name

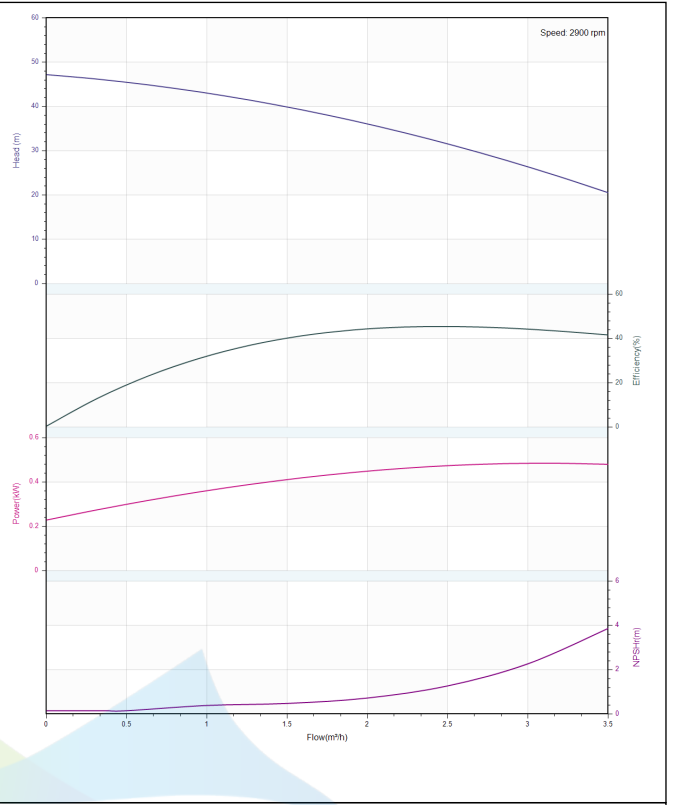
Item NO

The hydraulic performance curve have been tested with Clean Water at 20°C, density 1000kg/m<sup>3</sup>, and at 1bar atmospheric pressure. ISO99062012 Grade 3B



|                                                                                  |                                                   |              |                                      |
|----------------------------------------------------------------------------------|---------------------------------------------------|--------------|--------------------------------------|
|  | <b>Pump Technical Parameters</b><br><b>CHM2-5</b> | Manufacturer | CNP                                  |
|                                                                                  |                                                   | Address      | Yuhang District, Hangzhou, Zhejiang, |
| Project Name                                                                     |                                                   | Contact      | 86-571-88637351                      |
|                                                                                  |                                                   | Date         | 2022/03/07                           |
| Item NO                                                                          |                                                   | Client Name  | DPA                                  |
|                                                                                  |                                                   | Client Addr. |                                      |
|                                                                                  |                                                   | Contacts     | Alireza                              |
|                                                                                  |                                                   | Contact      |                                      |

| Rated parameters                    |             |
|-------------------------------------|-------------|
| Pump model                          | CHM2-5      |
| Part NO.                            | 1100070122  |
| Rated flow (m <sup>3</sup> /h)      | 2           |
| Rated head (m)                      | 36          |
| Rated efficiency (%)                | 41          |
| Power (kW)                          | 0.479       |
| NPSHr (m)                           | 2           |
| Speed (rpm)                         | 2900        |
| Max impeller diameter (mm)          | 90          |
| Medium                              |             |
| Pumped medium                       | Clean Water |
| Working temperature (°C)            | 20          |
| Medium density (kg/m <sup>3</sup> ) | 1000        |
| Viscosity (mm <sup>2</sup> /s)      | 1           |



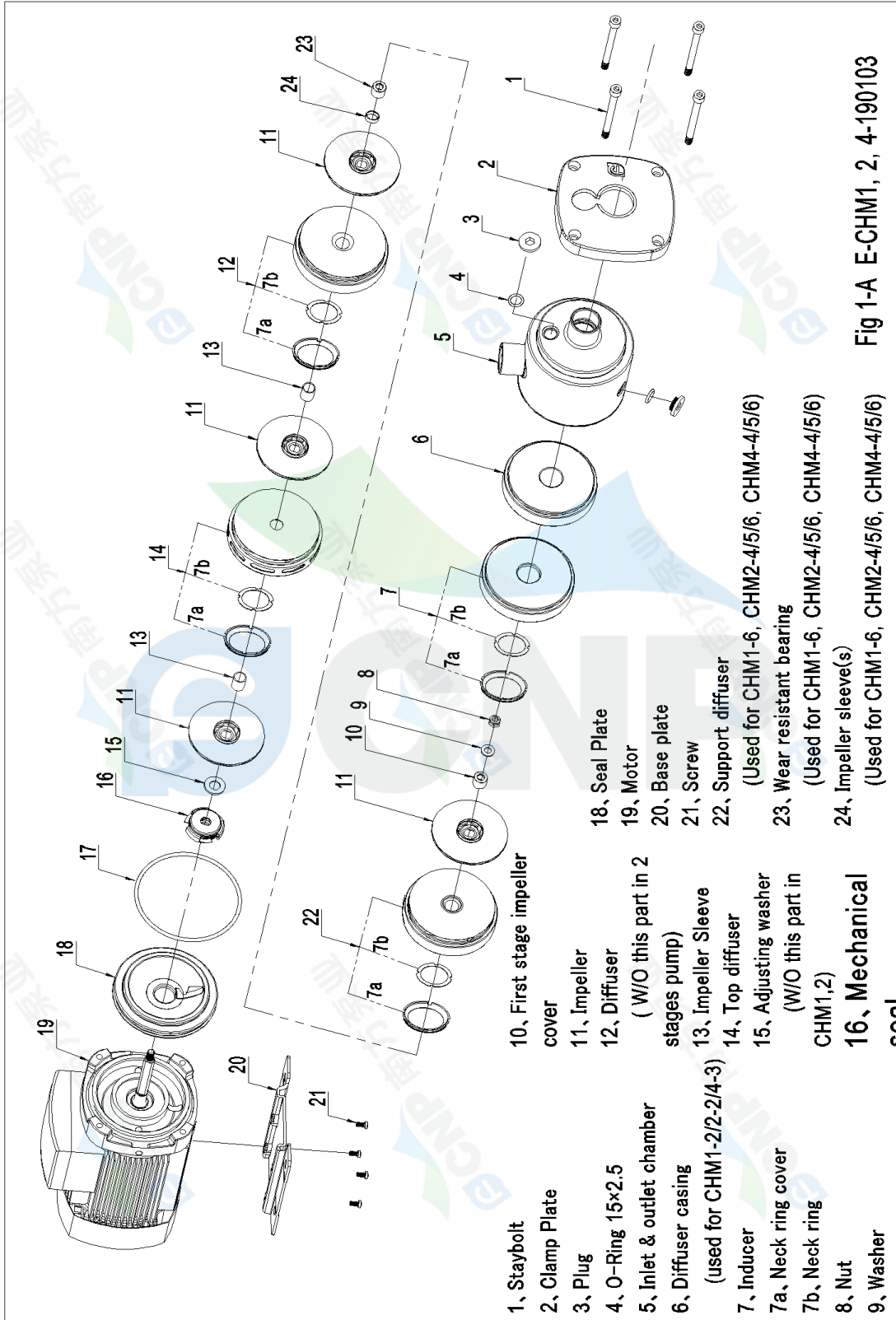


**Structure picture**  
**CHM2-5**

|              |                                      |
|--------------|--------------------------------------|
| Manufacturer | CNP                                  |
| Address      | Yuhang District, Hangzhou, Zhejiang, |
| Contact      | 86-571-88637351                      |
| Date         | 2022/03/07                           |
| Client Name  | DPA                                  |
| Client Addr. |                                      |
| Contacts     | Alireza                              |
| Contact      |                                      |

Project Name

Item NO



- 1, Staybolt
- 2, Clamp Plate
- 3, Plug
- 4, O-Ring 15x2.5
- 5, Inlet & outlet chamber
- 6, Diffuser casing (used for CHM1-2/2-2/4-3)
- 7, Inducer
- 7a, Neck ring cover
- 7b, Neck ring
- 8, Nut
- 9, Washer
- 10, First stage impeller cover
- 11, Impeller (W/O this part in 2 stages pump)
- 12, Diffuser (W/O this part in 2 stages pump)
- 13, Impeller Sleeve (used for CHM1-2/2-2/4-3)
- 14, Top diffuser
- 15, Adjusting washer (W/O this part in CHM1,2)
- 16, Mechanical seal
- 17, O-Ring 115 x 3.55
- 18, Seal Plate
- 19, Motor
- 20, Base plate
- 21, Screw
- 22, Support diffuser (Used for CHM1-6, CHM2-4/5/6, CHM4-4/5/6)
- 23, Wear resistant bearing (Used for CHM1-6, CHM2-4/5/6, CHM4-4/5/6)
- 24, Impeller sleeve(s) (Used for CHM1-6, CHM2-4/5/6, CHM4-4/5/6)

**Fig 1-A E-CHM1, 2, 4-190103**



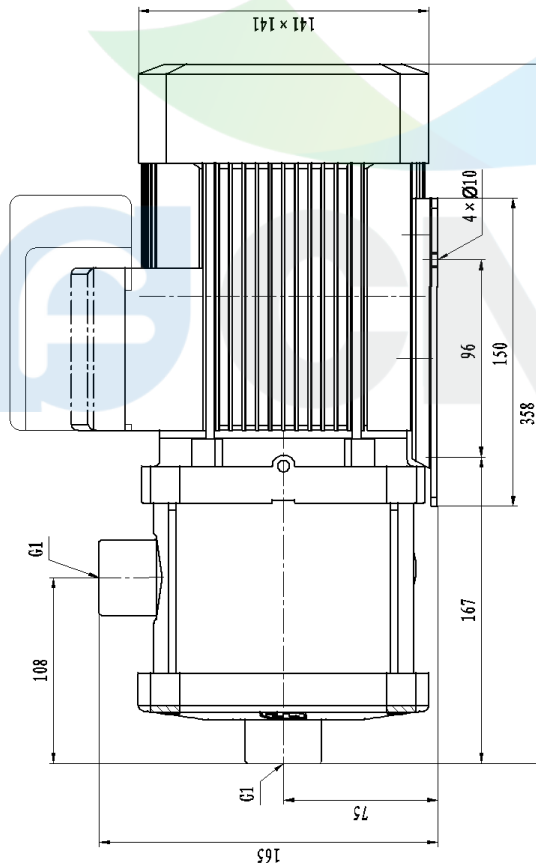
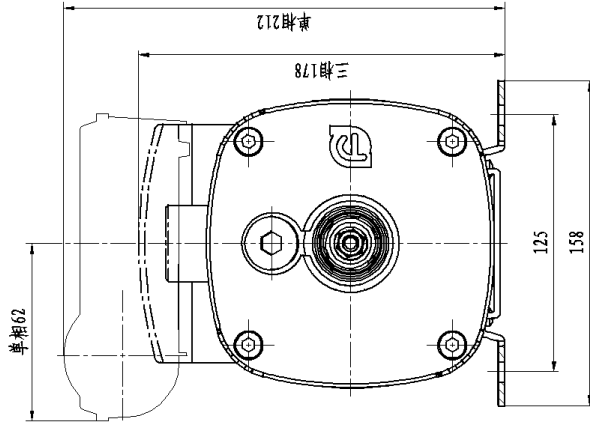
## Dimension Drawing

### CHM2-5

|              |                                      |
|--------------|--------------------------------------|
| Manufacturer | CNP                                  |
| Address      | Yuhang District, Hangzhou, Zhejiang, |
| Contact      | 86-571-88637351                      |
| Date         | 2022/03/07                           |
| Client Name  | DPA                                  |
| Client Addr. |                                      |
| Contacts     | Alireza                              |
| Contact      |                                      |

Project Name

Item NO



CHM2-5

**南方泵业**

外形图

CHM2-5

|         |     |     |
|---------|-----|-----|
| 图 样 标 记 | 重 量 | 比 例 |
| 共       | 第   | 1:2 |
| 页       | 页   |     |
| 共       | 页   |     |
| 第       | 页   |     |
| 共       | 页   |     |

|    |    |    |
|----|----|----|
| 设计 | 审核 | 日期 |
| 校对 | 审定 |    |
| 工艺 | 日期 |    |

|      |       |    |    |
|------|-------|----|----|
| 修改内容 | 更改文件名 | 签字 | 日期 |
|      |       |    |    |

|         |  |
|---------|--|
| 推 图     |  |
| 描 绘     |  |
| 图 底 图 号 |  |
| 图 号 总 号 |  |
| 签 字     |  |
| 日 期     |  |