
	Product Information CHM2-4	Manufacturer	CNP
		Address	Yuhang District, Hangzhou, Zhejiang,
Project Name		Contact	86-571-88637351
		Date	2022/03/07
		Client Name	DPA
Item NO		Client Addr.	
		Contacts	Alireza
		Contact	

Part NO.	1100070120
----------	------------

Product Picture	Note
	<p>Non-self-priming horizontal multistage centrifugal pump. The impeller guide vane is made of stainless steel plate stamping and welding. Equipped with long shaft motor, axial inlet and radial outlet.</p>

technology

Pump rotator speed 2900

Material

Impeller 304

Rubber code F

Material Code S

Installation

Connection Code L

Installation type horizontal

Maximum Operation Pressure 10Bar

Medium

Medium Temperature normal -15+70

Medium Temperature high t -15+105

Maximum Environment Temper 40

Structure dimension

Inlet & outlet size types G

Inlet & Outlet Diameter G1/G1

Rotation Direction Clockwise

Motor

Number of Motor Phase Three Phase

Protection Class IP55

Insulation Class F

Motor Power 0.55

Energy Efficiency Level IE2

Seal

Mechanical Seal CHM-14/SB1F4

Others

Weight (kg) 14



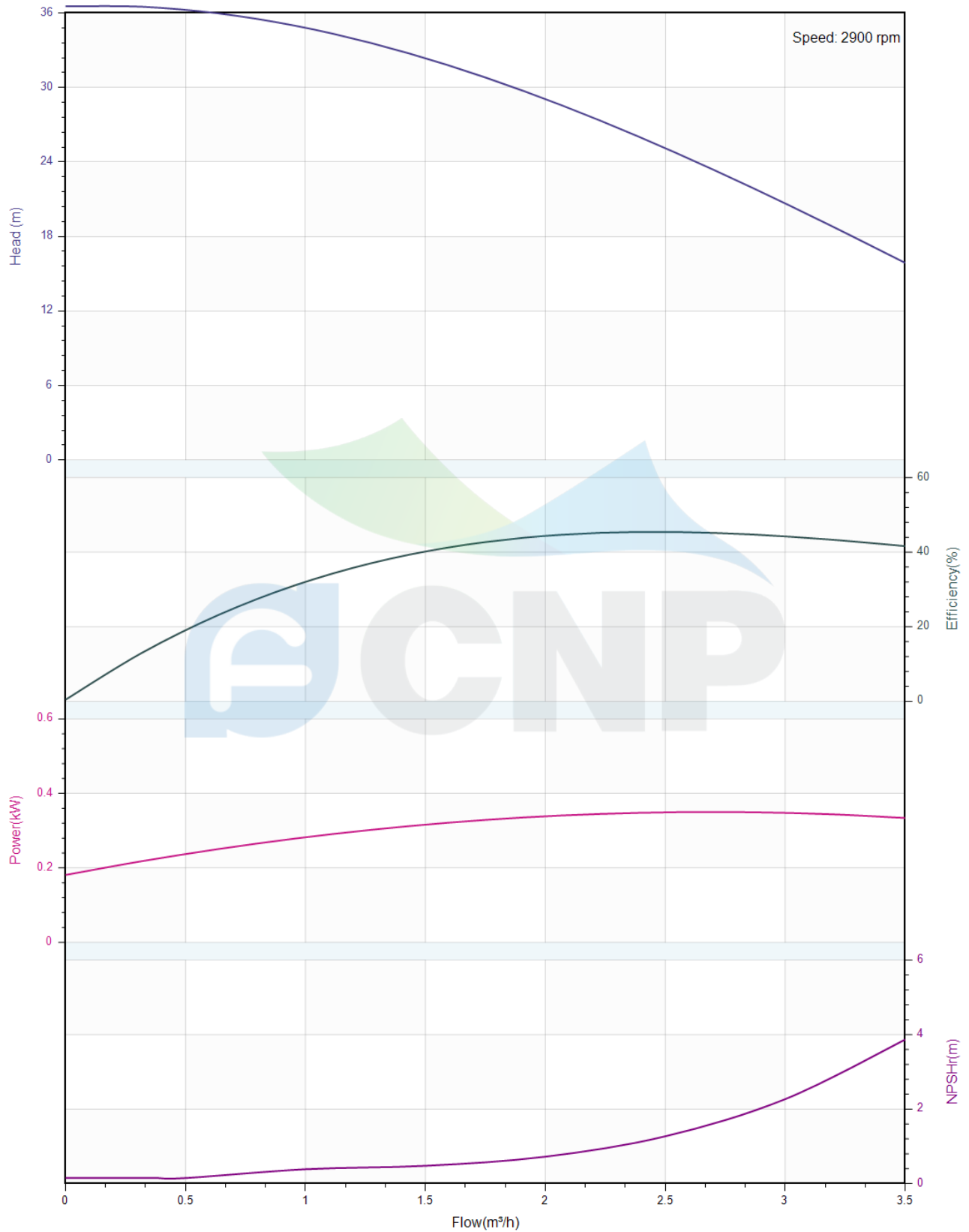
Performance Curve CHM2-4

Manufacturer	CNP
Address	Yuhang District, Hangzhou, Zhejiang,
Contact	86-571-88637351
Date	2022/03/07
Client Name	DPA
Client Addr.	
Contacts	Alireza
Contact	

Project Name

Item NO

The hydraulic performance curve have been tested with Clean Water at 20°C, density 1000kg/m³, and at 1bar atmospheric pressure. ISO99062012 Grade 3B





Pump Technical Parameters CHM2-4

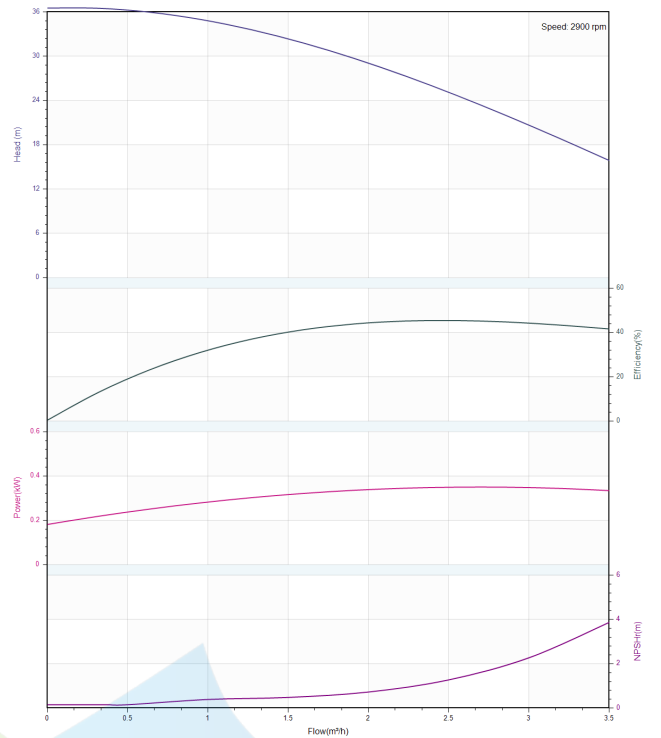
Manufacturer	CNP
Address	Yuhang District, Hangzhou, Zhejiang,
Contact	86-571-88637351
Date	2022/03/07
Client Name	DPA
Client Addr.	
Contacts	Alireza
Contact	


Rated parameters

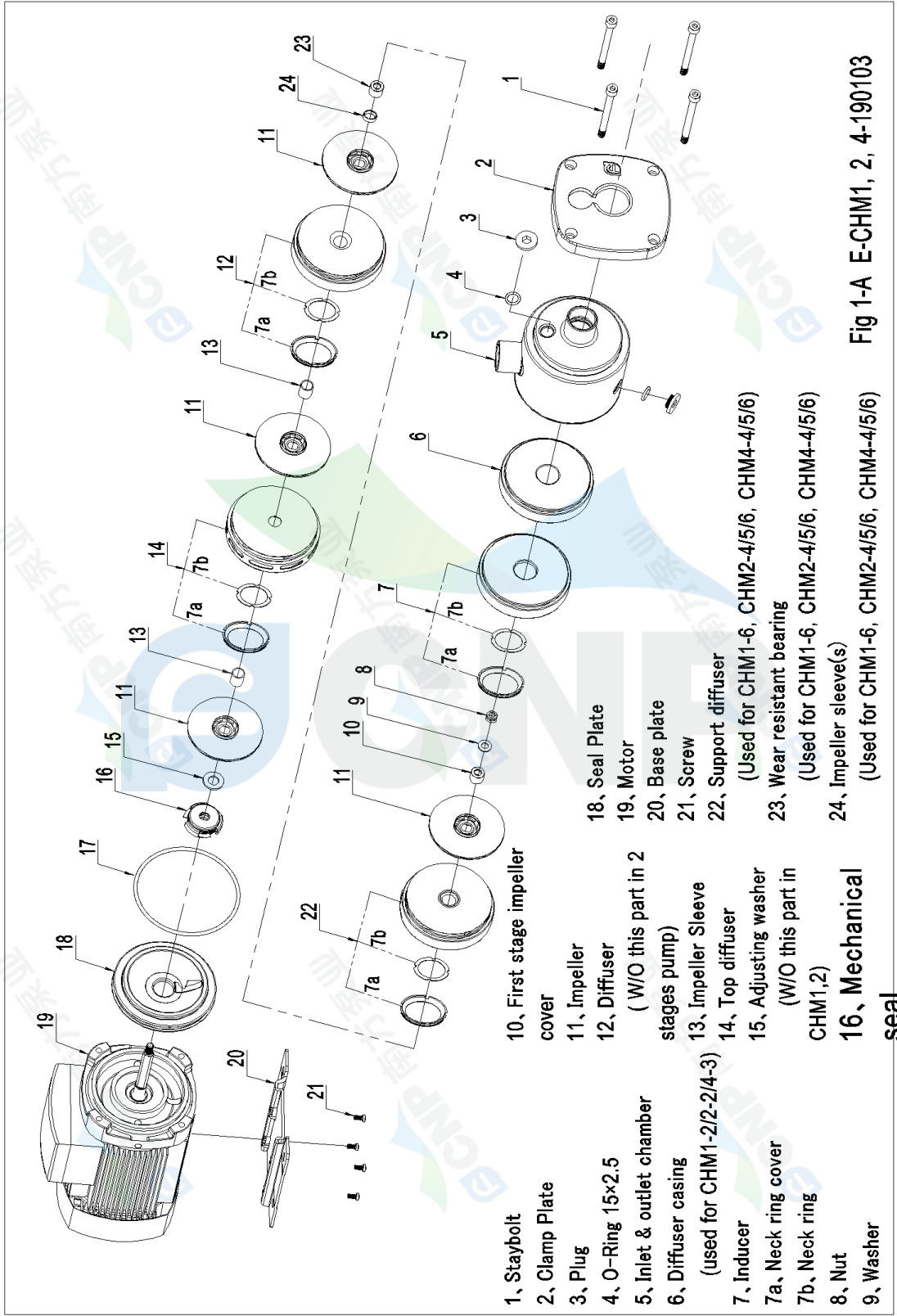
Pump model	CHM2-4
Part NO.	1100070120
Rated flow (m ³ /h)	2
Rated head (m)	29
Rated efficiency (%)	41
Power (kW)	0.385
NPSHr (m)	2
Speed (rpm)	2900
Max impeller diameter (mm)	90

Medium

Pumped medium	Clean Water
Working temperature (°C)	20
Medium density (kg/m ³)	1000
Viscosity (mm ² /s)	1



	Structure picture CHM2-4	Manufacturer	CNP
		Address	Yuhang District, Hangzhou, Zhejiang,
Project Name		Contact	86-571-88637351
		Date	2022/03/07
Item NO		Client Name	DPA
		Client Addr.	
		Contacts	Alireza
		Contact	



- 1, Staybolt
- 2, Clamp Plate
- 3, Plug
- 4, O-Ring 15x2.5
- 5, Inlet & outlet chamber
- 6, Diffuser casing (used for CHM1-2/2-2/4-3)
- 7, Inducer
- 7a, Neck ring cover
- 7b, Neck ring
- 8, Nut
- 9, Washer
- 10, First stage impeller cover
- 11, Impeller (W/O this part in 2 stages pump)
- 12, Diffuser
- 13, Impeller Sleeve (used for CHM1-2/2-2/4-3)
- 14, Top diffuser
- 15, Adjusting washer (W/O this part in CHM1,2)
- 16, Mechanical seal
- 17, O-Ring 115 x 3.55
- 18, Seal Plate
- 19, Motor
- 20, Base plate
- 21, Screw
- 22, Support diffuser (Used for CHM1-6, CHM2-4/5/6, CHM4-4/5/6)
- 23, Wear resistant bearing (Used for CHM1-6, CHM2-4/5/6, CHM4-4/5/6)
- 24, Impeller sleeve(s) (Used for CHM1-6, CHM2-4/5/6, CHM4-4/5/6)

Fig 1-A E-CHM1, 2, 4-190103

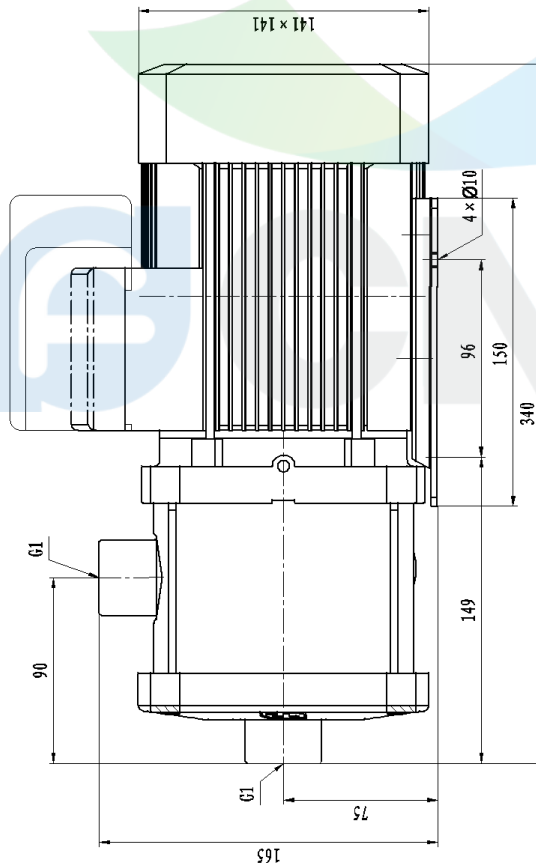
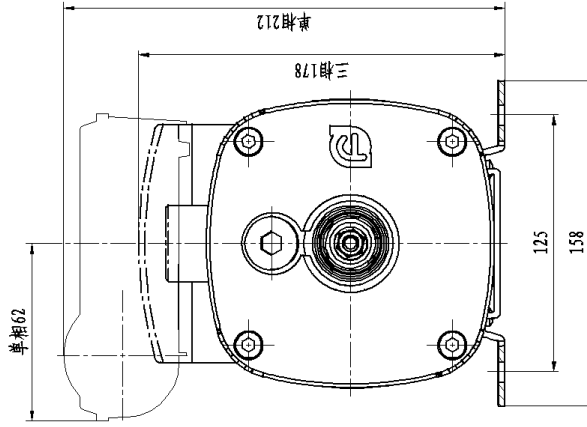


Dimension Drawing

CHM2-4

Manufacturer	CNP
Address	Yuhang District, Hangzhou, Zhejiang,
Contact	86-571-88637351
Date	2022/03/07
Client Name	DPA
Client Addr.	
Contacts	Alireza
Contact	

Project Name	
Item NO	



外形图

CHM2-4

图样	记录	审核	设计	标注	日期	比例	重量	比例
						1:2		1:2
共		页	页	页	页			
CNCP 南方泵业								

CHM2-4

日期	
签字	
图号	
图号	
图号	
图号	
图号	