
	Product Information CHM15-1	Manufacturer	CNP
		Address	Yuhang District, Hangzhou, Zhejiang,
Project Name		Contact	86-571-88637351
		Date	2022/03/07
Item NO		Client Name	DPA
		Client Addr.	
		Contacts	Alireza
		Contact	

Part NO.	1100154517
----------	------------

Product Picture	Note
	<p>Non-self-priming horizontal multistage centrifugal pump. The impeller guide vane is made of stainless steel plate stamping and welding. Equipped with long shaft motor, axial inlet and radial outlet.</p>

technology	
Pump rotator speed	2900
Material	
Impeller	304
Rubber code	F
Material Code	S
Installation	
Connection Code	L
Installation type	horizontal
Maximum Operation Pressure	10Bar
Medium	
Medium Temperature normal	-15+70
Medium Temperature high t	-15+105
Maximum Environment Temper	40
Structure dimension	
Inlet & outlet size types	G
Inlet & Outlet Diameter	G2/G2
Rotation Direction	Clockwise
Motor	
Number of Motor Phase	Three Phase
Protection Class	IP55
Insulation Class	F
Motor Power	1.1
Energy Efficiency Level	IE2
Seal	
Mechanical Seal	CHM-19/SB1F4
Others	
Weight (kg)	16



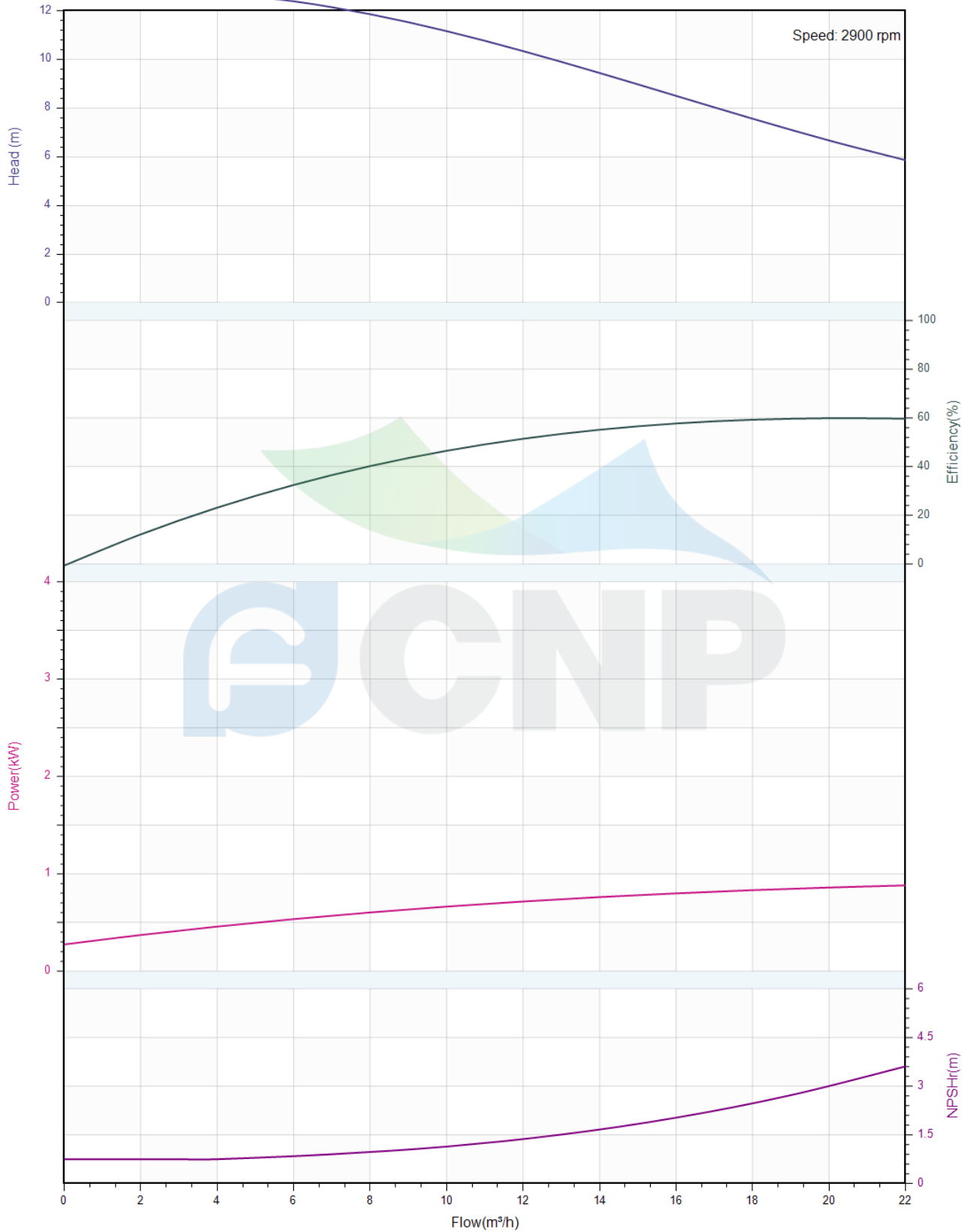
Performance Curve CHM15-1

Manufacturer	CNP
Address	Yuhang District, Hangzhou, Zhejiang,
Contact	86-571-88637351
Date	2022/03/07
Client Name	DPA
Client Addr.	
Contacts	Alireza
Contact	

Project Name

Item NO

The hydraulic performance curve have been tested with Clean Water at 20°C, density 1000kg/m³, and at 1bar atmospheric pressure. ISO99062012 Grade 3B





Pump Technical Parameters CHM15-1

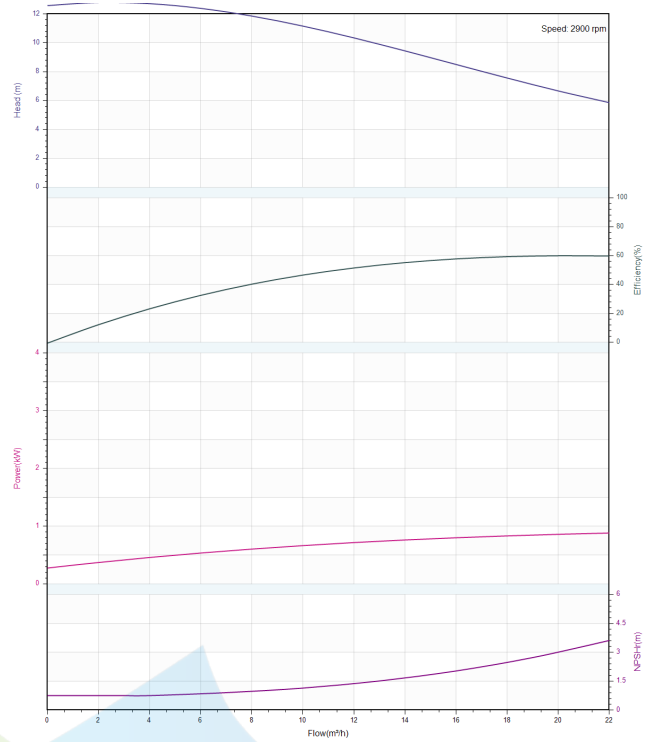
Manufacturer	CNP
Address	Yuhang District, Hangzhou, Zhejiang,
Contact	86-571-88637351
Date	2022/03/07
Client Name	DPA
Client Addr.	
Contacts	Alireza
Contact	


Rated parameters

Pump model	CHM15-1
Part NO.	1100154517
Rated flow (m ³ /h)	15
Rated head (m)	9
Rated efficiency (%)	66
Power (kW)	0.56
NPSHr (m)	2.5
Speed (rpm)	2900
Max impeller diameter (mm)	104.8

Medium

Pumped medium	Clean Water
Working temperature (°C)	20
Medium density (kg/m ³)	1000
Viscosity (mm ² /s)	1



	Structure picture CHM15-1	Manufacturer	CNP
		Address	Yuhang District, Hangzhou, Zhejiang,
Project Name		Contact	86-571-88637351
		Date	2022/03/07
Item NO		Client Name	DPA
		Client Addr.	
		Contacts	Alireza
		Contact	

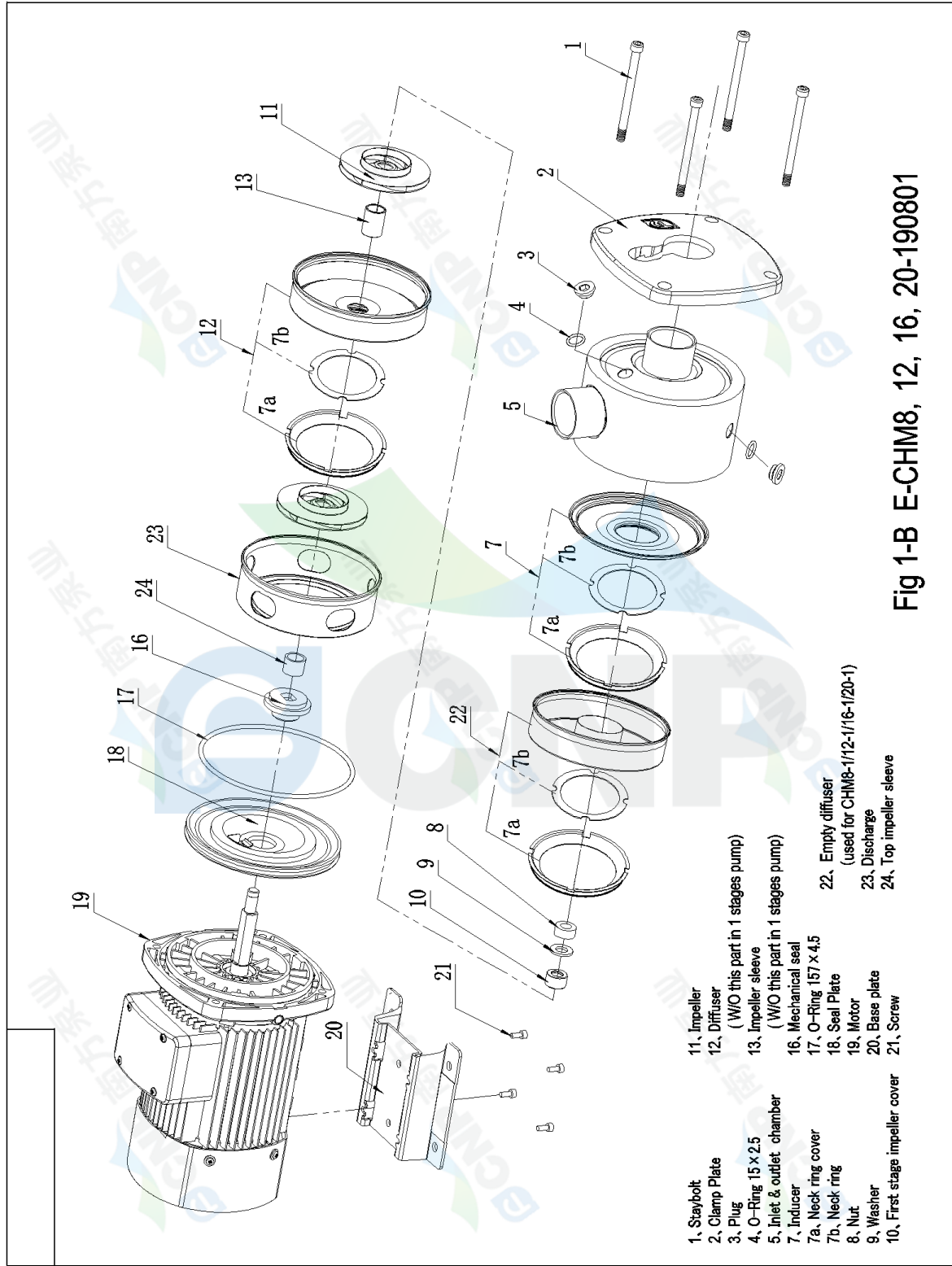

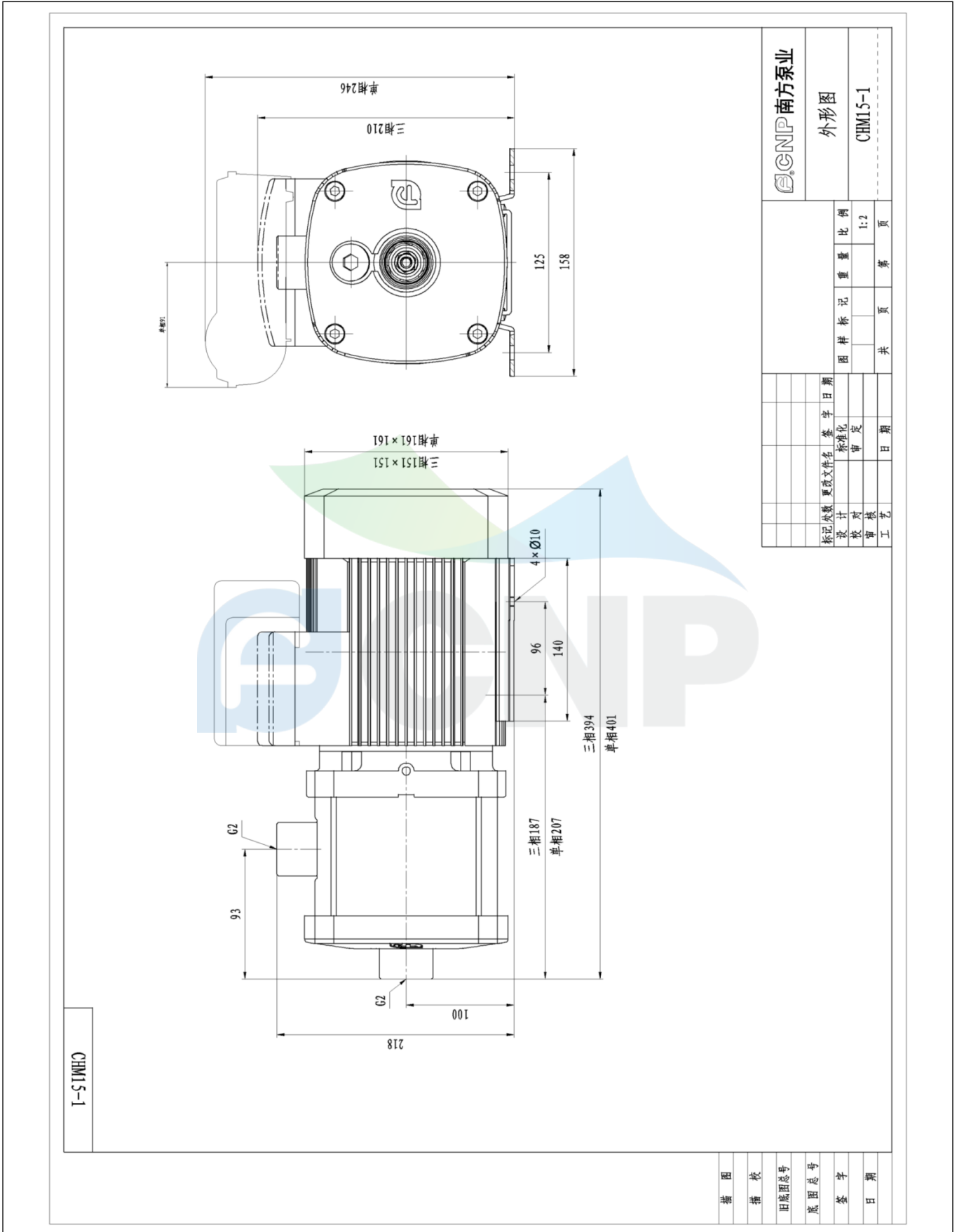



Fig 1-B E-CHM8, 12, 16, 20-190801

- | | |
|--------------------------------|---|
| 1, Staybolt | 11, Impeller |
| 2, Clamp Plate | 12, Diffuser
(W/O this part in 1 stages pump) |
| 3, Plug | 13, Impeller sleeve
(W/O this part in 1 stages pump) |
| 4, O-Ring 15 x 2.5 | 16, Mechanical seal |
| 5, Inlet & outlet chamber | 17, O-Ring 157 x 4.5 |
| 7, Inducer | 18, Seal Plate |
| 7a, Neck ring cover | 19, Motor |
| 7b, Neck ring | 20, Base plate |
| 8, Nut | 21, Screw |
| 9, Washer | 22, Empty diffuser
(used for CHM8-1/12-1/16-1/20-1) |
| 10, First stage impeller cover | 23, Discharge |
| | 24, Top impeller sleeve |

描 图	
描 校	
旧底图总号	
底 图 总 号	
签 字	
日 期	

	Dimension Drawing CHM15-1	Manufacturer	CNP
		Address	Yuhang District, Hangzhou, Zhejiang,
		Contact	86-571-88637351
		Date	2022/03/07
Project Name		Client Name	DPA
Item NO		Client Addr.	
		Contacts	Alireza
		Contact	



 南方泵业	
外形图	
CHM15-1	
图样标记	比例
重量	1:2
共 页	第 页
设计	日期
校对	日期
审核	日期
工艺	日期
更改文件名称	签字
日期	日期

制图	日期
审核	日期
旧版图号	日期
新版图号	日期
签字	日期
日期	日期