
	Product Information CHM12-4	Manufacturer	CNP
		Address	Yuhang District, Hangzhou, Zhejiang,
Project Name		Contact	86-571-88637351
		Date	2022/03/07
		Client Name	DPA
Item NO		Client Addr.	
		Contacts	Alireza
		Contact	

Part NO.	1100082725
----------	------------

Product Picture	Note
	<p>Non-self-priming horizontal multistage centrifugal pump. The impeller guide vane is made of stainless steel plate stamping and welding. Equipped with long shaft motor, axial inlet and radial outlet.</p>

technology	
Pump rotator speed	2900
Material	
Impeller	304
Rubber code	F
Material Code	S
Installation	
Connection Code	L
Installation type	horizontal
Maximum Operation Pressure	10Bar
Medium	
Medium Temperature normal	-15+70
Medium Temperature high t	-15+105
Maximum Environment Temper	40
Structure dimension	
Inlet & outlet size types	G
Inlet & Outlet Diameter	G1½/G1½
Rotation Direction	Clockwise
Motor	
Number of Motor Phase	Three Phase
Protection Class	IP55
Insulation Class	F
Motor Power	2.4
Energy Efficiency Level	IE2
Seal	
Mechanical Seal	CHM-19/SB1F4
Others	
Weight (kg)	25

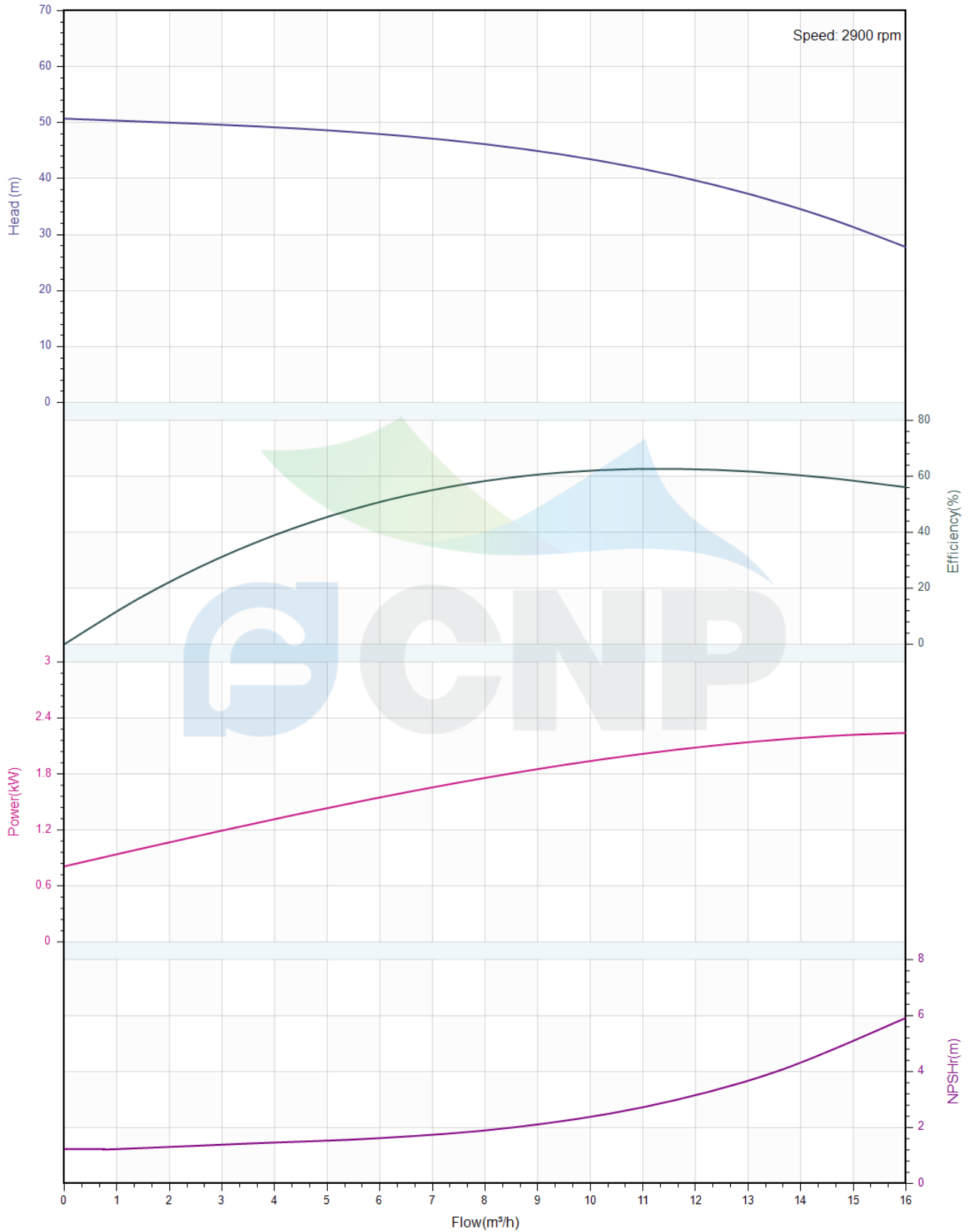


Performance Curve CHM12-4

Manufacturer	CNP
Address	Yuhang District, Hangzhou, Zhejiang,
Contact	86-571-88637351
Date	2022/03/07
Client Name	DPA
Client Addr.	
Contacts	Alireza
Contact	

Project Name	
Item NO	

The hydraulic performance curve have been tested with Clean Water at 20°C, density 1000kg/m³, and at 1bar atmospheric pressure. ISO99062012 Grade 3B





Pump Technical Parameters CHM12-4

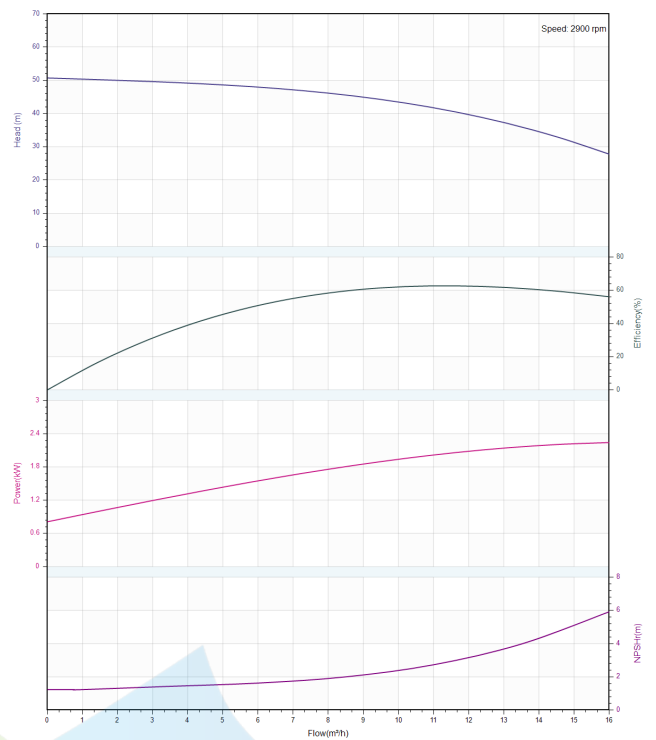
Manufacturer	CNP
Address	Yuhang District, Hangzhou, Zhejiang,
Contact	86-571-88637351
Date	2022/03/07
Client Name	DPA
Client Addr.	
Contacts	Alireza
Contact	


Rated parameters

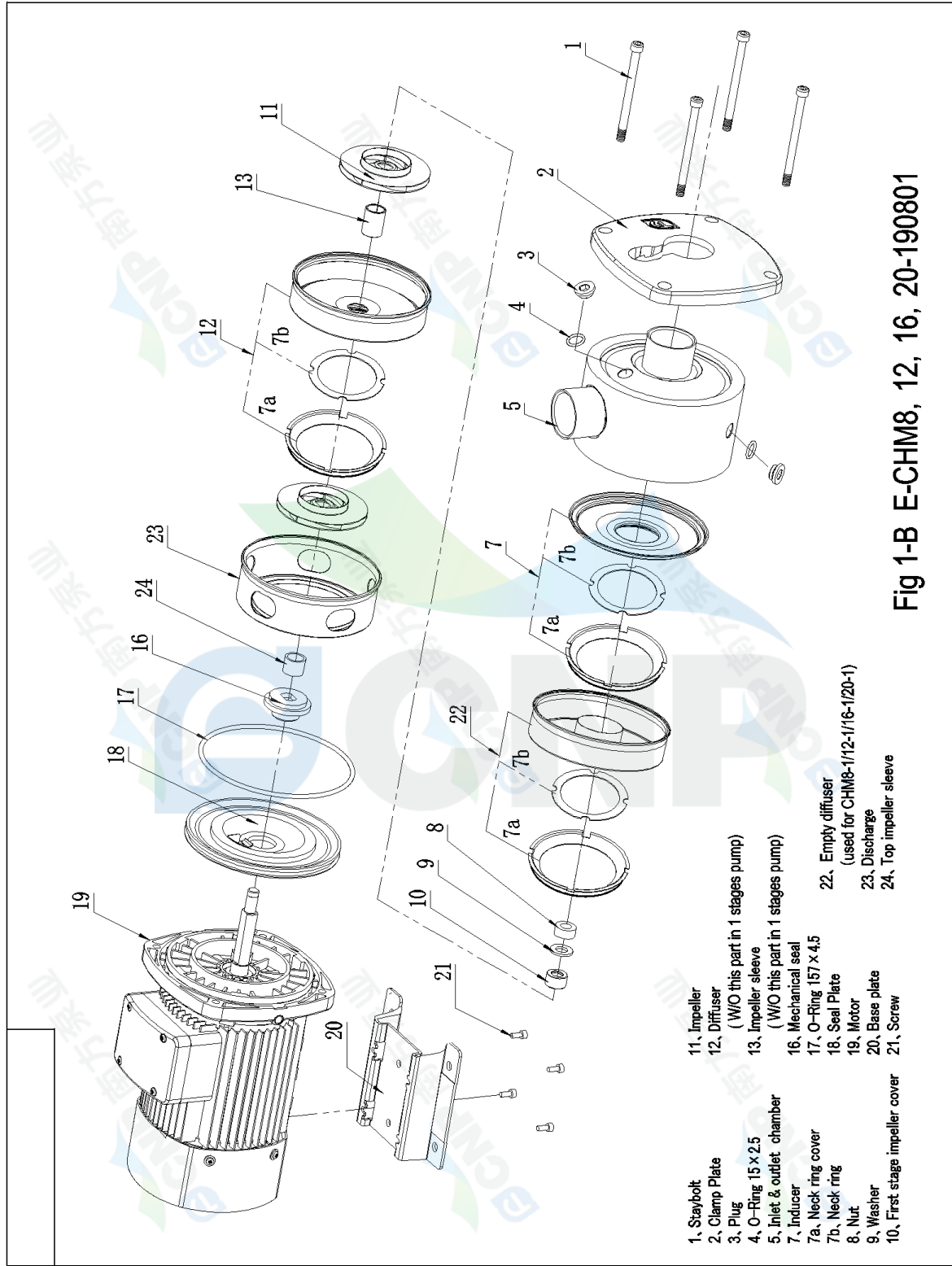
Pump model	CHM12-4
Part NO.	1100082725
Rated flow (m ³ /h)	12
Rated head (m)	39.5
Rated efficiency (%)	60
Power (kW)	2.15
NPSHr (m)	2.5
Speed (rpm)	2900
Max impeller diameter (mm)	105

Medium

Pumped medium	Clean Water
Working temperature (°C)	20
Medium density (kg/m ³)	1000
Viscosity (mm ² /s)	1



	Structure picture CHM12-4	Manufacturer	CNP
		Address	Yuhang District, Hangzhou, Zhejiang,
Project Name		Contact	86-571-88637351
		Date	2022/03/07
Item NO		Client Name	DPA
		Client Addr.	
		Contacts	Alireza
		Contact	



- 1, Staybolt
- 2, Clamp Plate
- 3, Plug
- 4, O-Ring 15 x 2.5
- 5, Inlet & outlet chamber
- 7, Inducer
- 7a, Neck ring cover
- 7b, Neck ring
- 8, Nut
- 9, Washer
- 10, First stage impeller cover
- 11, Impeller
- 12, Diffuser (W/O this part in 1 stages pump)
- 13, Impeller sleeve (W/O this part in 1 stages pump)
- 16, Mechanical seal
- 17, O-Ring 157 x 4.5
- 18, Seal Plate
- 19, Motor
- 20, Base plate
- 21, Screw
- 22, Empty diffuser (used for CHM8-1/12-1/16-1/20-1)
- 23, Discharge
- 24, Top impeller sleeve

Fig 1-B E-CHM8, 12, 16, 20-190801

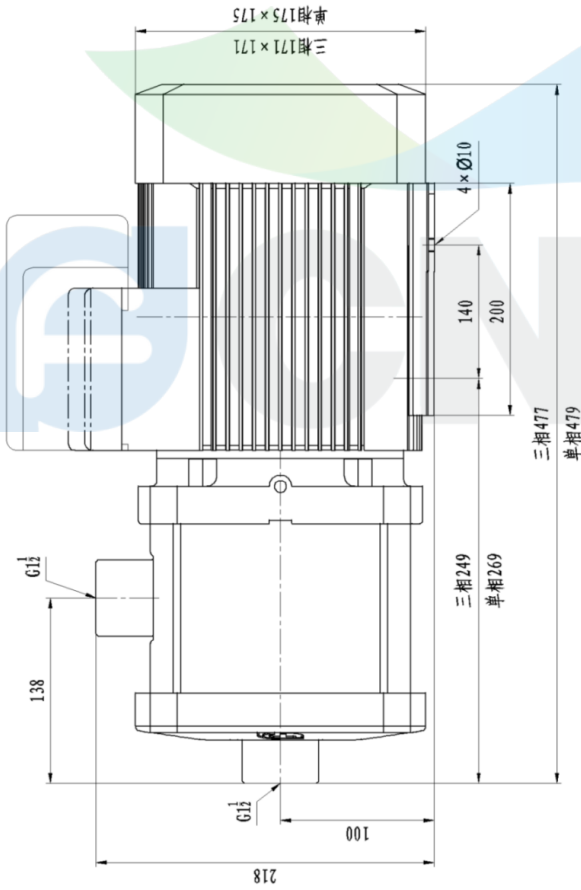
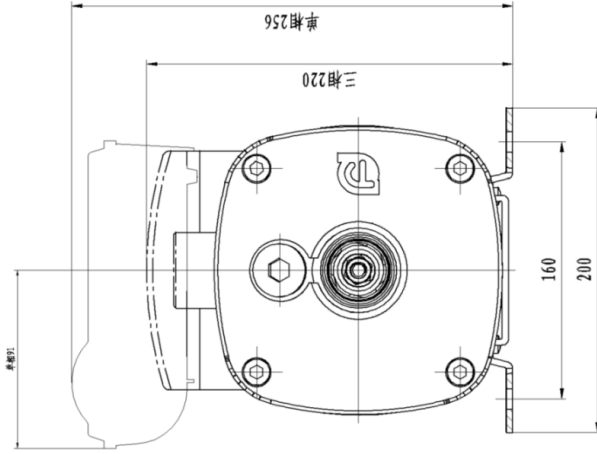
描 图	
描 校	
旧底图总号	
底图总号	
签 字	
日 期	



Dimension Drawing CHM12-4

Manufacturer	CNP
Address	Yuhang District, Hangzhou, Zhejiang,
Contact	86-571-88637351
Date	2022/03/07
Client Name	DPA
Client Addr.	
Contacts	Alireza
Contact	

Project Name	
Item NO	



CHM12-4

CNP 南方泵业

外形图

CHM12-4

图样标记	重量	比例	页
		1:2	
共	页	第	页
设计	校对	审核	工艺
修改文件	签字	日期	
标准化	日期		
审	定		

日期
签字
底图总号
底图总号
审核
日期