
	Product Information CHM10-40	Manufacturer	CNP
		Address	Yuhang District, Hangzhou, Zhejiang,
Project Name		Contact	86-571-88637351
		Date	2022/03/07
		Client Name	DPA
Item NO		Client Addr.	
		Contacts	Alireza
		Contact	

Part NO.	1100196718
----------	------------

Product Picture	Note
	<p>Non-self-priming horizontal multistage centrifugal pump. The impeller guide vane is made of stainless steel plate stamping and welding. Equipped with long shaft motor, axial inlet and radial outlet.</p>

technology	
Pump rotator speed	2900
Material	
Impeller	304
Rubber code	F
Material Code	S
Installation	
Connection Code	L
Installation type	horizontal
Maximum Operation Pressure	10Bar
Medium	
Medium Temperature normal	-15+70
Medium Temperature high t	-15+105
Maximum Environment Temper	40
Structure dimension	
Inlet & outlet size types	G
Inlet & Outlet Diameter	G1½/G1½
Rotation Direction	Clockwise
Motor	
Number of Motor Phase	Three Phase
Protection Class	IP55
Insulation Class	F
Motor Power	1.5
Energy Efficiency Level	IE3
Seal	
Mechanical Seal	CHM-19/SB1F4
Others	
Weight (kg)	23



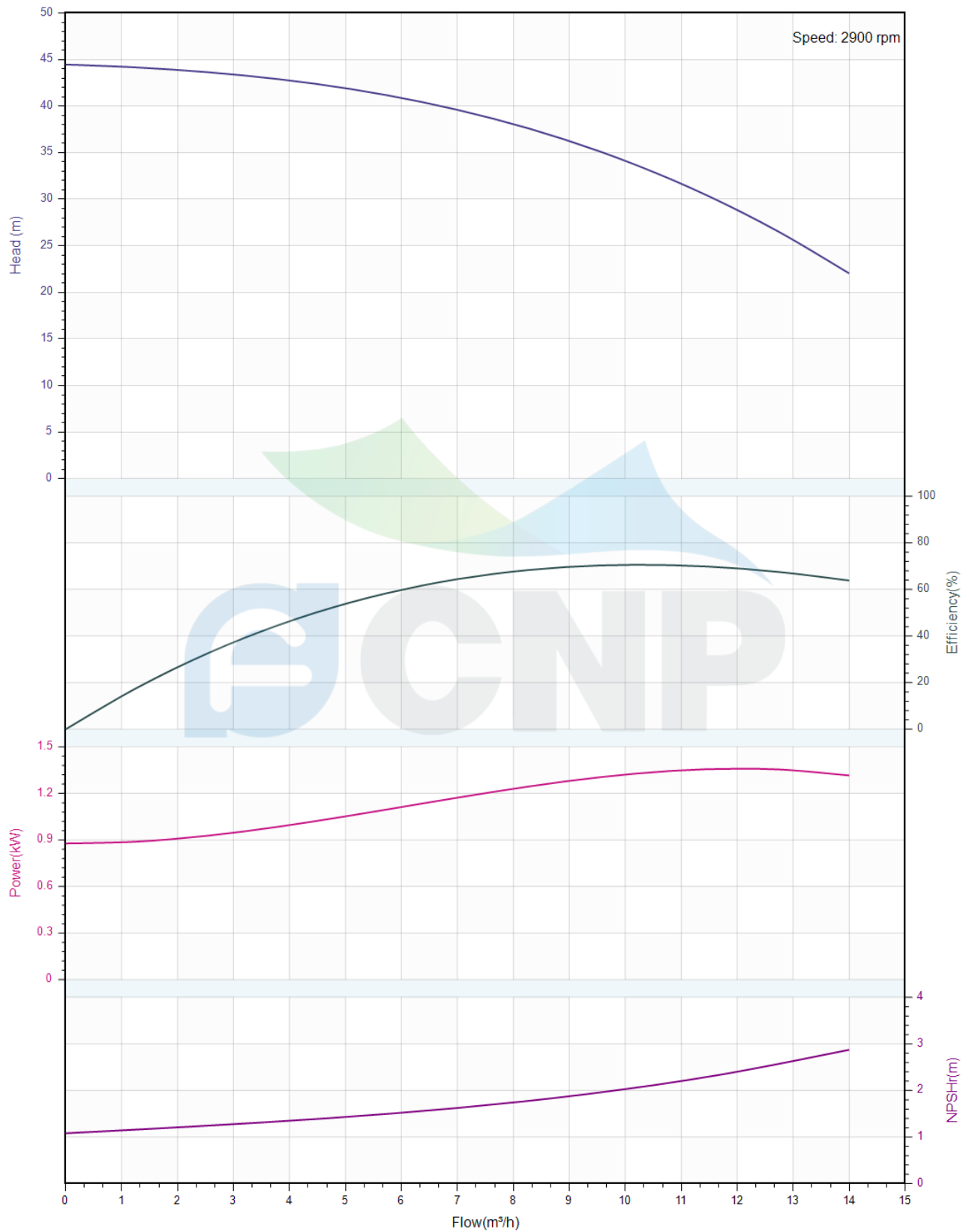
Performance Curve CHM10-40

Manufacturer	CNP
Address	Yuhang District, Hangzhou, Zhejiang,
Contact	86-571-88637351
Date	2022/03/07
Client Name	DPA
Client Addr.	
Contacts	Alireza
Contact	

Project Name

Item NO

The hydraulic performance curve have been tested with Clean Water at 20°C, density 1000kg/m³, and at 1bar atmospheric pressure. ISO99062012 Grade 3B





Pump Technical Parameters CHM10-40

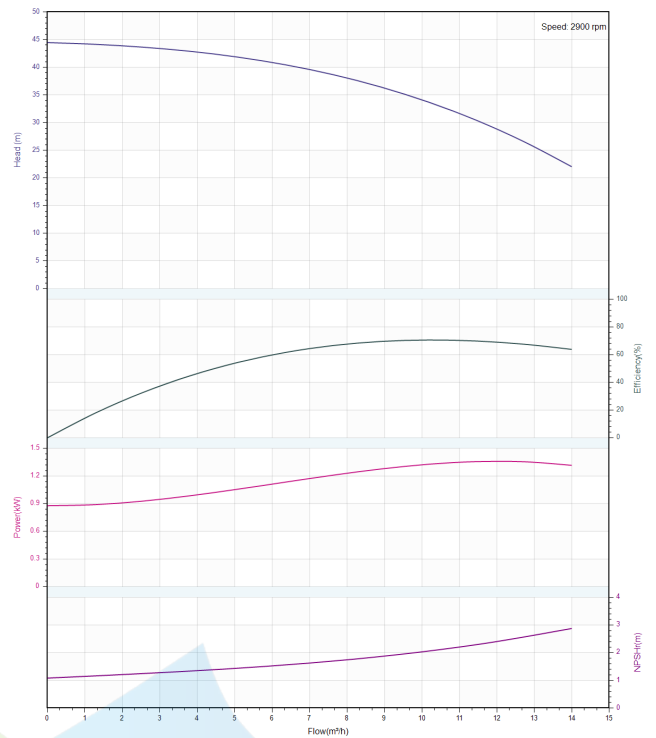
Manufacturer	CNP
Address	Yuhang District, Hangzhou, Zhejiang,
Contact	86-571-88637351
Date	2022/03/07
Client Name	DPA
Client Addr.	
Contacts	Alireza
Contact	


Rated parameters

Pump model	CHM10-40
Part NO.	1100196718
Rated flow (m ³ /h)	10
Rated head (m)	34
Rated efficiency (%)	70
Power (kW)	1.324
NPSHr (m)	2
Speed (rpm)	2900
Max impeller diameter (mm)	100

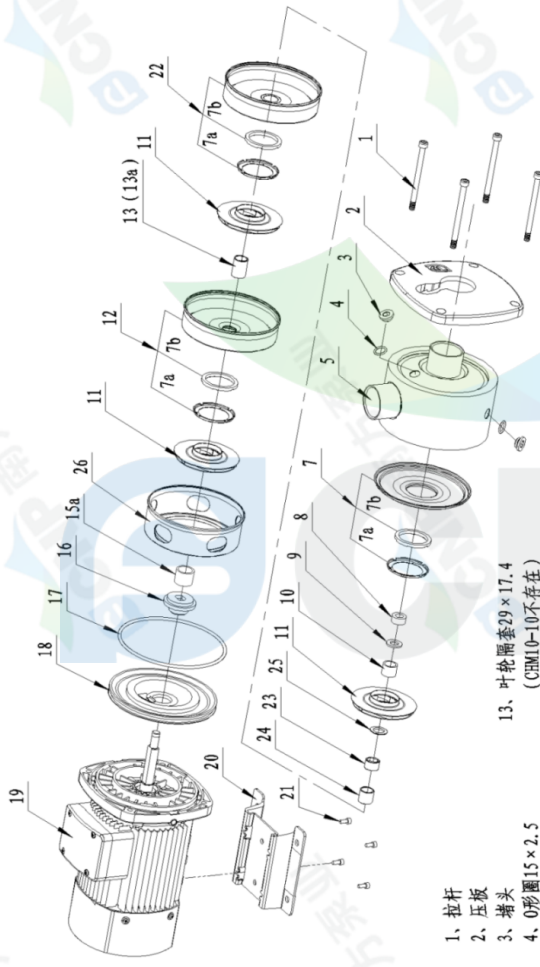
Medium

Pumped medium	Clean Water
Working temperature (°C)	20
Medium density (kg/m ³)	1000
Viscosity (mm ² /s)	1



	Structure picture CHM10-40	Manufacturer	CNP
		Address	Yuhang District, Hangzhou, Zhejiang,
Project Name		Contact	86-571-88637351
		Date	2022/03/07
Item NO		Client Name	DPA
		Client Addr.	
		Contacts	Alireza
		Contact	

CHM10-200801



- 1、拉杆
- 2、压板
- 3、堵头
- 4、O形圈15×2.5
- 5、进出水段
- 7、导流器
- 7a、口环
- 7b、口环
- 8、螺母M12
- 9、垫圈12
- 10、出水叶轮隔套9.3×17.4
- 11、叶轮
- 12、导叶
- 13、叶轮隔套29×17.4
(CHM10-10不存在)
- 13a、空套隔套30×17.4
(仅用于CHM10-10)
- 15a、出水叶轮隔套13.7×17.4
- 16、机械密封
- 17、O形圈157×4.5
- 18、密封座
- 19、电机
- 20、底座
- 21、螺钉
- 22、支撑导叶
(仅用于CHM10-60至10-90)
- 23、轴套
(仅用于CHM10-60至10-90)
- 24、支撑隔套12.6×17.4
(仅用于CHM10-60至10-90)
- 25、支撑垫片
(仅用于CHM10-60至10-90)
- 26、出水体

新一代CHM
10-200801

插图
修改
旧版图号
新版图号
签字
日期

 南方泵业		爆炸图	
轻型卧式多级离心泵 CHM10-200801		图样标记	比例
		S	1:1
		共 1 页	第 1 页
标记说明	更改文件名	签字	日期
设计	标准化		
校对	审定		
审核	日期		
工艺			

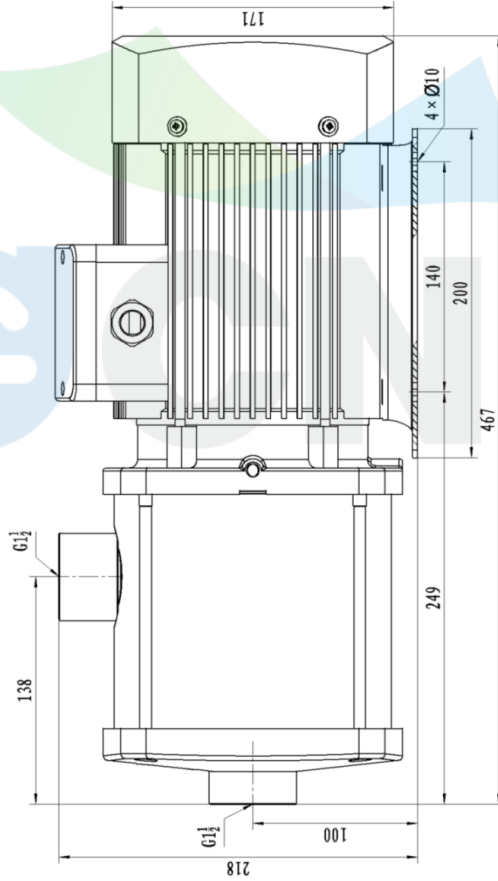
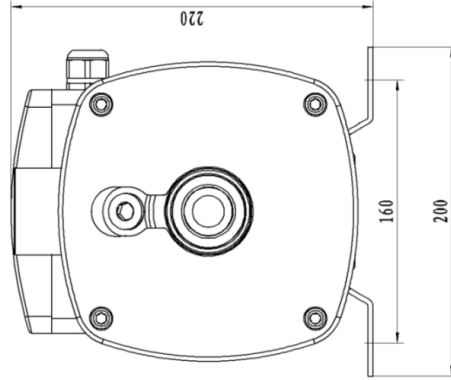


Dimension Drawing CHM10-40

Manufacturer	CNP
Address	Yuhang District, Hangzhou, Zhejiang,
Contact	86-571-88637351
Date	2022/03/07
Client Name	DPA
Client Addr.	
Contacts	Alireza
Contact	

Project Name

Item NO



CHM10-40

南方泵业 外形图 CHM10-40	
图样标记	重量比例
共 1 页	1:2.5
第 1 页	
设计	审核
校对	工艺
修改文件名称	日期
标准化	日期
审批	

绘图	
描图	
旧版图号	
版图总号	
签字	
日期	