
	<b>Product Information</b> <b>CHM1-5</b>	Manufacturer	CNP
		Address	Yuhang District, Hangzhou, Zhejiang,
<b>Project Name</b>		Contact	86-571-88637351
		Date	2022/03/07
		Client Name	DPA
<b>Item NO</b>		Client Addr.	
		Contacts	Alireza
		Contact	

Part NO.	1100085742
----------	------------

Product Picture	Note
	<p>Non-self-priming horizontal multistage centrifugal pump. The impeller guide vane is made of stainless steel plate stamping and welding. Equipped with long shaft motor, axial inlet and radial outlet.</p>

### technology

Pump rotator speed 2900

### Material

Impeller 304

Rubber code F

Material Code S

### Installation

Connection Code L

Installation type horizontal

Maximum Operation Pressure 10Bar

### Medium

Medium Temperature normal -15+70

Medium Temperature high t -15+105

Maximum Environment Temper 40

### Structure dimension

Inlet & outlet size types G

Inlet & Outlet Diameter G1/G1

Rotation Direction Clockwise

### Motor

Number of Motor Phase Three Phase

Protection Class IP55

Insulation Class F

Motor Power 0.45

Energy Efficiency Level IE2

### Seal

Mechanical Seal CHM-14/SB1F4

### Others

Weight (kg) 13



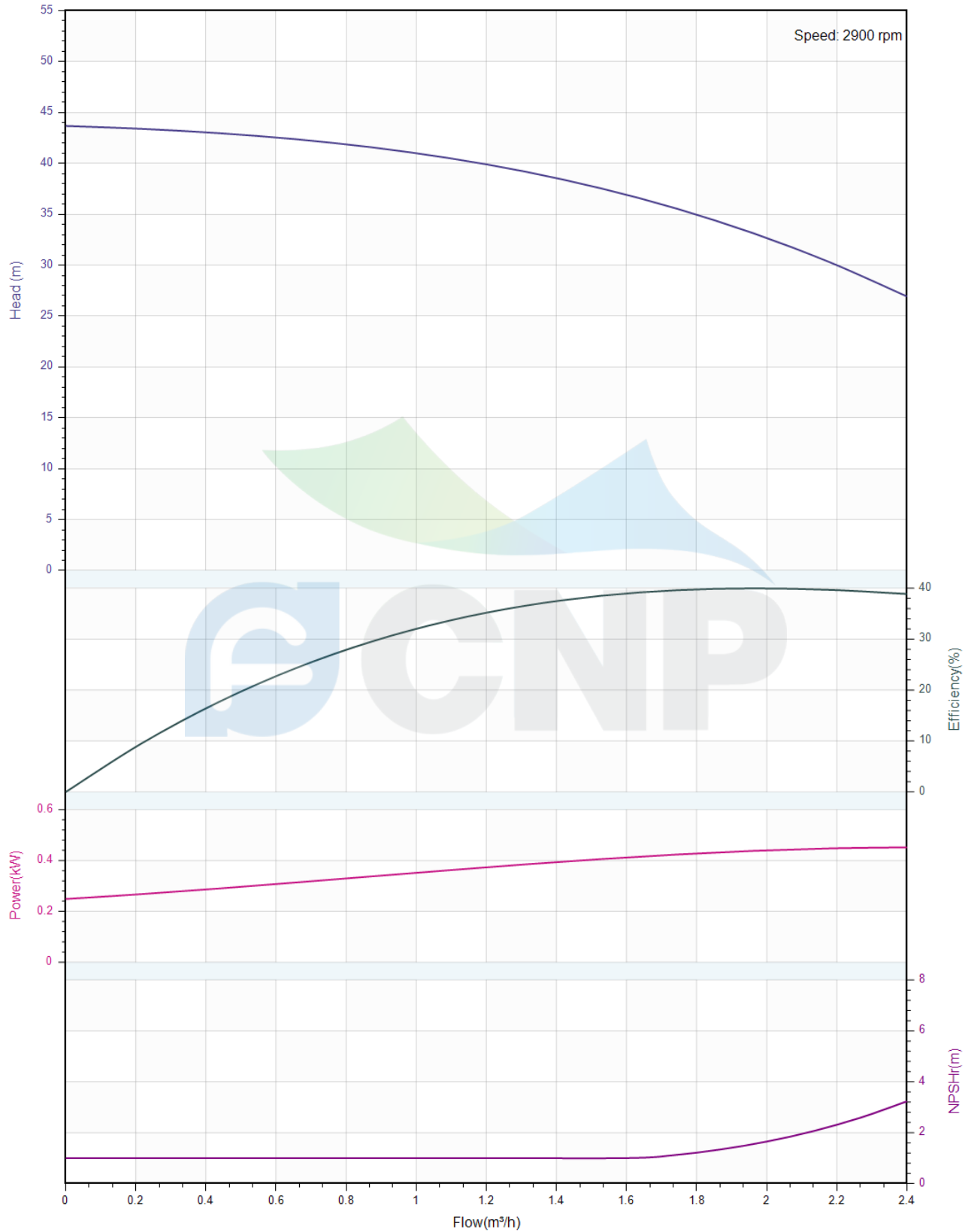
# Performance Curve CHM1-5

Manufacturer	CNP
Address	Yuhang District, Hangzhou, Zhejiang,
Contact	86-571-88637351
Date	2022/03/07
Client Name	DPA
Client Addr.	
Contacts	Alireza
Contact	

Project Name

Item NO

The hydraulic performance curve have been tested with Clean Water at 20°C, density 1000kg/m<sup>3</sup>, and at 1bar atmospheric pressure. ISO99062012 Grade 3B





## Pump Technical Parameters CHM1-5

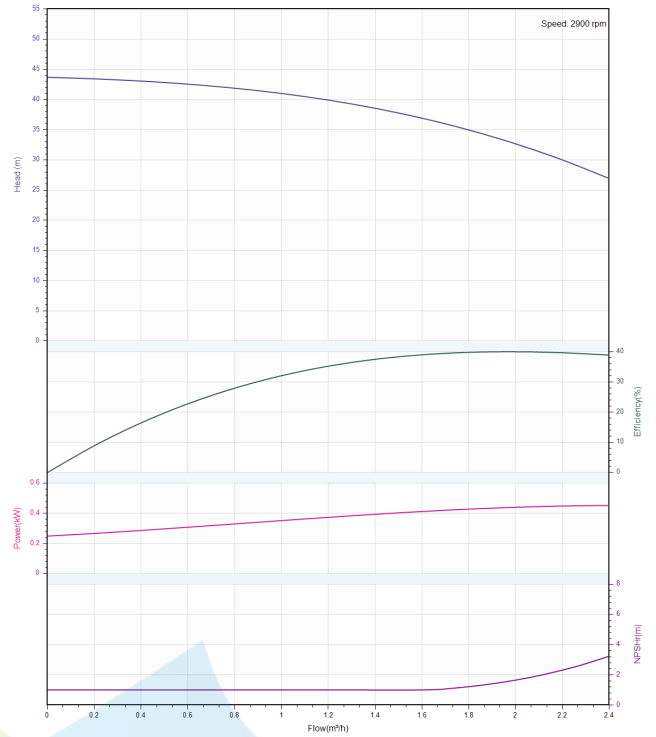
Manufacturer	CNP
Address	Yuhang District, Hangzhou, Zhejiang,
Contact	86-571-88637351
Date	2022/03/07
Client Name	DPA
Client Addr.	
Contacts	Alireza
Contact	

### Rated parameters

Pump model	CHM1-5
Part NO.	1100085742
Rated flow (m <sup>3</sup> /h)	1
Rated head (m)	41
Rated efficiency (%)	31.5
Power (kW)	0.355
NPSHr (m)	1.5
Speed (rpm)	2900
Max impeller diameter (mm)	90

### Medium

Pumped medium	Clean Water
Working temperature (°C)	20
Medium density (kg/m <sup>3</sup> )	1000
Viscosity (mm <sup>2</sup> /s)	1



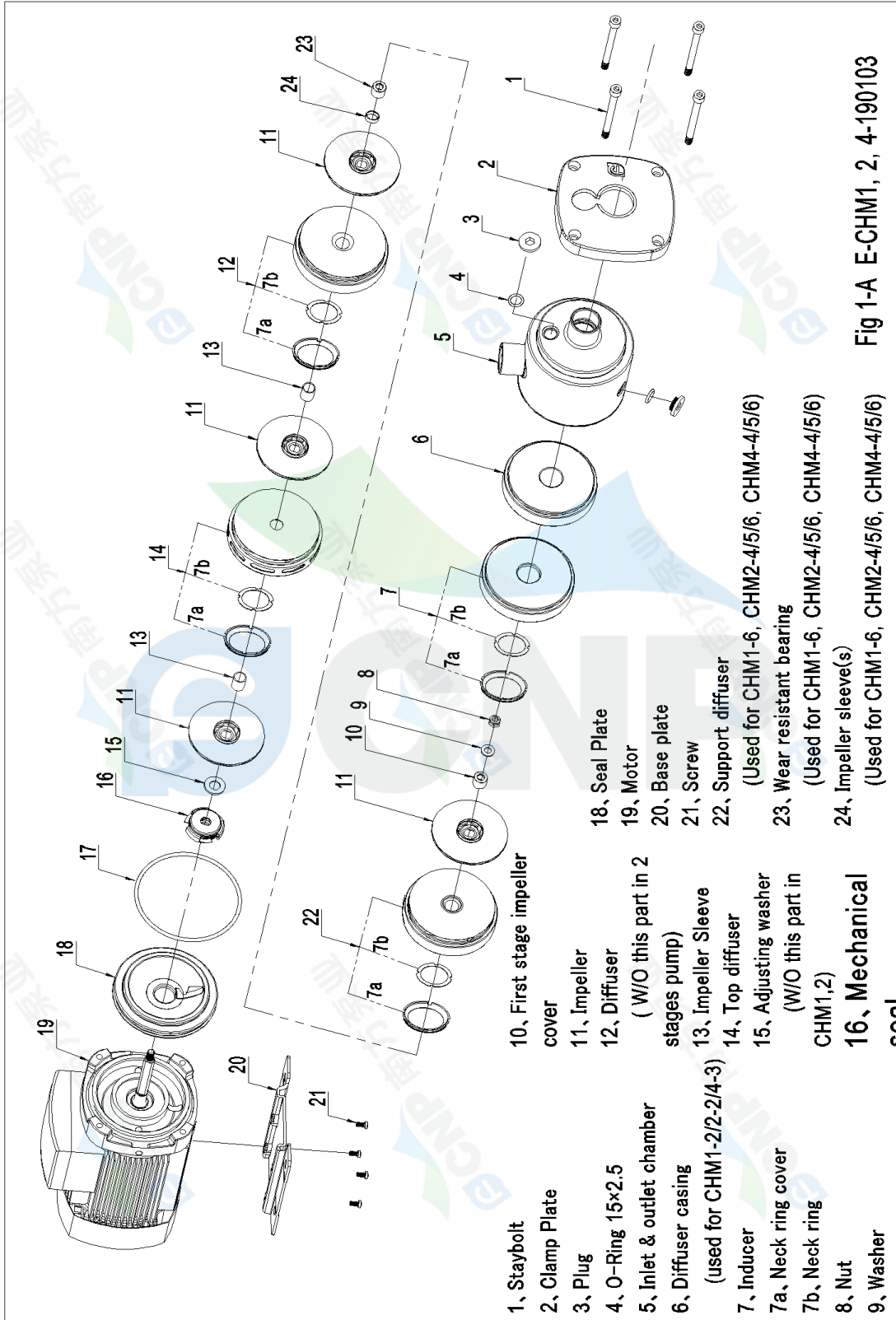


**Structure picture**  
**CHM1-5**

Manufacturer	CNP
Address	Yuhang District, Hangzhou, Zhejiang,
Contact	86-571-88637351
Date	2022/03/07
Client Name	DPA
Client Addr.	
Contacts	Alireza
Contact	

Project Name

Item NO



- 1, Staybolt
- 2, Clamp Plate
- 3, Plug
- 4, O-Ring 15x2.5
- 5, Inlet & outlet chamber
- 6, Diffuser casing (used for CHM1-2/2-2/4-3)
- 7, Inducer
- 7a, Neck ring cover
- 7b, Neck ring
- 8, Nut
- 9, Washer
- 10, First stage impeller cover
- 11, Impeller
- 12, Diffuser (W/O this part in 2 stages pump)
- 13, Impeller Sleeve
- 14, Top diffuser
- 15, Adjusting washer (W/O this part in CHM1,2)
- 16, Mechanical seal
- 17, O-Ring 115 x 3.55
- 18, Seal Plate
- 19, Motor
- 20, Base plate
- 21, Screw
- 22, Support diffuser (Used for CHM1-6, CHM2-4/5/6, CHM4-4/5/6)
- 23, Wear resistant bearing (Used for CHM1-6, CHM2-4/5/6, CHM4-4/5/6)
- 24, Impeller sleeve(s) (Used for CHM1-6, CHM2-4/5/6, CHM4-4/5/6)

**Fig 1-A E-CHM1, 2, 4-190103**

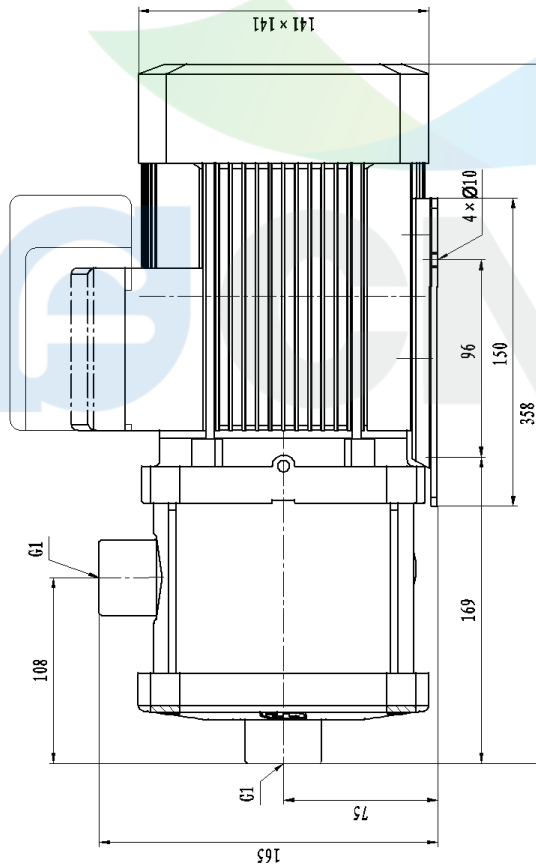
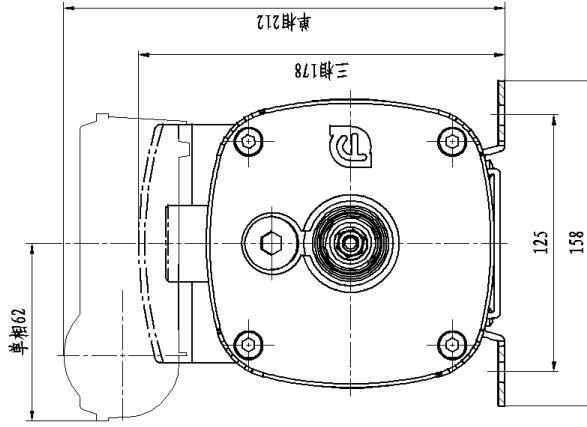


## Dimension Drawing CHM1-5

Manufacturer	CNP
Address	Yuhang District, Hangzhou, Zhejiang,
Contact	86-571-88637351
Date	2022/03/07
Client Name	DPA
Client Addr.	
Contacts	Alireza
Contact	

Project Name

Item NO



CHM1-5

CNP 南方泵业	
外形图	
CHM1-5	
图样名称	比例
图样比例	1:2
图样数量	张
图样页数	页
图样共	页
图样共	张
图样日期	日期
图样签字	日期
图样审核	日期
图样工艺	日期

推图	日期
描校	日期
图底图号	日期
图图总号	日期
签字	日期
日期	日期