
	Product Information CHM1-4	Manufacturer	CNP
		Address	Yuhang District, Hangzhou, Zhejiang,
Project Name		Contact	86-571-88637351
		Date	2022/03/07
		Client Name	DPA
Item NO		Client Addr.	
		Contacts	Alireza
		Contact	

Part NO.	1100085740
----------	------------

Product Picture	Note
	<p>Non-self-priming horizontal multistage centrifugal pump. The impeller guide vane is made of stainless steel plate stamping and welding. Equipped with long shaft motor, axial inlet and radial outlet.</p>

technology

Pump rotator speed 2900

Material

Impeller 304

Rubber code F

Material Code S

Installation

Connection Code L

Installation type horizontal

Maximum Operation Pressure 10Bar

Medium

Medium Temperature normal -15+70

Medium Temperature high t -15+105

Maximum Environment Temper 40

Structure dimension

Inlet & outlet size types G

Inlet & Outlet Diameter G1/G1

Rotation Direction Clockwise

Motor

Number of Motor Phase Three Phase

Protection Class IP55

Insulation Class F

Motor Power 0.37

Energy Efficiency Level IE2

Seal

Mechanical Seal CHM-14/SB1F4

Others

Weight (kg) 13

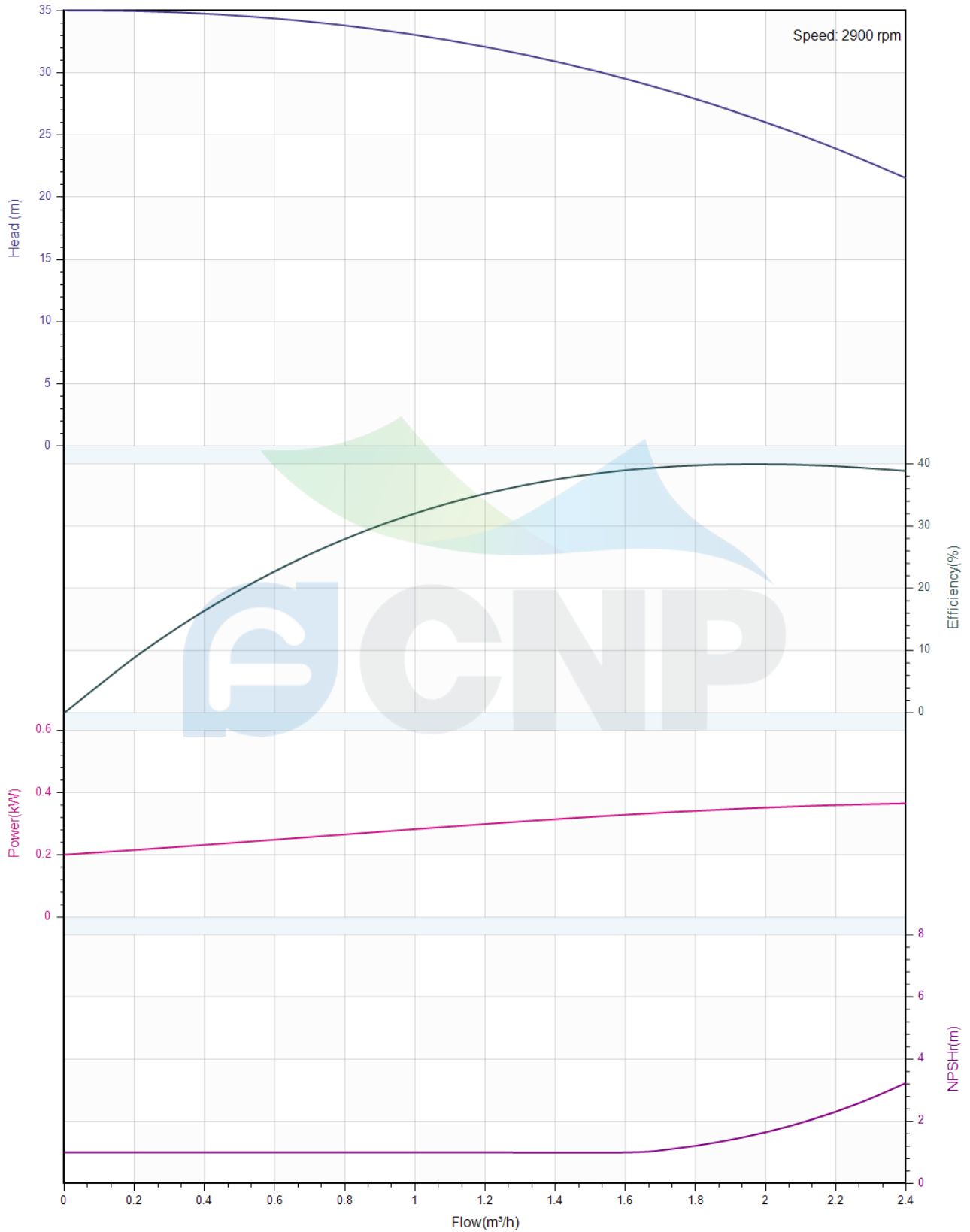


Performance Curve CHM1-4

Manufacturer	CNP
Address	Yuhang District, Hangzhou, Zhejiang,
Contact	86-571-88637351
Date	2022/03/07
Client Name	DPA
Client Addr.	
Contacts	Alireza
Contact	

Project Name	
Item NO	

The hydraulic performance curve have been tested with Clean Water at 20°C, density 1000kg/m³, and at 1bar atmospheric pressure. ISO99062012 Grade 3B





Pump Technical Parameters CHM1-4

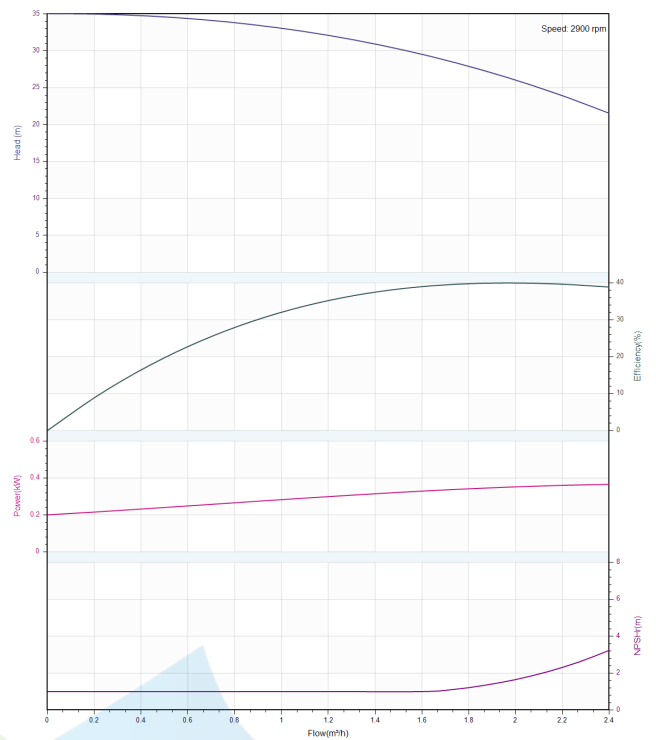
Manufacturer	CNP
Address	Yuhang District, Hangzhou, Zhejiang,
Contact	86-571-88637351
Date	2022/03/07
Client Name	DPA
Client Addr.	
Contacts	Alireza
Contact	

Rated parameters

Pump model	CHM1-4
Part NO.	1100085740
Rated flow (m ³ /h)	1
Rated head (m)	33
Rated efficiency (%)	31.5
Power (kW)	0.285
NPSHr (m)	1.5
Speed (rpm)	2900
Max impeller diameter (mm)	90

Medium

Pumped medium	Clean Water
Working temperature (°C)	20
Medium density (kg/m ³)	1000
Viscosity (mm ² /s)	1





Structure picture CHM1-4

Manufacturer	CNP
Address	Yuhang District, Hangzhou, Zhejiang,
Contact	86-571-88637351
Date	2022/03/07
Client Name	DPA
Client Addr.	
Contacts	Alireza
Contact	

Project Name

Item NO

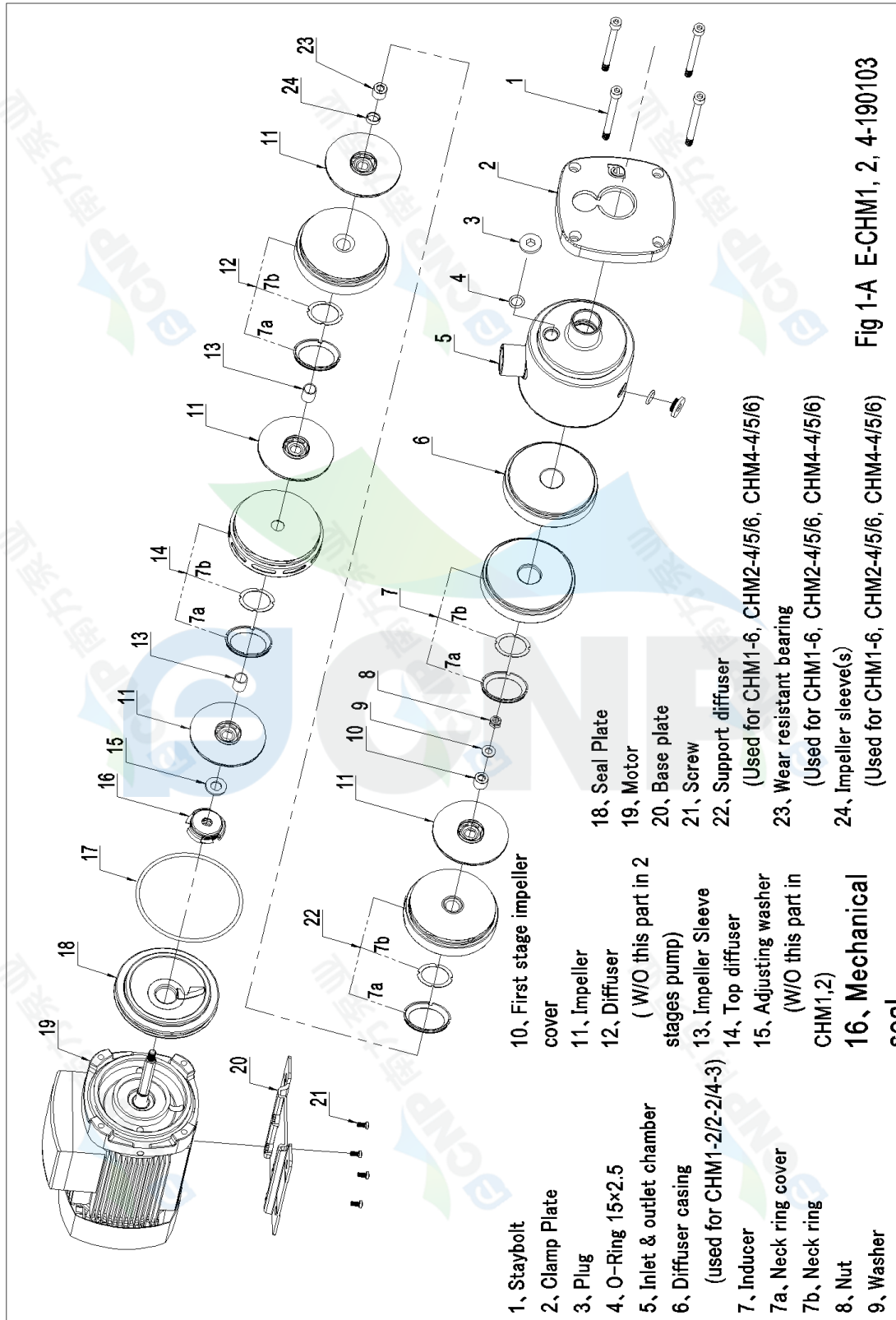


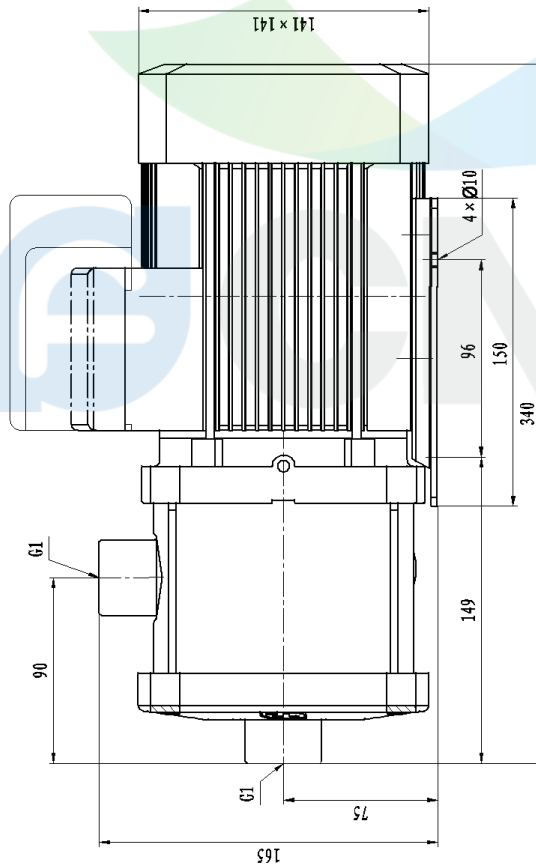
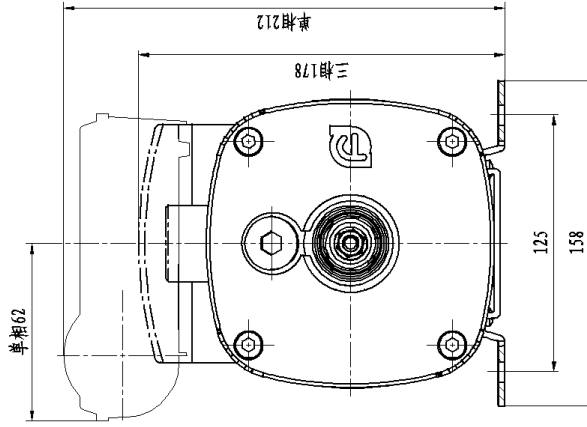
Fig 1-A E-CHM1, 2, 4-190103



Dimension Drawing CHM1-4

Manufacturer	CNP
Address	Yuhang District, Hangzhou, Zhejiang,
Contact	86-571-88637351
Date	2022/03/07
Client Name	DPA
Client Addr.	
Contacts	Alireza
Contact	

Project Name	
Item NO	



CHM1-4

CNP 南方泵业		外形图		CHM1-4	
图样名称	图样比例	重量	比例	共	页
	1:2				
设计	审核	日期	日期		
校对	工艺				
审核					
工艺					

日期	
签字	
图号	
图号	
图号	
图号	