
	<b>Product Information</b> <b>CHLF12-50</b>	Manufacturer	CNP
		Address	Yuhang District, Hangzhou, Zhejiang,
Project Name		Contact	86-571-88637351
		Date	2022/03/06
Item NO		Client Name	DPA
		Client Addr.	
		Contacts	Alireza
		Contact	

Part NO.	1100049054
----------	------------

Product Picture	Note
	<p>Product introduction</p> <p>Horizontal multistage non-self-priming centrifugal pump with close coupling motor; Impellers and diffusers are made of stainless steel plate with stamping and welding technology; Axial inlet and radial outlet.</p> <p>Performance and advantages</p> <p>Compact structure Low noise Suitable for slightly corrosive liquid Small installation space</p> <p>Application</p>

### technology

Pump rotator speed	2900
Pump version	2

### Material

Impeller	304
Rubber code	P
Material Code	S

### Installation

Connection Code	L
Installation type	horizontal
Maximum Pressure/Temperature	10 bar
Maximum Pressure/Temperature	10 bar

### Medium

Medium Temperature normal	-15+70
Medium Temperature high t	-15+105
Maximum Environment Temper	40

### Structure dimension

Inlet Bore	G1 1/2
Outlet Diameter	G1 1/2
Rotation Direction	Clockwise

### Motor

Number of Motor Phase	Three Phase
Protection Class	IP55
Insulation Class	F
Motor Power	3
Power Frequency	50
Rated Voltage (V)	380V
Energy Efficiency Level	IE2

### Seal

Mechanical Seal	CHL-20/BSF4
-----------------	-------------

### Others

Weight (kg)	36
-------------	----

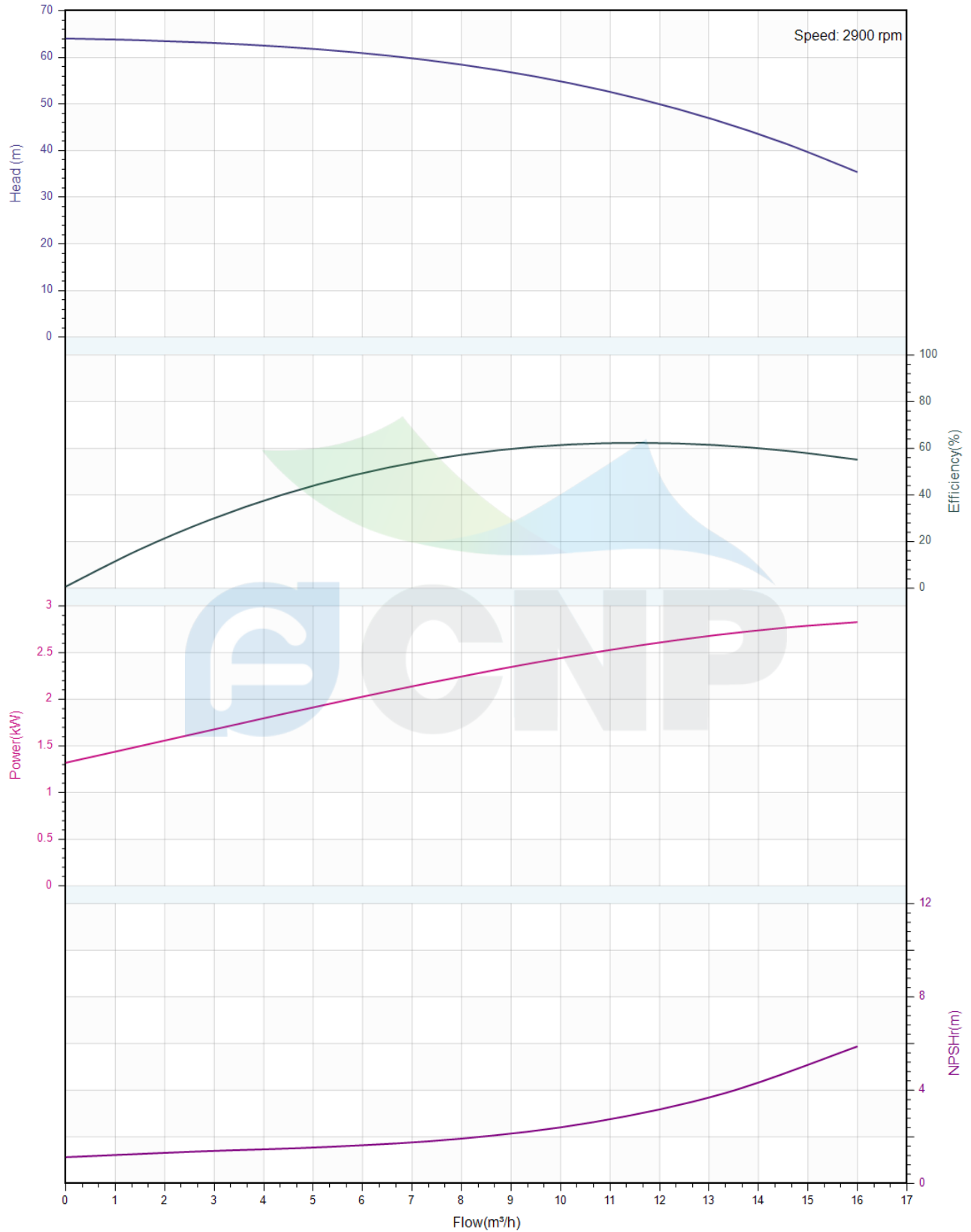


### Performance Curve CHLF12-50

Manufacturer	CNP
Address	Yuhang District, Hangzhou, Zhejiang,
Contact	86-571-88637351
Date	2022/03/06
Client Name	DPA
Client Addr.	
Contacts	Alireza
Contact	

Project Name	
Item NO	

The hydraulic performance curve have been tested with Clean Water at 20°C, density 1000kg/m<sup>3</sup>, and at 1bar atmospheric pressure. ISO99062012 Grade 3B





## Pump Technical Parameters CHLF12-50

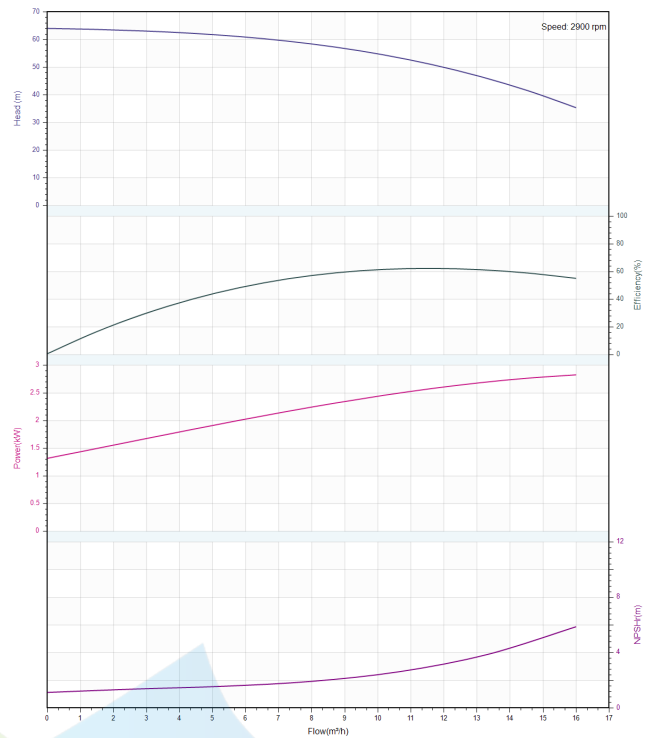
Manufacturer	CNP
Address	Yuhang District, Hangzhou, Zhejiang,
Contact	86-571-88637351
Date	2022/03/06
Client Name	DPA
Client Addr.	
Contacts	Alireza
Contact	

### Rated parameters

Pump model	CHLF12-50
Part NO.	1100049054
Rated flow (m <sup>3</sup> /h)	12
Rated head (m)	50
Rated efficiency (%)	60
Power (kW)	2.73
NPSHr (m)	2.5
Speed (rpm)	2900
Max impeller diameter (mm)	105

### Medium

Pumped medium	Clean Water
Working temperature (°C)	20
Medium density (kg/m <sup>3</sup> )	1000
Viscosity (mm <sup>2</sup> /s)	1



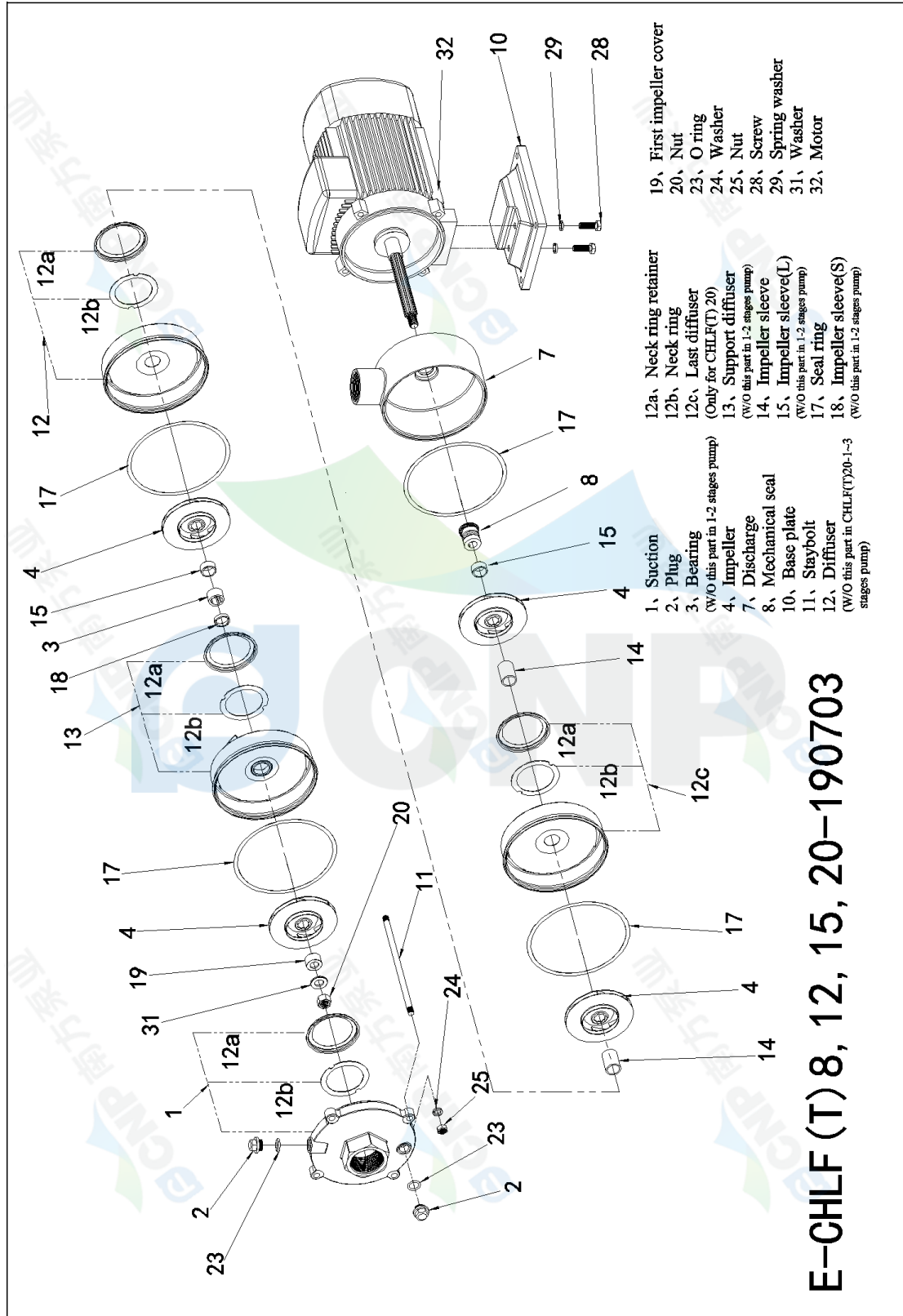


**Structure picture**  
**CHLF12-50**

Manufacturer	CNP
Address	Yuhang District, Hangzhou, Zhejiang,
Contact	86-571-88637351
Date	2022/03/06
Client Name	DPA
Client Addr.	
Contacts	Alireza
Contact	

Project Name

Item NO



**E-CHLF(T) 8, 12, 15, 20-190703**

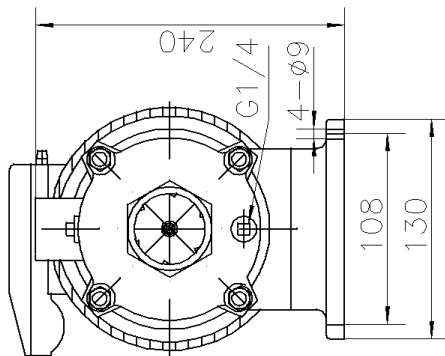
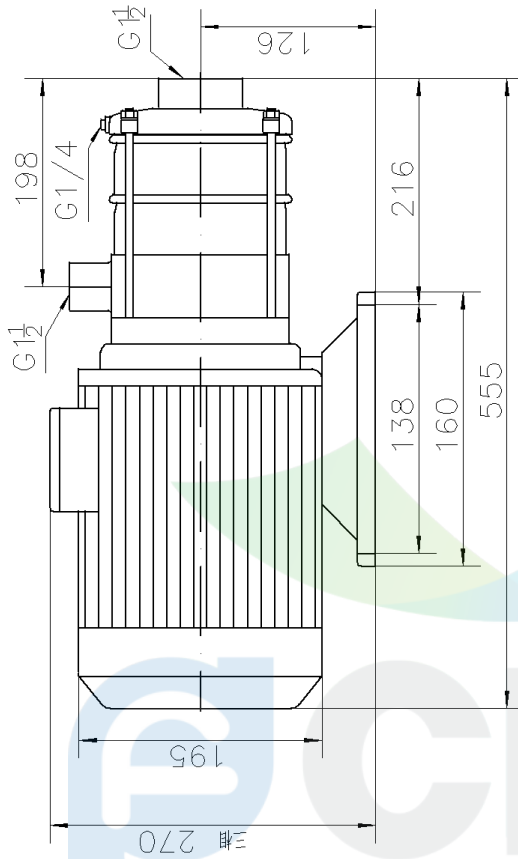


**Dimension Drawing**  
**CHLF12-50**

Manufacturer	CNP
Address	Yuhang District, Hangzhou, Zhejiang,
Contact	86-571-88637351
Date	2022/03/06
Client Name	DPA
Client Addr.	
Contacts	Alireza
Contact	

Project Name

Item NO



CHLF(T)12-50 50HZ