



| | | | |
|--|--|--------------|--------------------------------------|
|  | Product Information CHL8-50 | Manufacturer | CNP |
| | | Address | Yuhang District, Hangzhou, Zhejiang, |
| Project Name | | Contact | 86-571-88637351 |
| | | Date | 2022/03/06 |
| Item NO | | Client Name | DPA |
| | | Client Addr. | |
| | | Contacts | Alireza |
| | | Contact | |

| | |
|----------|------------|
| Part NO. | 1100045804 |
|----------|------------|

| Product Picture | Note |
|---|--|
|  | <p>Product introduction</p> <p>Horizontal multistage non-self-priming centrifugal pump with close coupling motor; Impellers and diffusers are made of stainless steel plate with stamping and welding technology; Axial inlet and radial outlet.</p> <p>Performance and advantages</p> <p>Compact structure Low noise Suitable for slightly corrosive liquid Small installation space</p> <p>Application</p> |

technology

| | |
|--------------------|------|
| Pump rotator speed | 2900 |
| Pump version | 2 |

Material

| | |
|---------------|-----|
| Impeller | 304 |
| Rubber code | P |
| Material Code | S |

Installation

| | |
|------------------------------|------------|
| Connection Code | L |
| Installation type | horizontal |
| Maximum Pressure/Temperature | 10 bar |
| Maximum Pressure/Temperature | 10 bar |

Medium

| | |
|----------------------------|---------|
| Medium Temperature normal | -15+70 |
| Medium Temperature high t | -15+105 |
| Maximum Environment Temper | 40 |

Structure dimension

| | |
|--------------------|-----------|
| Inlet Bore | G2 |
| Outlet Diameter | G2 |
| Rotation Direction | Clockwise |

Motor

| | |
|-------------------------|-------------|
| Number of Motor Phase | Three Phase |
| Protection Class | IP55 |
| Insulation Class | F |
| Motor Power | 2.2 |
| Power Frequency | 50 |
| Rated Voltage (V) | 380V |
| Energy Efficiency Level | IE2 |

Seal

| | |
|-----------------|-------------|
| Mechanical Seal | CHL-20/BSF4 |
|-----------------|-------------|

Others

| | |
|-------------|----|
| Weight (kg) | 32 |
|-------------|----|



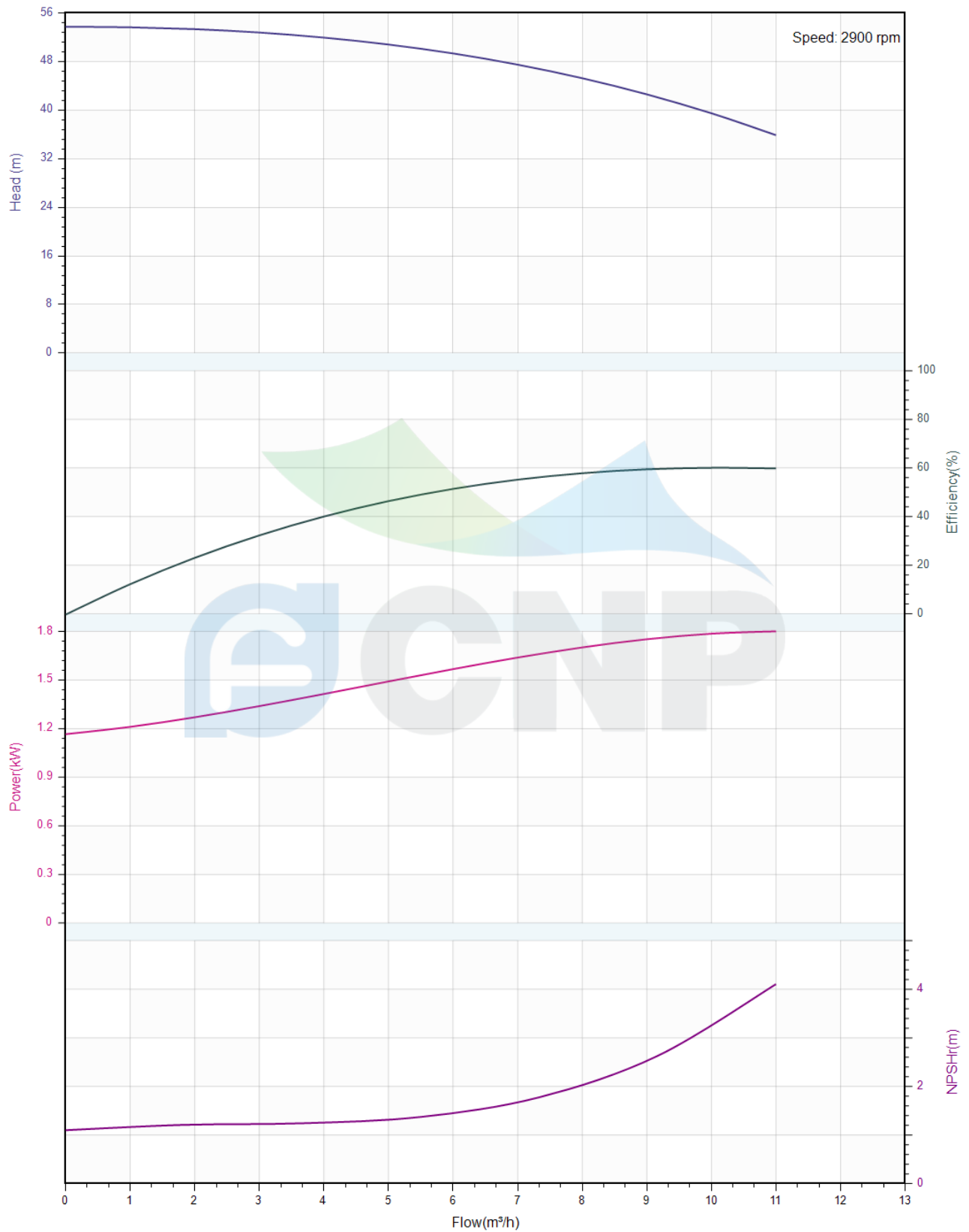
Performance Curve CHL8-50

| | |
|--------------|--------------------------------------|
| Manufacturer | CNP |
| Address | Yuhang District, Hangzhou, Zhejiang, |
| Contact | 86-571-88637351 |
| Date | 2022/03/06 |
| Client Name | DPA |
| Client Addr. | |
| Contacts | Alireza |
| Contact | |

Project Name

Item NO

The hydraulic performance curve have been tested with Clean Water at 20°C, density 1000kg/m³, and at 1bar atmospheric pressure. ISO99062012 Grade 3B





Pump Technical Parameters CHL8-50

| | |
|--------------|--------------------------------------|
| Manufacturer | CNP |
| Address | Yuhang District, Hangzhou, Zhejiang, |
| Contact | 86-571-88637351 |
| Date | 2022/03/06 |
| Client Name | DPA |
| Client Addr. | |
| Contacts | Alireza |
| Contact | |

Project Name

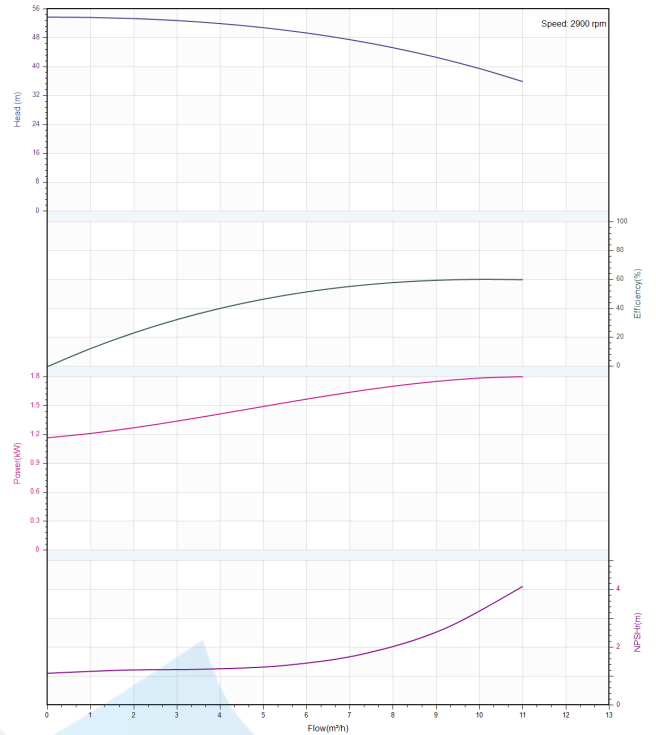
Item NO

Rated parameters

| | |
|--------------------------------|------------|
| Pump model | CHL8-50 |
| Part NO. | 1100045804 |
| Rated flow (m ³ /h) | 8 |
| Rated head (m) | 45 |
| Rated efficiency (%) | 57 |
| Power (kW) | 1.72 |
| NPSHr (m) | 2 |
| Speed (rpm) | 2900 |
| Max impeller diameter (mm) | 96.5 |

Medium

| | |
|-------------------------------------|-------------|
| Pumped medium | Clean Water |
| Working temperature (°C) | 20 |
| Medium density (kg/m ³) | 1000 |
| Viscosity (mm ² /s) | 1 |



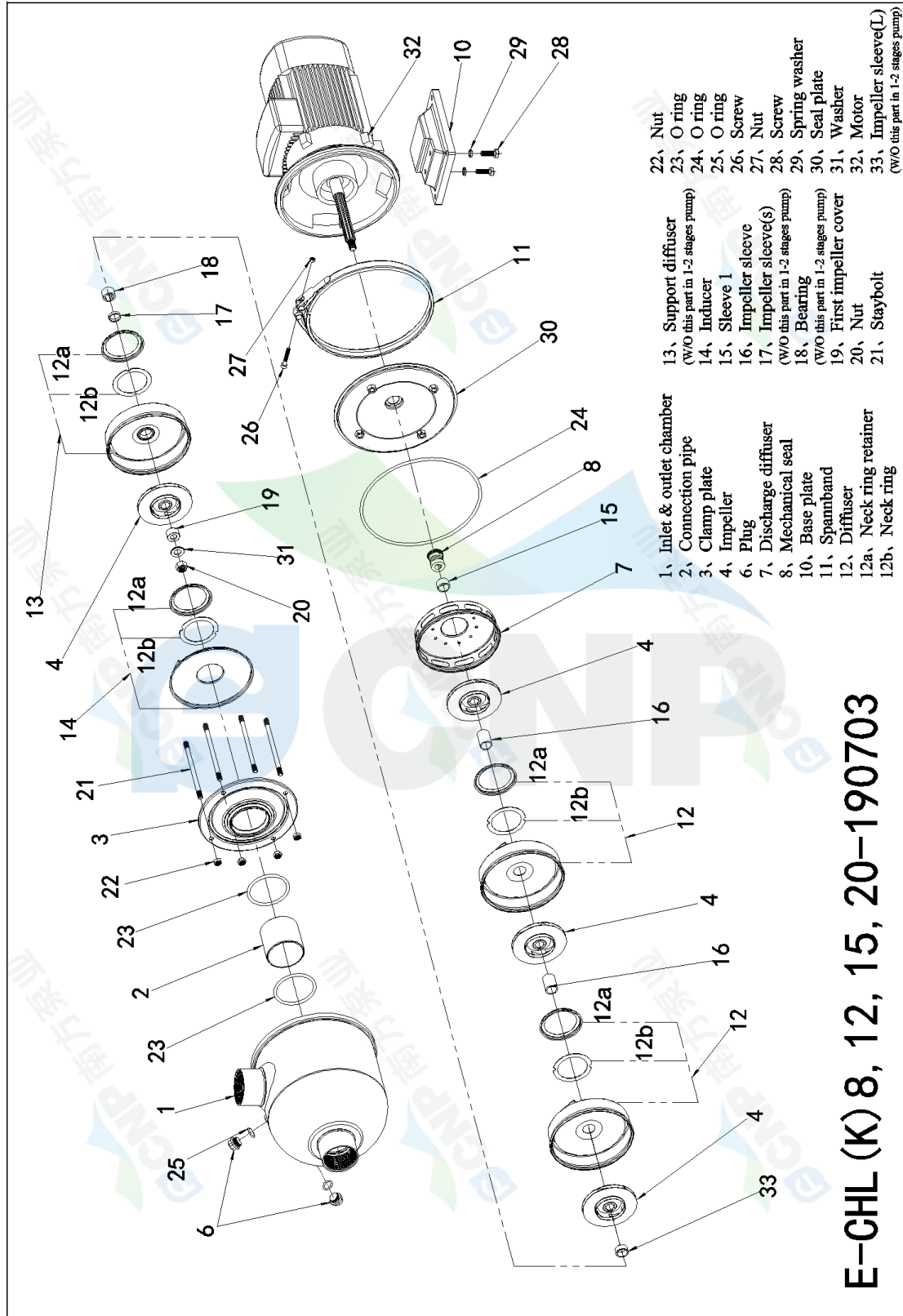


Structure picture
CHL8-50

| | |
|--------------|--------------------------------------|
| Manufacturer | CNP |
| Address | Yuhang District, Hangzhou, Zhejiang, |
| Contact | 86-571-88637351 |
| Date | 2022/03/06 |
| Client Name | DPA |
| Client Addr. | |
| Contacts | Alireza |
| Contact | |

Project Name

Item NO



E-CHL (K) 8, 12, 15, 20-190703

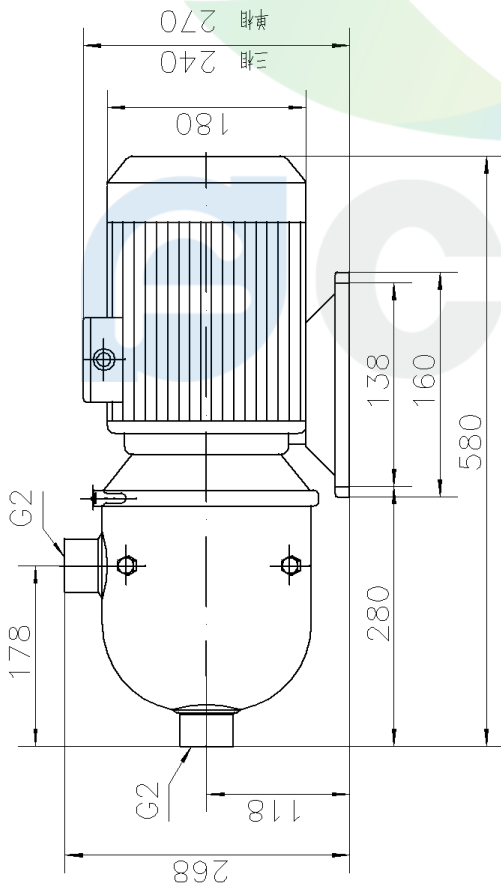
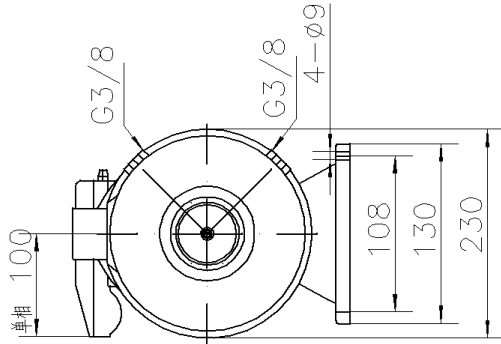


Dimension Drawing CHL8-50

| | |
|--------------|--------------------------------------|
| Manufacturer | CNP |
| Address | Yuhang District, Hangzhou, Zhejiang, |
| Contact | 86-571-88637351 |
| Date | 2022/03/06 |
| Client Name | DPA |
| Client Addr. | |
| Contacts | Alireza |
| Contact | |

Project Name

Item NO



CHL/CHLK8-50 50Hz