
	Product Information CHL2-30	Manufacturer	CNP
		Address	Yuhang District, Hangzhou, Zhejiang,
Project Name		Contact	86-571-88637351
		Date	2022/03/06
		Client Name	DPA
Item NO		Client Addr.	
		Contacts	Alireza
		Contact	

Part NO.	1100047066
----------	------------

Product Picture	Note
	<p>Product introduction</p> <p>Horizontal multistage non-self-priming centrifugal pump with close coupling motor; Impellers and diffusers are made of stainless steel plate with stamping and welding technology; Axial inlet and radial outlet.</p> <p>Performance and advantages</p> <p>Compact structure Low noise Suitable for slightly corrosive liquid Small installation space</p> <p>Application</p>

technology	
Pump rotator speed	2900
Pump version	2
Material	
Impeller	304
Rubber code	P
Material Code	S
Installation	
Connection Code	L
Installation type	horizontal
Maximum Pressure/Temperature	10 bar
Maximum Pressure/Temperature	10 bar
Medium	
Medium Temperature normal	-15+70
Medium Temperature high t	-15+105
Maximum Environment Temper	40
Structure dimension	
Inlet Bore	G1
Outlet Diameter	G1
Rotation Direction	Clockwise
Motor	
Number of Motor Phase	Three Phase
Protection Class	IP55
Insulation Class	F
Motor Power	0.37
Power Frequency	50
Rated Voltage (V)	380V
Energy Efficiency Level	IE2
Seal	
Mechanical Seal	CHL-16/BSF4
Others	
Weight (kg)	10



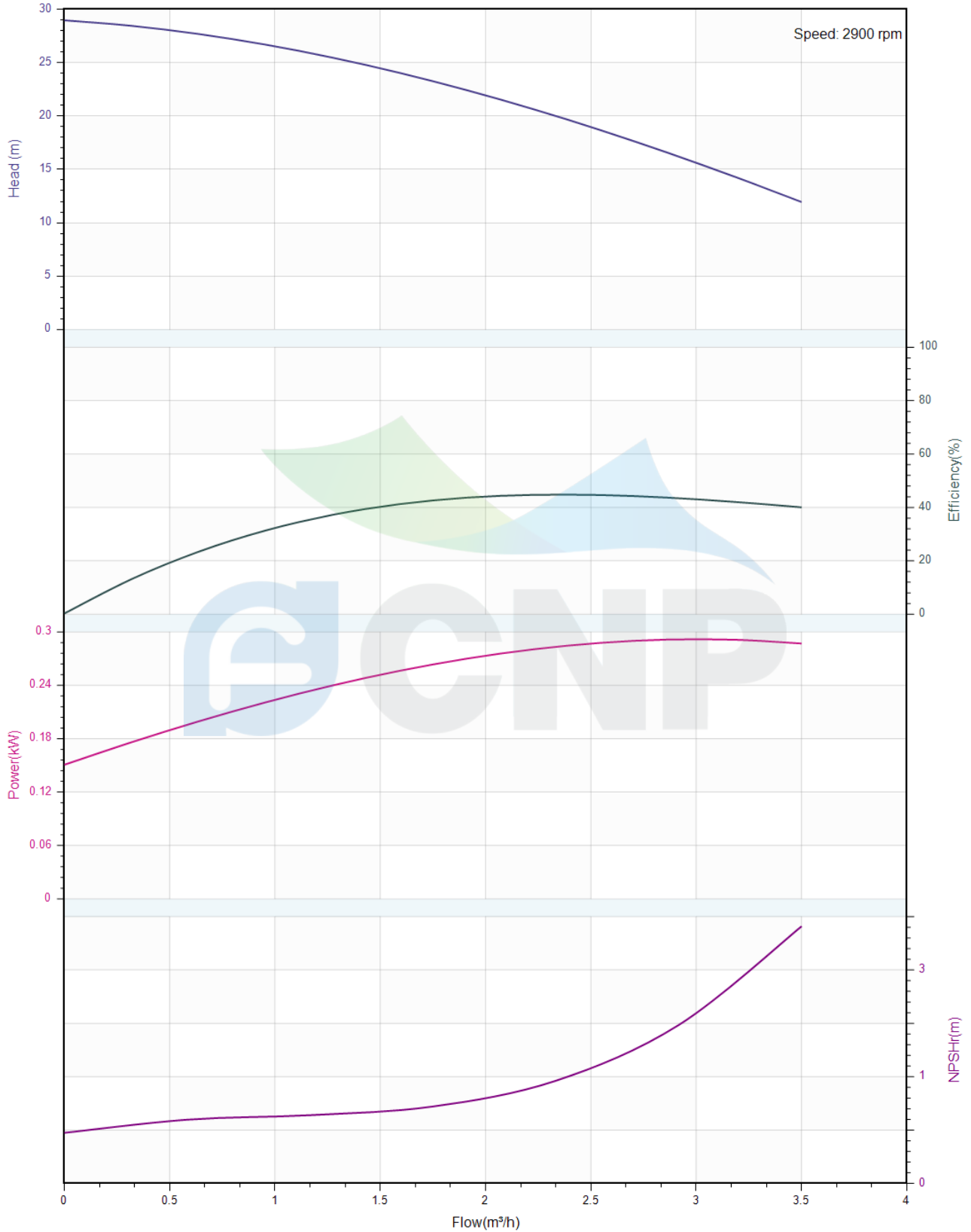
Performance Curve CHL2-30

Manufacturer	CNP
Address	Yuhang District, Hangzhou, Zhejiang,
Contact	86-571-88637351
Date	2022/03/06
Client Name	DPA
Client Addr.	
Contacts	Alireza
Contact	

Project Name

Item NO

The hydraulic performance curve have been tested with Clean Water at 20°C, density 1000kg/m³, and at 1bar atmospheric pressure. ISO99062012 Grade 3B





Pump Technical Parameters CHL2-30

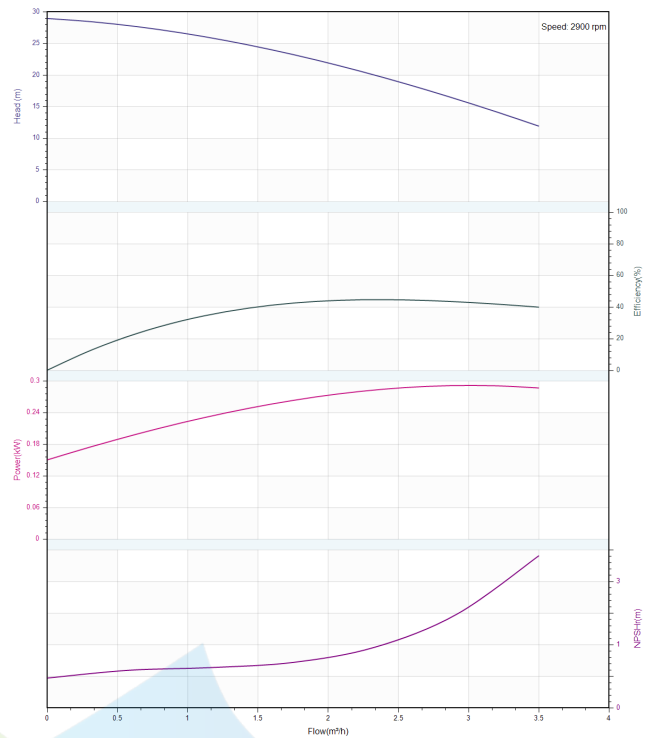
Manufacturer	CNP
Address	Yuhang District, Hangzhou, Zhejiang,
Contact	86-571-88637351
Date	2022/03/06
Client Name	DPA
Client Addr.	
Contacts	Alireza
Contact	

Rated parameters

Pump model	CHL2-30
Part NO.	1100047066
Rated flow (m ³ /h)	2
Rated head (m)	22
Rated efficiency (%)	41
Power (kW)	0.29
NPSHr (m)	2
Speed (rpm)	2900
Max impeller diameter (mm)	90

Medium

Pumped medium	Clean Water
Working temperature (°C)	20
Medium density (kg/m ³)	1000
Viscosity (mm ² /s)	1



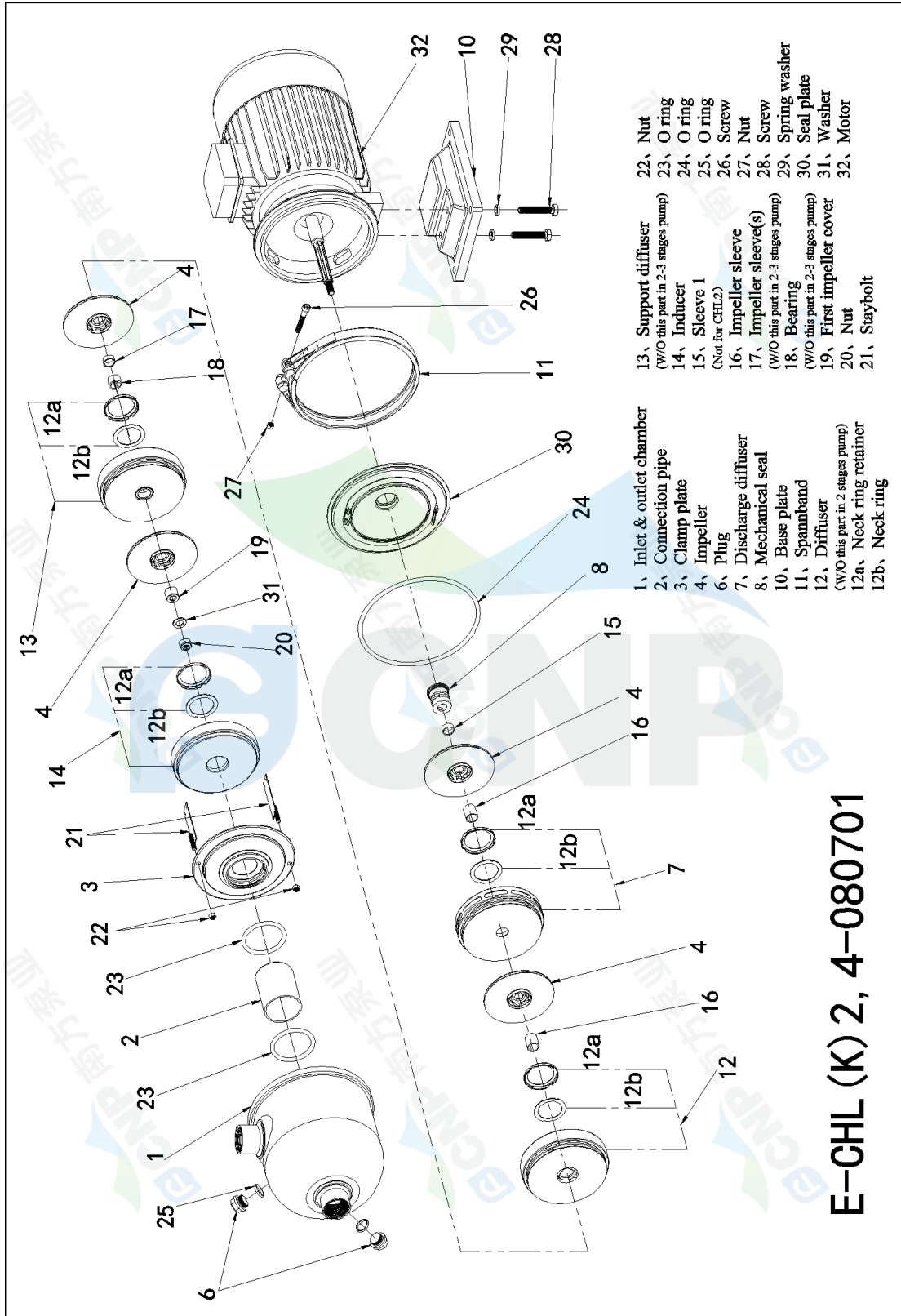


Structure picture
CHL2-30

Manufacturer	CNP
Address	Yuhang District, Hangzhou, Zhejiang,
Contact	86-571-88637351
Date	2022/03/06
Client Name	DPA
Client Addr.	
Contacts	Alireza
Contact	

Project Name

Item NO



- 1, Inlet & outlet chamber
- 2, Connection pipe
- 3, Clamp plate
- 4, Impeller
- 6, Plug
- 7, Discharge diffuser
- 8, Mechanical seal
- 10, Base plate
- 11, Spannband
- 12, Diffuser (w/o this part in 2 stages pump)
- 12a, Neck ring retainer
- 12b, Neck ring
- 13, Support diffuser (w/o this part in 2-3 stages pump)
- 14, Inducer
- 15, Sleeve 1 (Not for CHL2)
- 16, Impeller sleeve
- 17, Impeller sleeve(s) (w/o this part in 2-3 stages pump)
- 18, Bearing
- 19, First impeller cover (w/o this part in 2 stages pump)
- 20, Nut
- 21, Staybolt
- 22, Nut
- 23, O ring
- 24, O ring
- 25, O ring
- 26, Screw
- 27, Nut
- 28, Screw
- 29, Spring washer
- 30, Seal plate
- 31, Washer
- 32, Motor

E-CHL (K) 2, 4-080701

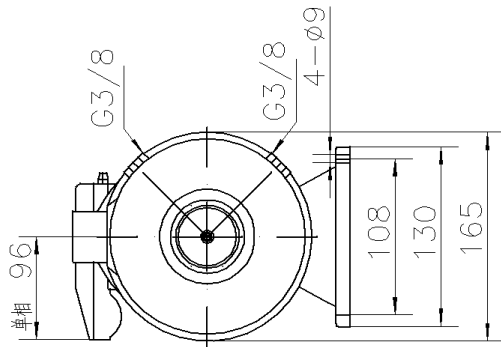


Dimension Drawing CHL2-30

Manufacturer	CNP
Address	Yuhang District, Hangzhou, Zhejiang,
Contact	86-571-88637351
Date	2022/03/06
Client Name	DPA
Client Addr.	
Contacts	Alireza
Contact	

Project Name

Item NO



CHL/CHLK2-20 50HZ
CHL/CHLK2-30 50HZ
CHL/CHLK2-40 50HZ
CHL/CHLK2-50 50HZ

