
	Product Information CHL15-30	Manufacturer	CNP
		Address	Yuhang District, Hangzhou, Zhejiang,
Project Name		Contact	86-571-88637351
		Date	2022/03/06
		Client Name	DPA
Item NO		Client Addr.	
		Contacts	Alireza
		Contact	

Part NO.	1100154503
----------	------------

Product Picture	Note
	<p>Product introduction</p> <p>Horizontal multistage non-self-priming centrifugal pump with close coupling motor; Impellers and diffusers are made of stainless steel plate with stamping and welding technology; Axial inlet and radial outlet.</p> <p>Performance and advantages</p> <p>Compact structure Low noise Suitable for slightly corrosive liquid Small installation space</p> <p>Application</p>

technology	
Pump rotator speed	2900
Pump version	2
Material	
Impeller	304
Rubber code	P
Material Code	S
Installation	
Connection Code	L
Installation type	horizontal
Maximum Pressure/Temperatu	10 bar
Maximum Pressure/Temperatu	10 bar
Medium	
Medium Temperature normal	-15+70
Medium Temperature high t	-15+105
Maximum Environment Temper	40
Structure dimension	
Inlet Bore	G2
Outlet Diameter	G2
Rotation Direction	Clockwise
Motor	
Number of Motor Phase	Three Phase
Protection Class	IP55
Insulation Class	F
Motor Power	3
Power Frequency	50
Rated Voltage (V)	380V
Energy Efficiency Level	IE2
Seal	
Mechanical Seal	CHL-20/BSF6
Others	
Weight (kg)	34



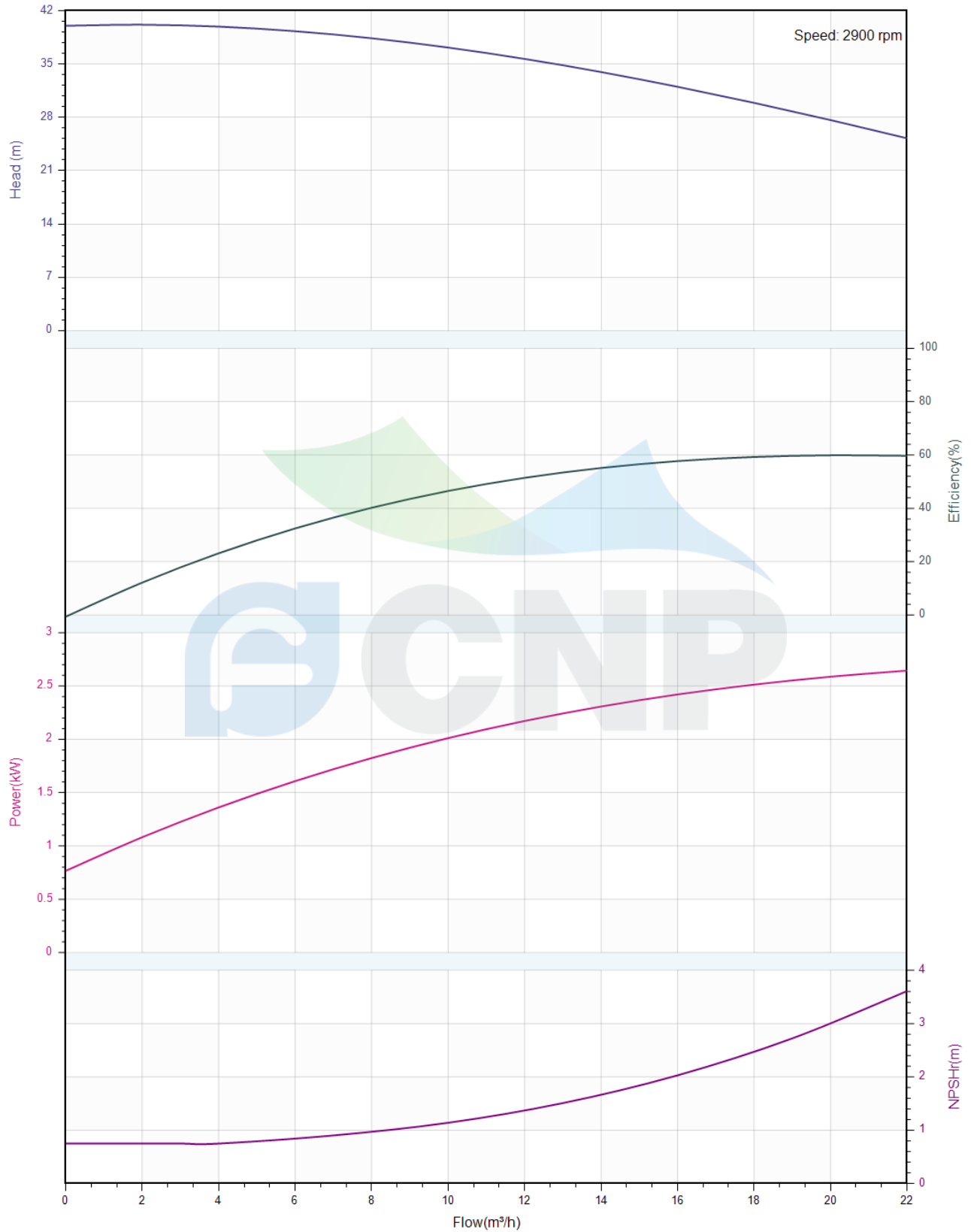
Performance Curve CHL15-30

Manufacturer	CNP
Address	Yuhang District, Hangzhou, Zhejiang,
Contact	86-571-88637351
Date	2022/03/06
Client Name	DPA
Client Addr.	
Contacts	Alireza
Contact	

Project Name

Item NO

The hydraulic performance curve have been tested with Clean Water at 20°C, density 1000kg/m³, and at 1bar atmospheric pressure. ISO99062012 Grade 3B





Pump Technical Parameters CHL15-30

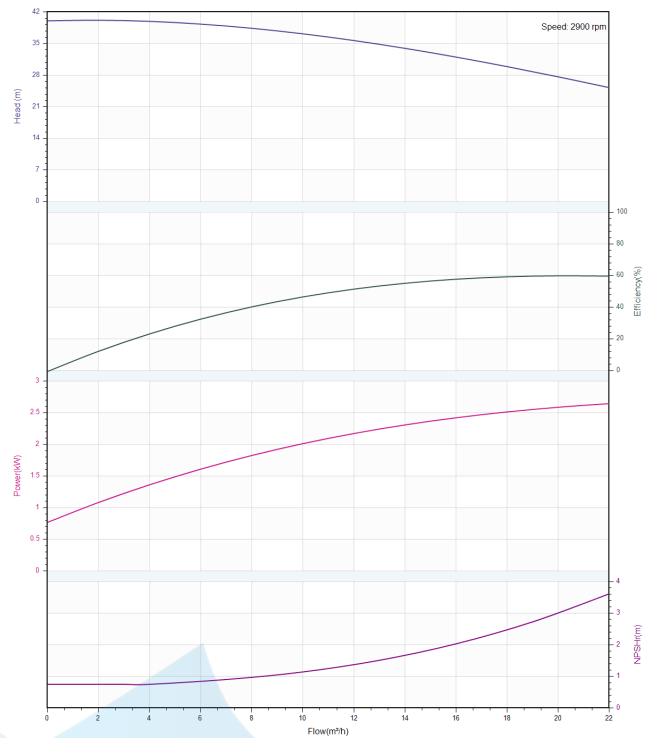
Manufacturer	CNP
Address	Yuhang District, Hangzhou, Zhejiang,
Contact	86-571-88637351
Date	2022/03/06
Client Name	DPA
Client Addr.	
Contacts	Alireza
Contact	

Rated parameters

Pump model	CHL15-30
Part NO.	1100154503
Rated flow (m ³ /h)	15
Rated head (m)	33
Rated efficiency (%)	66
Power (kW)	2.04
NPSHr (m)	2.5
Speed (rpm)	2900
Max impeller diameter (mm)	104.8

Medium

Pumped medium	Clean Water
Working temperature (°C)	20
Medium density (kg/m ³)	1000
Viscosity (mm ² /s)	1



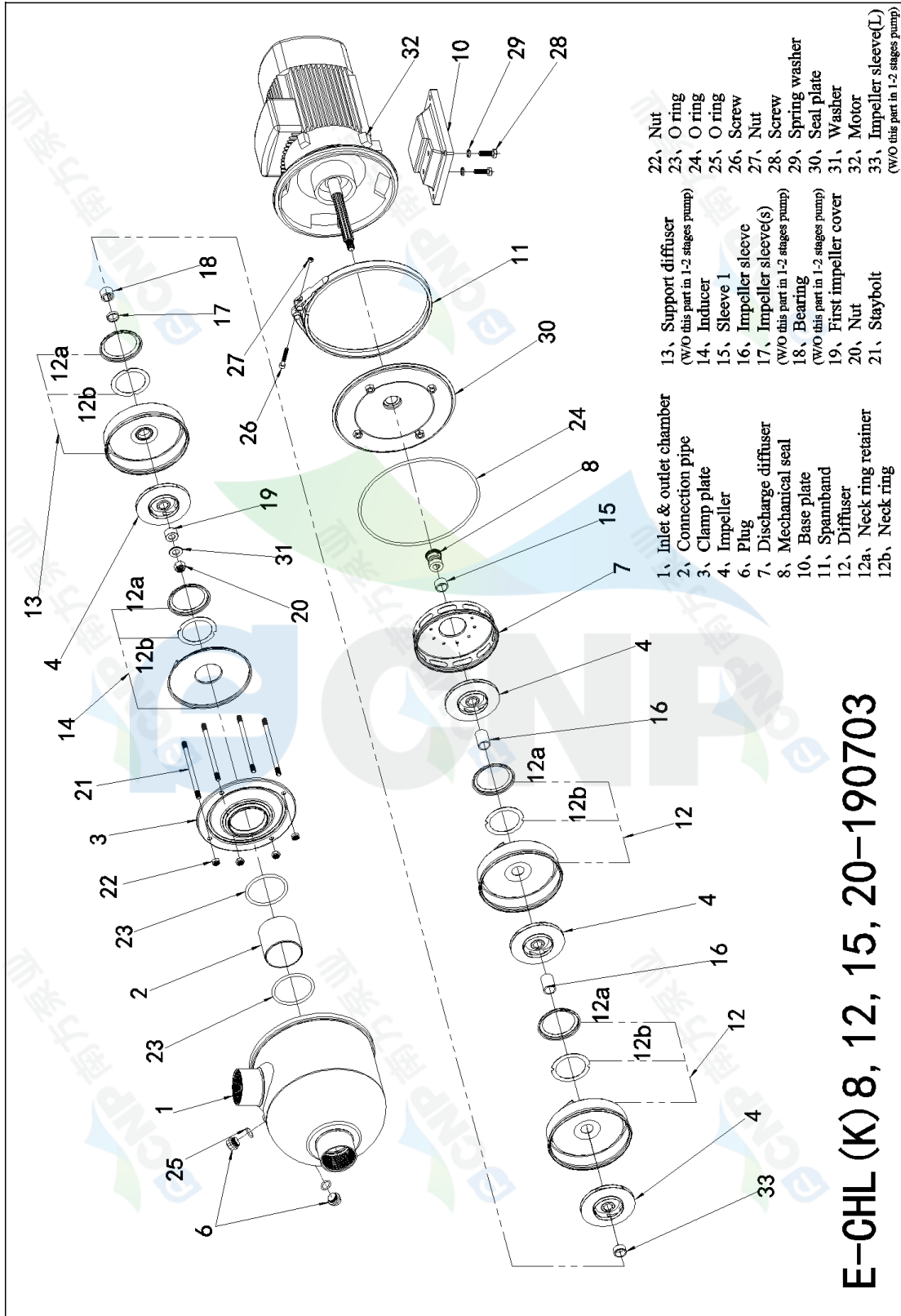


Structure picture
CHL15-30

Manufacturer	CNP
Address	Yuhang District, Hangzhou, Zhejiang,
Contact	86-571-88637351
Date	2022/03/06
Client Name	DPA
Client Addr.	
Contacts	Alireza
Contact	

Project Name

Item NO



E-CHL (K) 8, 12, 15, 20-190703

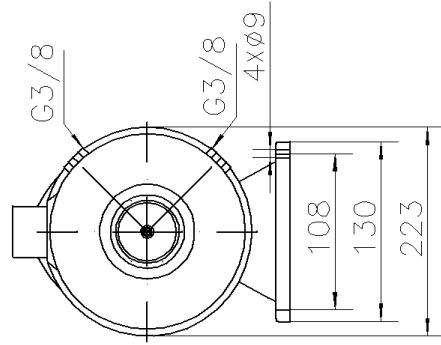


Dimension Drawing
CHL15-30

Manufacturer	CNP
Address	Yuhang District, Hangzhou, Zhejiang,
Contact	86-571-88637351
Date	2022/03/06
Client Name	DPA
Client Addr.	
Contacts	Alireza
Contact	

Project Name

Item NO



CHL/CHLK15-30 50HZ

