
	Product Information CHL12-50	Manufacturer	CNP
		Address	Yuhang District, Hangzhou, Zhejiang,
Project Name		Contact	86-571-88637351
		Date	2022/03/06
		Client Name	DPA
Item NO		Client Addr.	
		Contacts	Alireza
		Contact	

Part NO.	1100047758
----------	------------

Product Picture	Note
	<p>Product introduction</p> <p>Horizontal multistage non-self-priming centrifugal pump with close coupling motor; Impellers and diffusers are made of stainless steel plate with stamping and welding technology; Axial inlet and radial outlet.</p> <p>Performance and advantages</p> <p>Compact structure Low noise Suitable for slightly corrosive liquid Small installation space</p> <p>Application</p>

technology

Pump rotator speed	2900
Pump version	2

Material

Impeller	304
Rubber code	P
Material Code	S

Installation

Connection Code	L
Installation type	horizontal
Maximum Pressure/Temperature	10 bar
Maximum Pressure/Temperature	10 bar

Medium

Medium Temperature normal	-15+70
Medium Temperature high t	-15+105
Maximum Environment Temper	40

Structure dimension

Inlet Bore	G2
Outlet Diameter	G2
Rotation Direction	Clockwise

Motor

Number of Motor Phase	Three Phase
Protection Class	IP55
Insulation Class	F
Motor Power	3
Power Frequency	50
Rated Voltage (V)	380V
Energy Efficiency Level	IE2

Seal

Mechanical Seal	CHL-20/BSF4
-----------------	-------------

Others

Weight (kg)	37
-------------	----



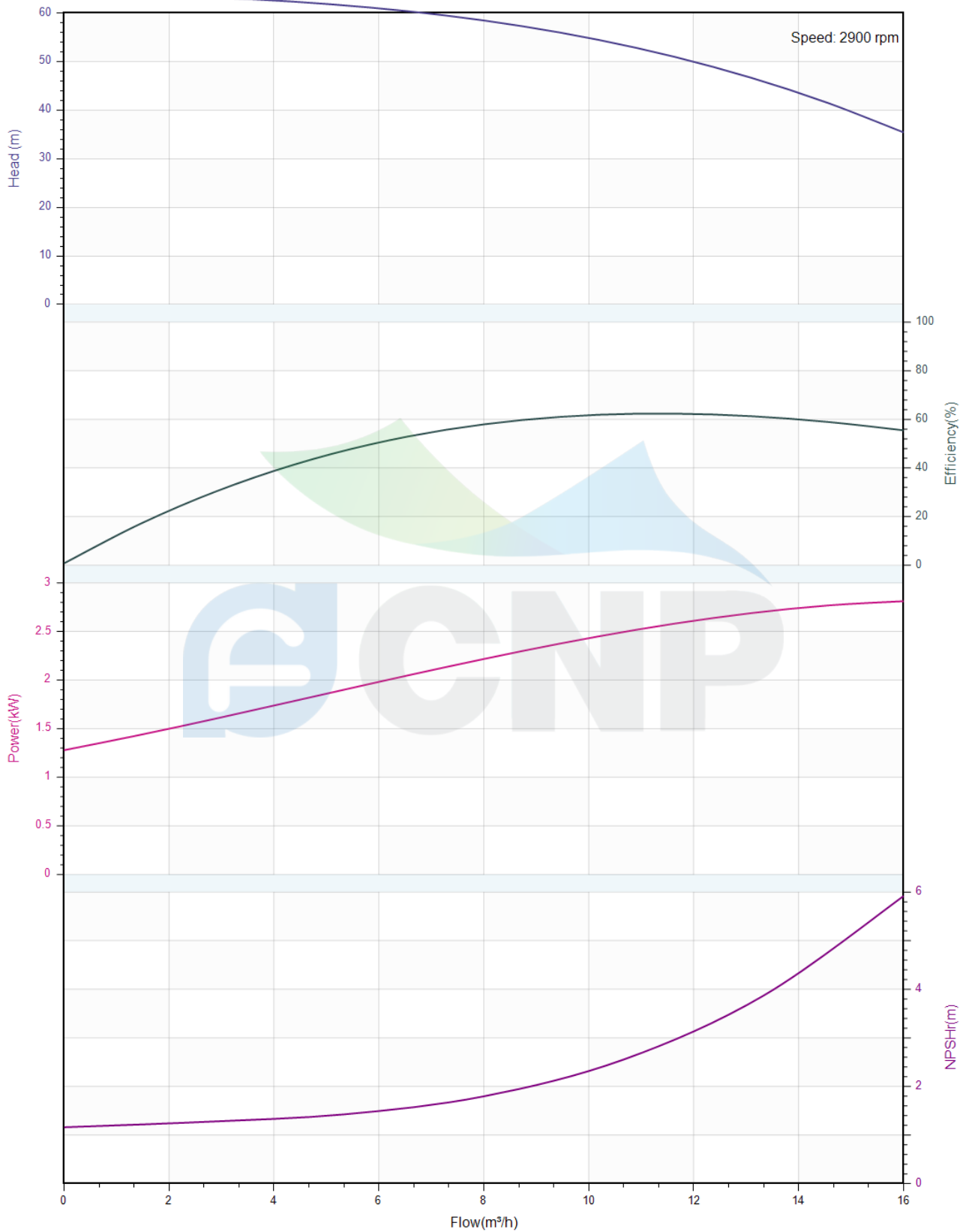
Performance Curve CHL12-50

Manufacturer	CNP
Address	Yuhang District, Hangzhou, Zhejiang,
Contact	86-571-88637351
Date	2022/03/06
Client Name	DPA
Client Addr.	
Contacts	Alireza
Contact	

Project Name

Item NO

The hydraulic performance curve have been tested with Clean Water at 20°C, density 1000kg/m³, and at 1bar atmospheric pressure. ISO99062012 Grade 3B





Pump Technical Parameters CHL12-50

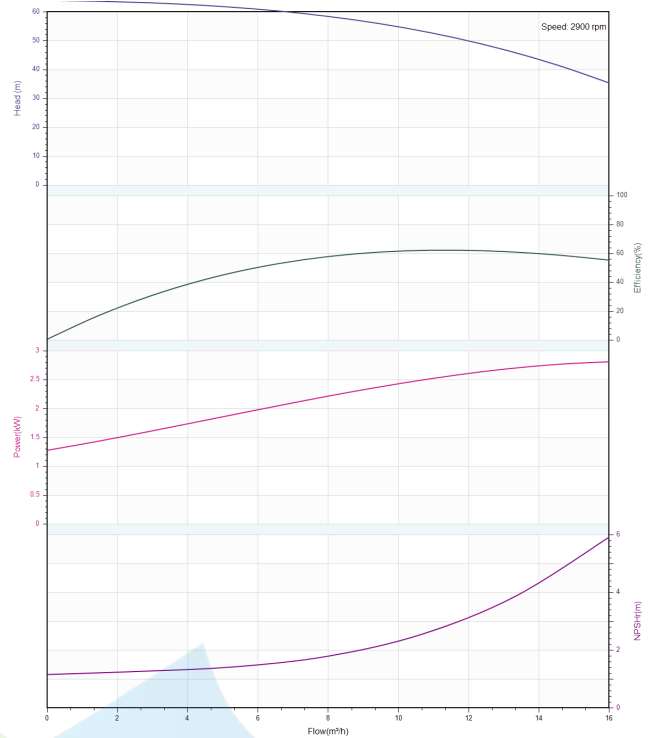
Manufacturer	CNP
Address	Yuhang District, Hangzhou, Zhejiang,
Contact	86-571-88637351
Date	2022/03/06
Client Name	DPA
Client Addr.	
Contacts	Alireza
Contact	

Rated parameters

Pump model	CHL12-50
Part NO.	1100047758
Rated flow (m ³ /h)	12
Rated head (m)	50
Rated efficiency (%)	60
Power (kW)	2.73
NPSHr (m)	2.5
Speed (rpm)	2900
Max impeller diameter (mm)	105

Medium

Pumped medium	Clean Water
Working temperature (°C)	20
Medium density (kg/m ³)	1000
Viscosity (mm ² /s)	1



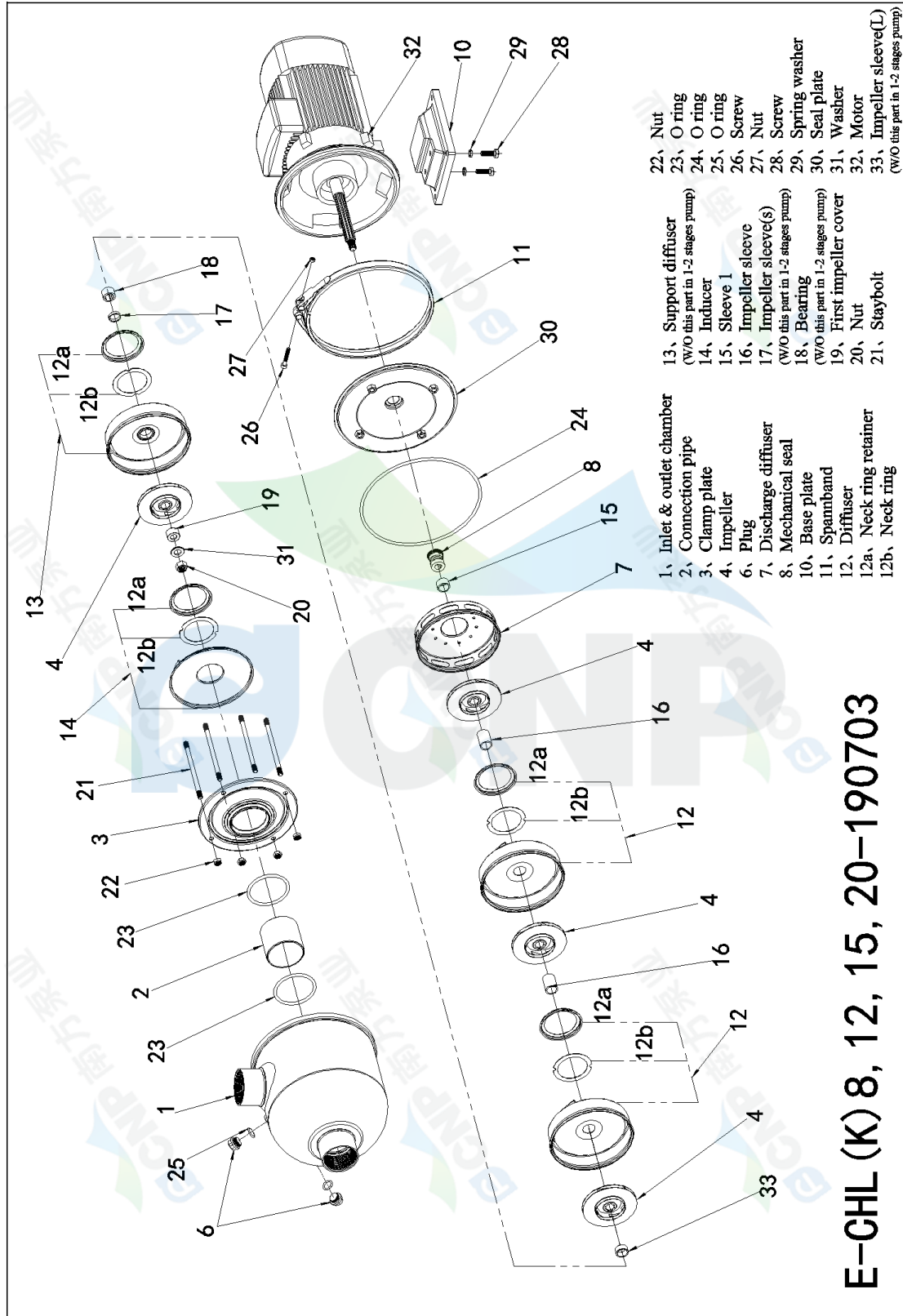


Structure picture
CHL12-50

Manufacturer	CNP
Address	Yuhang District, Hangzhou, Zhejiang,
Contact	86-571-88637351
Date	2022/03/06
Client Name	DPA
Client Addr.	
Contacts	Alireza
Contact	

Project Name

Item NO



- 1, Inlet & outlet chamber
- 2, Connection pipe
- 3, Clamp plate
- 4, Impeller
- 6, Plug
- 7, Discharge diffuser
- 8, Mechanical seal
- 10, Base plate
- 11, Spannband
- 12, Diffuser
- 12a, Neck ring retainer
- 12b, Neck ring
- 13, Support diffuser (W/O this part in 1-2 stages pump)
- 14, Inducer
- 15, Sleeve 1
- 16, Impeller sleeve
- 17, Impeller sleeve(s) (W/O this part in 1-2 stages pump)
- 18, Bearing (W/O this part in 1-2 stages pump)
- 19, First impeller cover
- 20, Nut
- 21, Staybolt
- 22, Nut
- 23, O ring
- 24, O ring
- 25, O ring
- 26, Screw
- 27, Nut
- 28, Screw
- 29, Spring washer
- 30, Seal plate
- 31, Washer
- 32, Motor
- 33, Impeller sleeve(L) (W/O this part in 1-2 stages pump)

E-CHL (K) 8, 12, 15, 20-190703

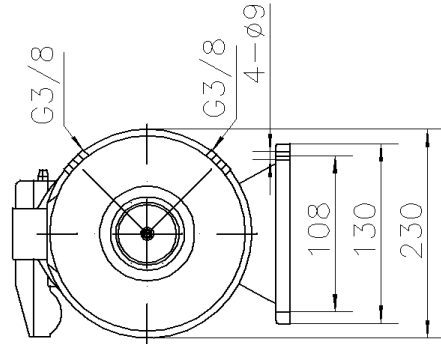


Dimension Drawing CHL12-50

Manufacturer	CNP
Address	Yuhang District, Hangzhou, Zhejiang,
Contact	86-571-88637351
Date	2022/03/06
Client Name	DPA
Client Addr.	
Contacts	Alireza
Contact	

Project Name

Item NO



CHL/CHLK12-50 50HZ

