	<b>Product Information</b>  <b>CDL85-40</b>	Manufacturer	CNP
		Address	Yuhang District, Hangzhou, Zhejiang,
Project Name		Contact	86-571-88637351
		Date	2022/03/05
Item NO		Client Name	DPA
		Client Addr.	
		Contacts	Alireza
		Contact	

Part NO.	1100001761
----------	------------

Product Picture	Note
	<p>Non-self-priming vertical multistage centrifugal pump, the motor shaft through the coupling shaft is coupled directly to the impeller vanes made of stainless steel plate stamping and welding or precision casting made of stainless steel, the pump inlet and outlet of the pump bottom at the same line (it can be equipped with IEC or NEMA motors).</p>

### technology

Pump rotator speed	2900
Nameplate standards	CE
Pump version	2

### Material

Impeller	316
Rubber code	E
Inlet&outlet chamber	316L
Material Code	L

### Installation

Connection Code	F
Maximum Pressure/Temperatur	25 bar / 120
Maximum Pressure/Temperatur	25 bar / -15
Flange Standard	DIN
Pressure Class	PN16
Inlet & outlet	DN100

### Medium

Medium Temperature normal	-15+70
Medium Temperature high t	-15+120
Maximum Environment Temper	40

### Motor

Number of Motor Phase	Three Phase
Protection Class	IP55
Insulation Class	F
Motor Power	30KW
Power Frequency	50HZ
Rated Voltage (V)	380V
Rated Current (A)	54.9A
Energy Efficiency Level	IE3

### Seal

Mechanical Seal	CDLA-22/WBF16
-----------------	---------------

### Others

Weight (kg)	312
-------------	-----



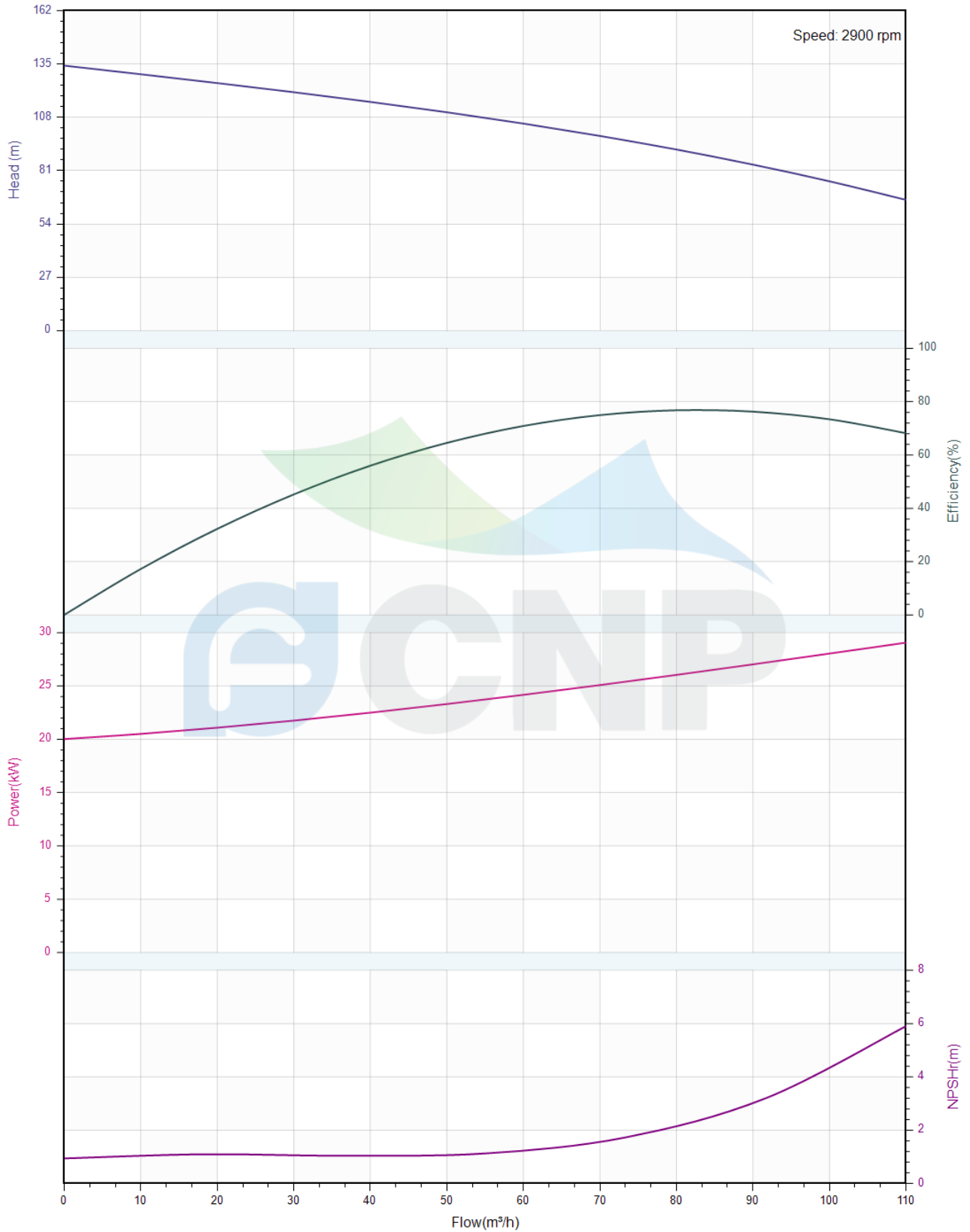
# Performance Curve CDL85-40

Manufacturer	CNP
Address	Yuhang District, Hangzhou, Zhejiang,
Contact	86-571-88637351
Date	2022/03/05
Client Name	DPA
Client Addr.	
Contacts	Alireza
Contact	

Project Name

Item NO

The hydraulic performance curve have been tested with Clean Water at 20°C, density 1000kg/m<sup>3</sup>, and at 1bar atmospheric pressure. ISO99062012 Grade 3B





## Pump Technical Parameters CDL85-40

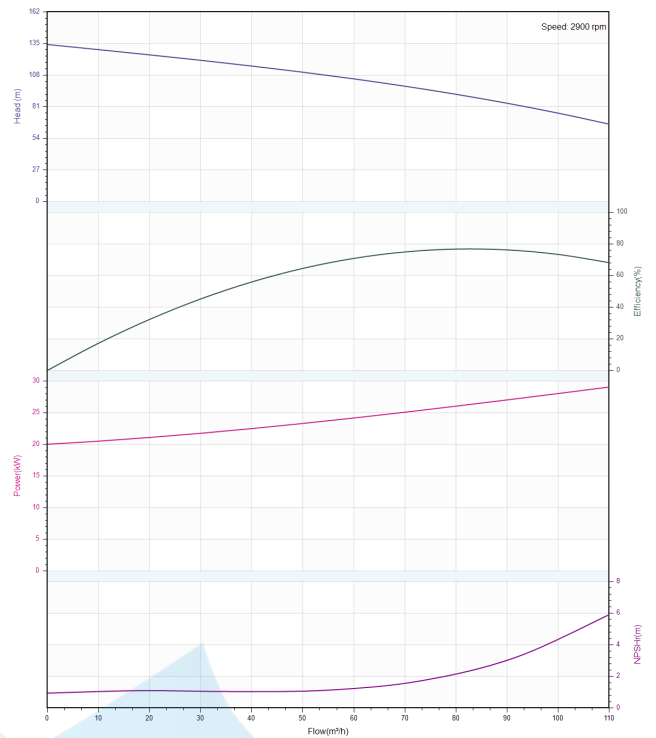
Manufacturer	CNP
Address	Yuhang District, Hangzhou, Zhejiang,
Contact	86-571-88637351
Date	2022/03/05
Client Name	DPA
Client Addr.	
Contacts	Alireza
Contact	

### Rated parameters

Pump model	CDL85-40
Part NO.	1100001761
Rated flow (m <sup>3</sup> /h)	85
Rated head (m)	86
Rated efficiency (%)	73.9
Power (kW)	27
NPSHr (m)	2.5
Speed (rpm)	2900
Max impeller diameter (mm)	146

### Medium

Pumped medium	Clean Water
Working temperature (°C)	20
Medium density (kg/m <sup>3</sup> )	1000
Viscosity (mm <sup>2</sup> /s)	1



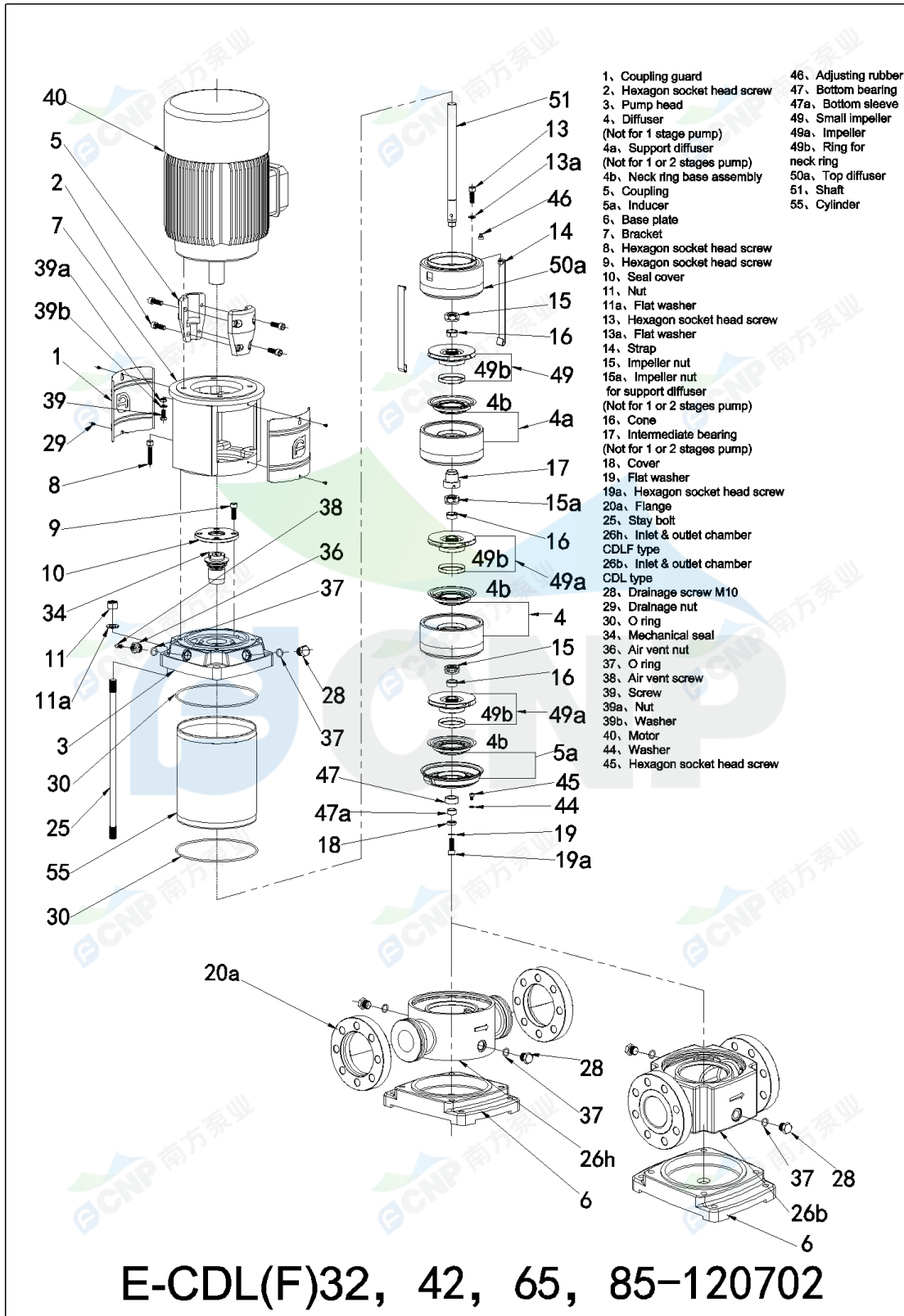


**Structure picture**  
**CDL85-40**

Manufacturer	CNP
Address	Yuhang District, Hangzhou, Zhejiang,
Contact	86-571-88637351
Date	2022/03/05
Client Name	DPA
Client Addr.	
Contacts	Alireza
Contact	

Project Name

Item NO





### Dimension Drawing CDL85-40

Manufacturer	CNP
Address	Yuhang District, Hangzhou, Zhejiang,
Contact	86-571-88637351
Date	2022/03/05
Client Name	DPA
Client Addr.	
Contacts	Alireza
Contact	

Project Name

Item NO

CDL85-40/CDL85-40-2

