


|  |  |              |                                      |
|--|--|--------------|--------------------------------------|
|  | <b>Product Information</b><br><b>CDL150-50-1</b> | Manufacturer | CNP                                  |
|  |  | Address      | Yuhang District, Hangzhou, Zhejiang, |
| Project Name   |  | Contact      | 86-571-88637351                      |
|  |  | Date         | 2022/03/05                           |
| Item NO  |  | Client Name  | DPA                                  |
|  |  | Client Addr. |                                      |
|  |  | Contacts     | Alireza                              |
|  |  | Contact      |                                      |

|          |            |
|----------|------------|
| Part NO. | 1100001161 |
|----------|------------|

| Product Picture   | Note  |
|---|---|
|  | <p>Non-self-priming vertical multistage centrifugal pump, the motor shaft through the coupling shaft is coupled directly to the impeller vanes made of stainless steel plate stamping and welding or precision casting made of stainless steel, the pump inlet and outlet of the pump bottom at the same line (it can be equipped with IEC or NEMA motors).</p> |

|                            |               |
|----------------------------|---------------|
| <b>technology</b>          |               |
| Pump rotator speed         | 2950          |
| Nameplate standards        | CE            |
| Pump version               | 2             |
| <b>Material</b>            |               |
| Impeller                   | 304           |
| Rubber code                | P             |
| Inlet&outlet chamber       | 304           |
| Material Code              | S             |
| <b>Installation</b>        |               |
| Connection Code            | F             |
| Maximum Pressure/Temperatu | 25 bar / 120  |
| Maximum Pressure/Temperatu | 25 bar / -15  |
| Flange Standard            | DIN           |
| Pressure Class             | PN25-40       |
| Inlet & outlet             | DN125         |
| <b>Medium</b>              |               |
| Medium Temperature normal  | -15+70        |
| Medium Temperature high t  | -15+120       |
| Maximum Environment Temper | 40            |
| <b>Motor</b>               |               |
| Number of Motor Phase      | Three Phase   |
| Protection Class           | IP55          |
| Insulation Class           | F             |
| Motor Power                | 75KW          |
| Power Frequency            | 50HZ          |
| Rated Voltage (V)          | 380V          |
| Rated Current (A)          | 134A          |
| Energy Efficiency Level    | IE3           |
| <b>Seal</b>                |               |
| Mechanical Seal            | CDLA-32/WBF14 |
| <b>Others</b>              |               |
| Weight (kg)                | 690           |



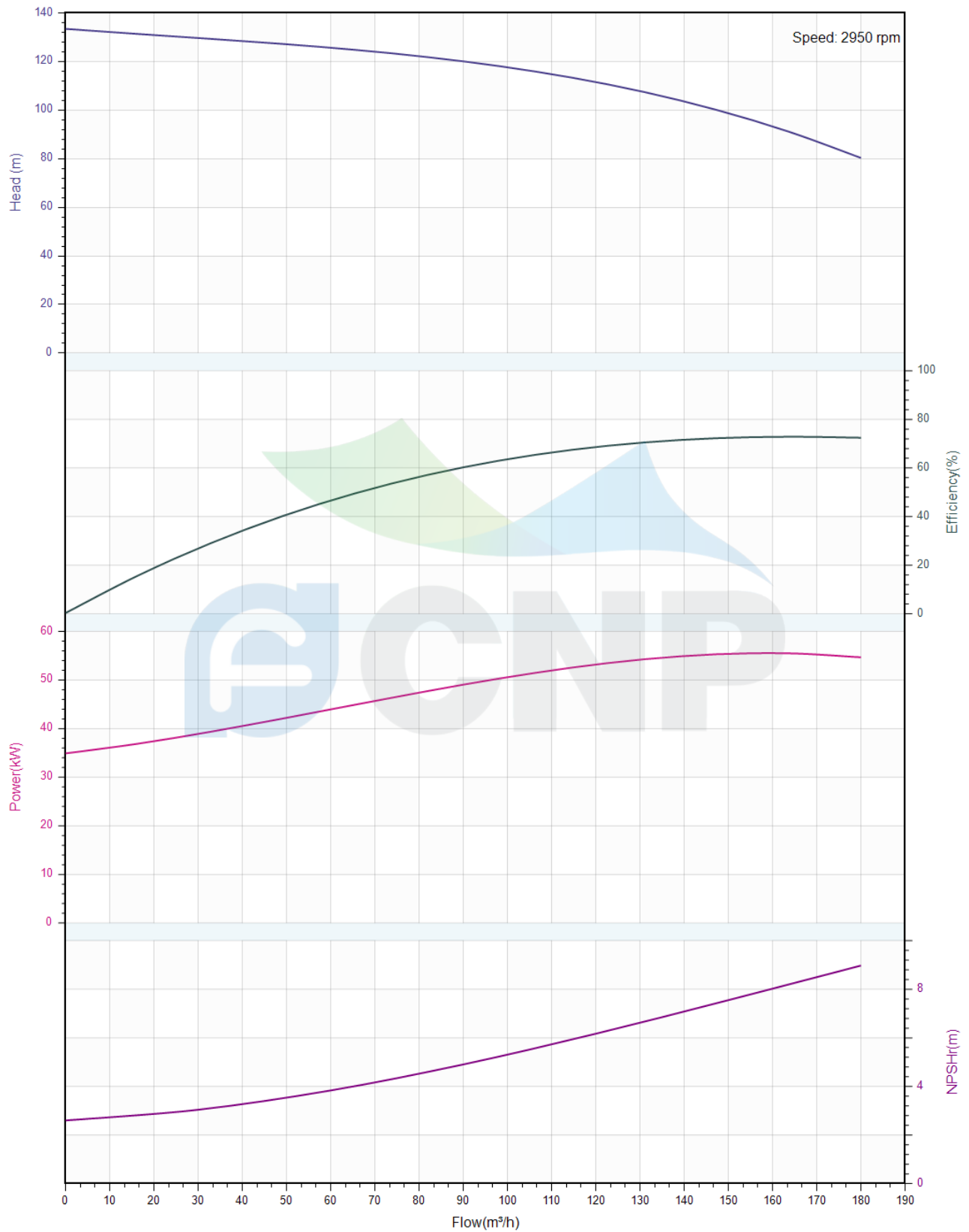
# Performance Curve CDL150-50-1

|              |                                      |
|--------------|--------------------------------------|
| Manufacturer | CNP                                  |
| Address      | Yuhang District, Hangzhou, Zhejiang, |
| Contact      | 86-571-88637351                      |
| Date         | 2022/03/05                           |
| Client Name  | DPA                                  |
| Client Addr. |                                      |
| Contacts     | Alireza                              |
| Contact      |                                      |

Project Name

Item NO

The hydraulic performance curve have been tested with Clean Water at 20°C, density 1000kg/m<sup>3</sup>, and at 1bar atmospheric pressure. ISO99062012 Grade 3B





## Pump Technical Parameters CDL150-50-1

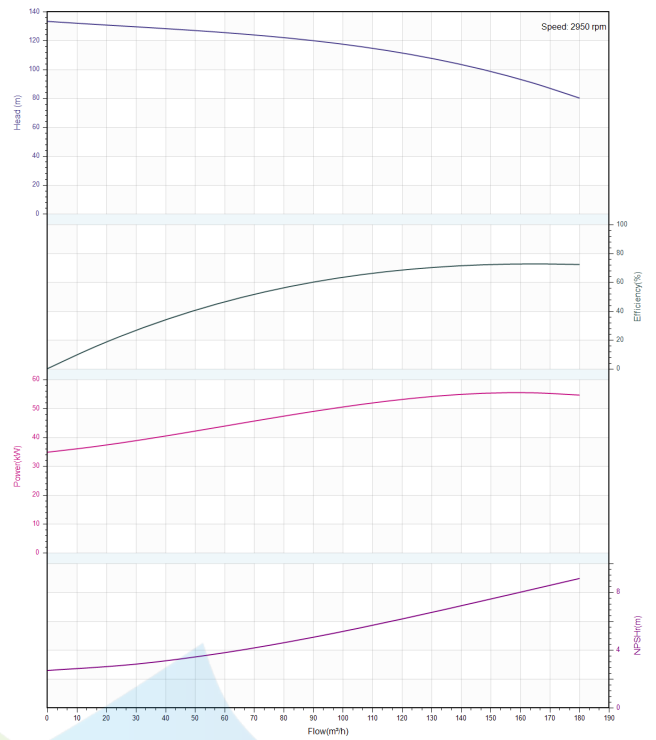
|              |                                      |
|--------------|--------------------------------------|
| Manufacturer | CNP                                  |
| Address      | Yuhang District, Hangzhou, Zhejiang, |
| Contact      | 86-571-88637351                      |
| Date         | 2022/03/05                           |
| Client Name  | DPA                                  |
| Client Addr. |                                      |
| Contacts     | Alireza                              |
| Contact      |                                      |

### Rated parameters

|                                |             |
|--------------------------------|-------------|
| Pump model                     | CDL150-50-1 |
| Part NO.                       | 1100001161  |
| Rated flow (m <sup>3</sup> /h) | 150         |
| Rated head (m)                 | 99          |
| Rated efficiency (%)           | 75.8        |
| Power (kW)                     | 53.39       |
| NPSHr (m)                      | 6.5         |
| Speed (rpm)                    | 2950        |
| Max impeller diameter (mm)     | 151.5       |

### Medium

|                                     |             |
|-------------------------------------|-------------|
| Pumped medium                       | Clean Water |
| Working temperature (°C)            | 20          |
| Medium density (kg/m <sup>3</sup> ) | 1000        |
| Viscosity (mm <sup>2</sup> /s)      | 1           |



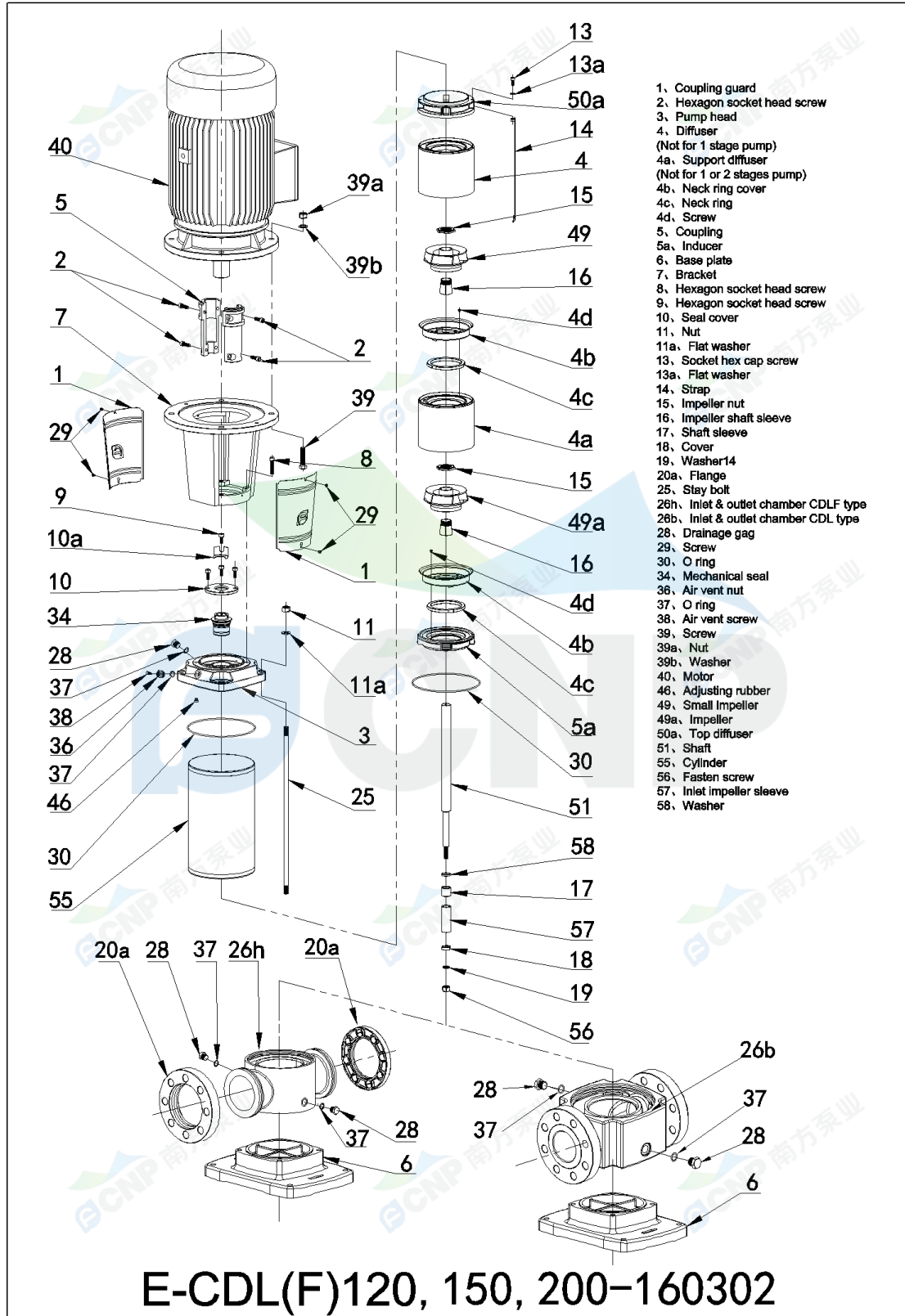


**Structure picture**  
**CDL150-50-1**

|              |                                      |
|--------------|--------------------------------------|
| Manufacturer | CNP                                  |
| Address      | Yuhang District, Hangzhou, Zhejiang, |
| Contact      | 86-571-88637351                      |
| Date         | 2022/03/05                           |
| Client Name  | DPA                                  |
| Client Addr. |                                      |
| Contacts     | Alireza                              |
| Contact      |                                      |

Project Name

Item NO





**Dimension Drawing**  
**CDL150-50-1**

|              |                                      |
|--------------|--------------------------------------|
| Manufacturer | CNP                                  |
| Address      | Yuhang District, Hangzhou, Zhejiang, |
| Contact      | 86-571-88637351                      |
| Date         | 2022/03/05                           |
| Client Name  | DPA                                  |
| Client Addr. |                                      |
| Contacts     | Alireza                              |
| Contact      |                                      |

Project Name

Item NO

