

Receiver
From

 Society
 Reference
 Address
 Phone
 Fax
 E-mail

Item n° :

505947040

Model :

BPH-E 120/340.65 M

Pump data

 Pressure rating : PN 10
 Min. fluid temperature : -10
 Max. fluid temperature : 120

Minimum suction head :

Temperature	°C	75	90	110	120
Minimum suction head :	m	7	11	18	--

Requested data

 Flow : 0.00 m³/h
 Head : 0.00 m
 Fluid (%) : Antifrogen L
 Fluid Temperature : 20 °C
 Density : 998.3 kg/m³
 Kinematic viscosity : 1.005 mm²/s
 Vapor pressure : 100.00 kPa

Hydraulic data (duty point)

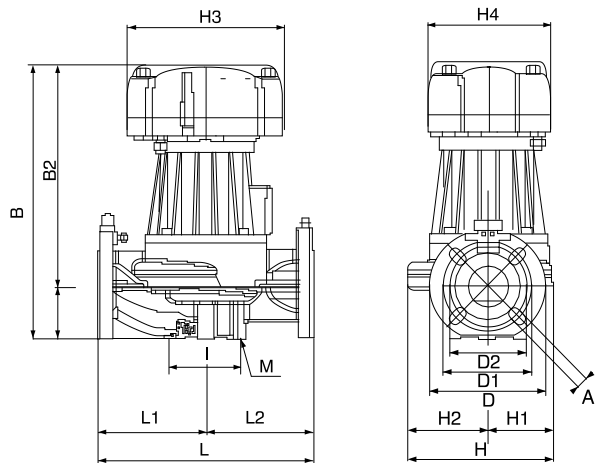
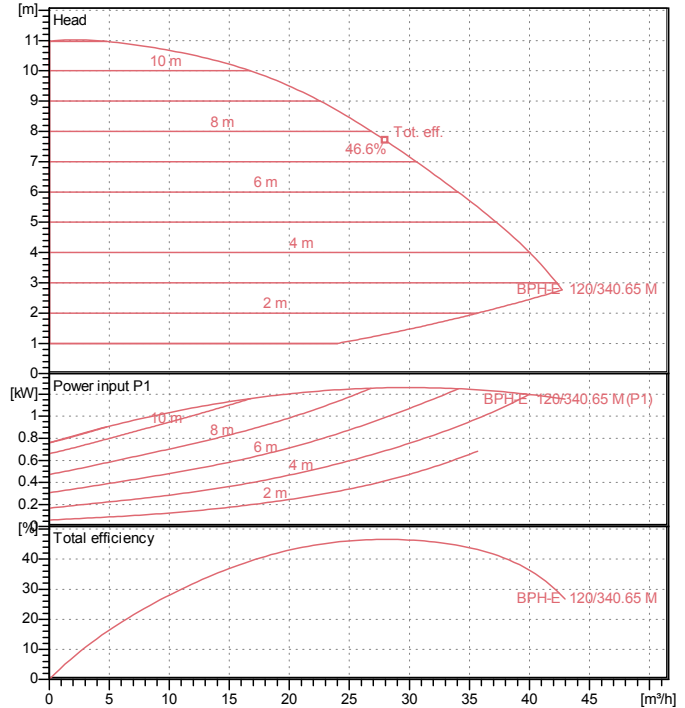
 Flow :
 Head :

Materials

Pump body	Cast iron 200 UNI ISO 185
Impeller	Technopolymer B
Motor shaft	Stainless steel
Air vent plug	Brass P Cu Zn40 Pb2 UNI 5705
Seal ring	Ethylene propylene (EPDM)
Motor casing	Die cast aluminium
Stator jacket	Stainless steel

Motor data

Motor brand :	DAB
Power input P1	1.262 kW
Rated speed :	2800 rpm
Rated voltage :	1~ 230 V 50 Hz
Nominal current :	6.72 A
Degree of protection :	IP 44

Curve tolerance according to ISO 9906

Dimensions in mm

A	18	D	185	D4	65	H3	250
B	487	D1	145	H	231	H4	196
B1	82	D2	130	H1	100	I	100
B2	405	D3	110	H2	131	I1	-

Weight : 36.9 kg

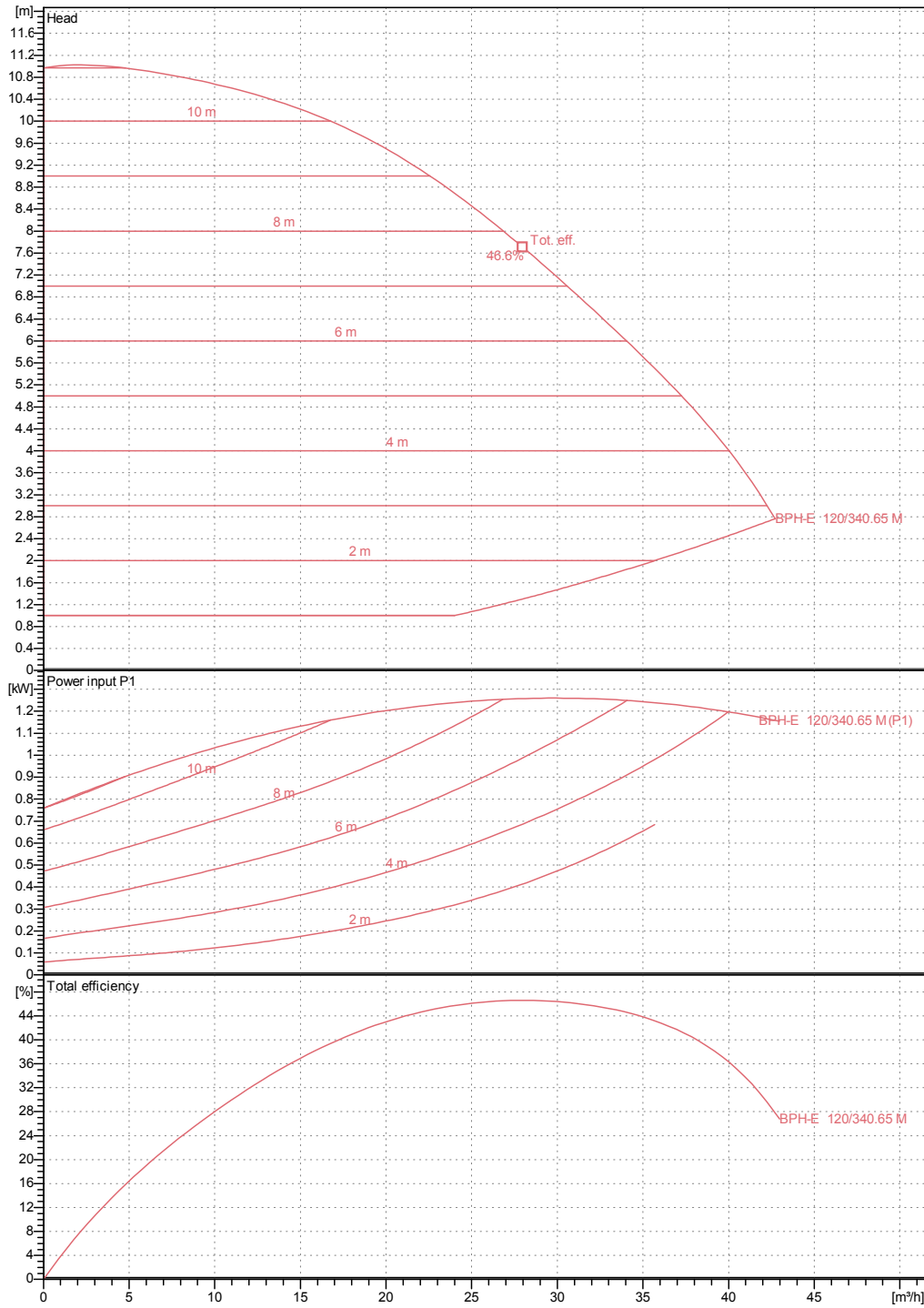
Pump connection

 Suction side DN 65 / PN 10
 Discharge side DN 65 / PN 10

Society Reference Address Phone Fax E-mail	Receiver	From
---	-----------------	-------------

BPHE 120/340.65 M

Curve tolerance according to ISO 9906



Hydraulic data (duty point)

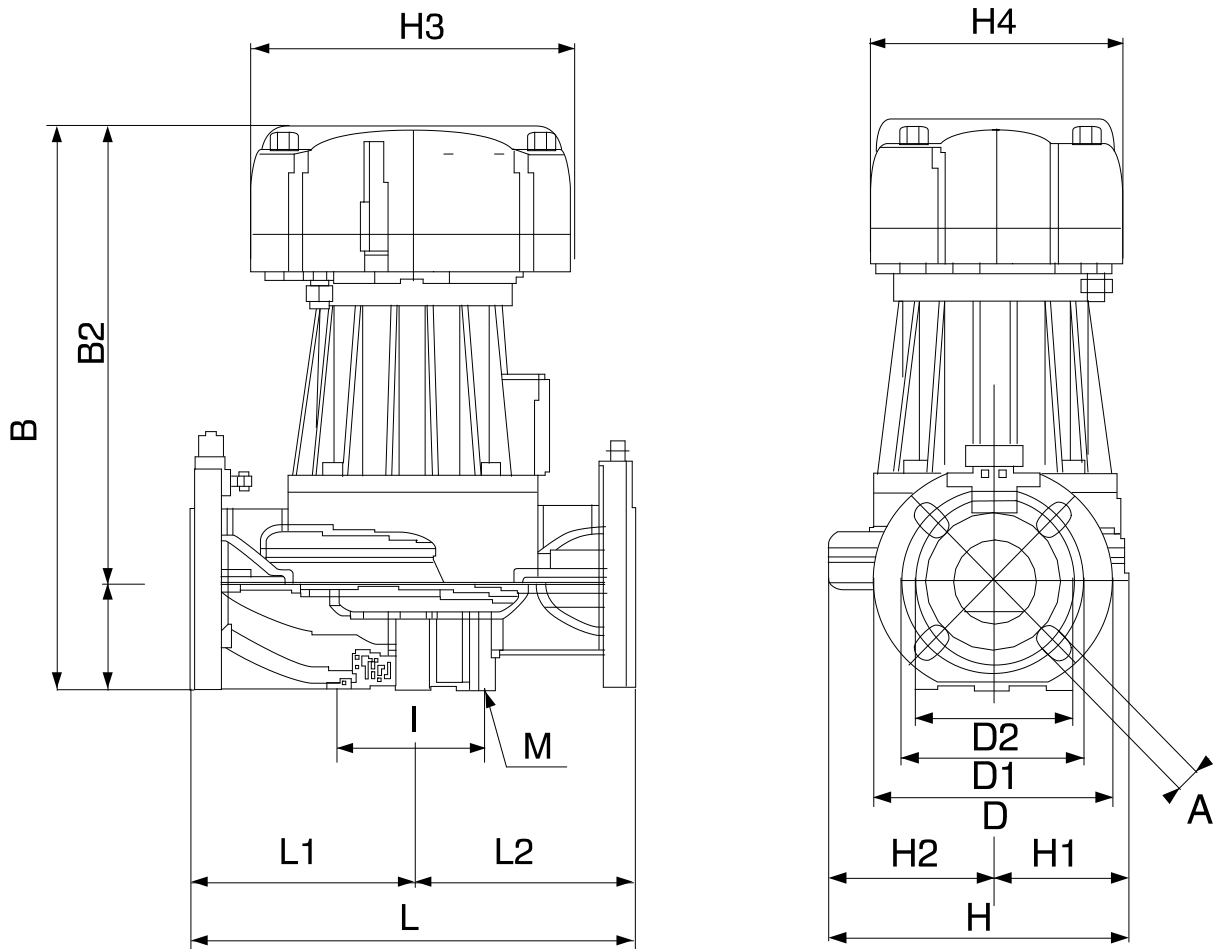
Suction side DN 65 PN 10	Discharge side DN 65 PN 10	Flow : 0 m³/h	Head : 0 m	Rated speed : 2800 rpm
Project	Project ID	Created by	Created on 16/09/2014	

Receiver

From

 Society
 Reference
 Address
 Phone
 Fax
 E-mail

BPH-E 120/340.65 M


Dimensions in mm

1	A	18	H1	100	L2	170
2	B	487	H2	131	M	M12
3	B1	82	H3	250		
4	B2	405	H4	196		
5	D	185	I	100		
6	D1	145	I1	-		
7	D2	130	I2	-		
8	D3	110	I3	-		
9	D4	65	L	340		
10	H	231	L1	170		

Pump connection

 Suction
 DN 65
 PN 10

 Discharge
 DN 65
 PN 10

Project

Project ID

Created by

Created on

16/09/2014