

**Receiver**
**From**

 Society  
 Reference  
 Address  
 Phone  
 Fax  
 E-mail

**Item n° :**

60141700

**Model :**

DIG 11000 AP T-NA

**Pump data**

 Free passage : 10 mm  
 Min. fluid temperature : 32 °F  
 Max. fluid temperature : 95 °F

**Requested data**

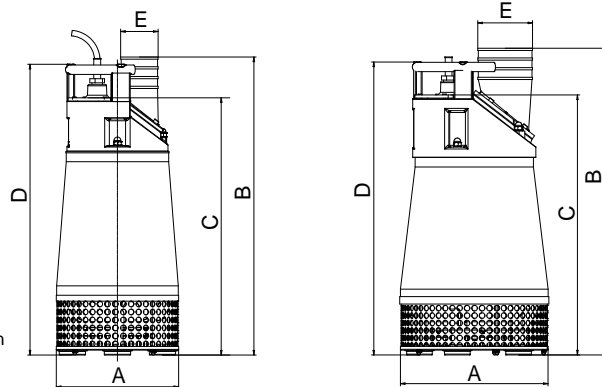
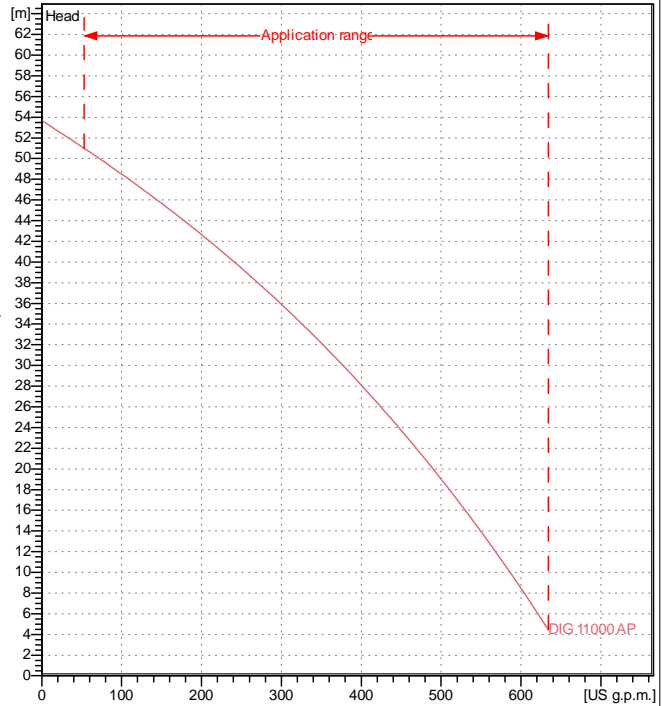
 Flow :  
 Head :  
 Fluid : Water, pure  
 Fluid Temperature : 68 °F  
 Density : 62/322 lb/ft³  
 Kinematic viscosity : 1/0818E-5 ft²/s  
 Vapor pressure : 2/337 kPa

**Hydraulic data (duty point)**

 Flow : 0 US g.p.m.  
 Head : 0 m

**Materials**

 Power supply cable 07RN8-F  
 Cover Cast iron (EN GJL 200)  
 Rotor shaft AISI 420  
 Bearing flange Cast iron (EN GJL 200)  
 OR NBR  
 External sleeve Stainless Steel AISI 304  
 Mechanical seal motor side Silicon carbide/Silicon carbide  
 Mechanical seal pump side Silicon carbide/Silicon carbide  
 Impeller CRA2 650 HB high-chromium cast iron  
 Pump body Anti-abrasive rubber 70SHORE  
 Suction strainer Stainless Steel AISI 304

**Curve tolerance according to ISO 9906**

**Motor data**

 Nominal power P2 : 11 kW  
 Rated speed : 2890 rpm  
 Rated voltage : 3~ 400 V 50 Hz  
 Nominal current : 22/5 A  
 Degree of protection : IP 68

**Dimensions in mm**

A	404	E	4"
B	894		
C	773		
D	862		

 Suction side : /  
 Discharge side : 4" G / --  
 Weight : 165 kg