

**Receiver**
**From**

 Society  
 Reference  
 Address  
 Phone  
 Fax  
 E-mail

**Item n° :**

60147200

**Model :**

E.SYBOX

**Pump data**

 Pressure rating : 8 bar (800 kPa)  
 Min. fluid temperature : 32 °F  
 Max. fluid temperature : 104 °F  
 Max. Ambient temperature : 122 °F

**Requested data**

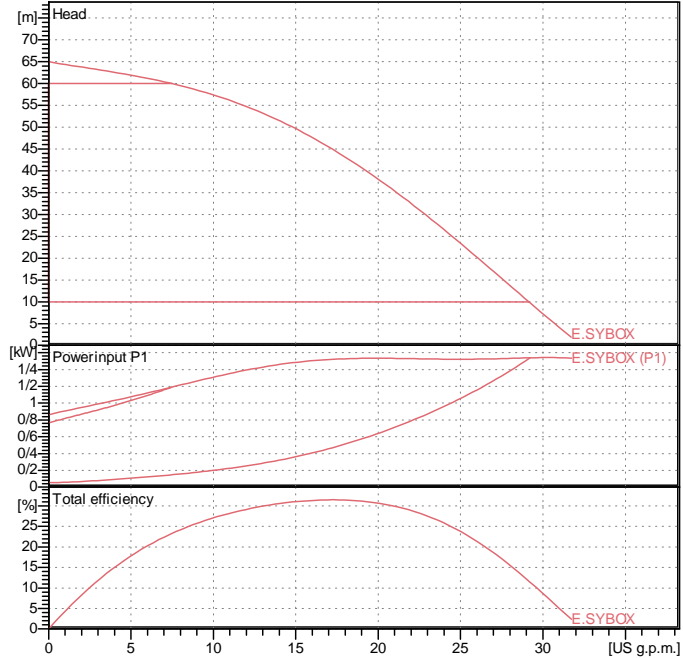
 Flow : 0/00 US g.p.m.  
 Head : 0/00 m  
 Fluid : Water, pure  
 Fluid Temperature : 68 °F  
 Density : 62/322 lb/ft³  
 Kinematic viscosity : 1/0818E-5 ft²/s  
 Vapor pressure : 2/34 kPa

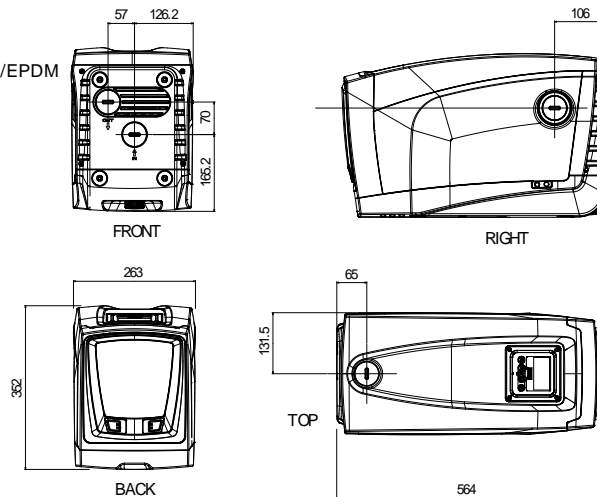
**Materials**

Motor flange	Technopoly mer
Rotor shaft	AISI 303
Motor liner	Stainless Steel AISI 304
OR ring	NBR
Mechanical seal	Impregnated carbon-resin/Silicon carbide/EPDM
<b>Plugs</b>	<b>Technopoly mer</b>
Suction body	Technopoly mer
Insert	Brass nickel coated
Shutter	Technopoly mer
Spring	AISI 303
Diff user	Technopoly mer
Diff user body	Technopoly mer
Impeller	Technopoly mer
Wear ring	Stainless Steel AISI 316
Nut	Stainless Steel AISI 316
Diff user plug	Technopoly mer
Sintered plate	Stainless Steel AISI 304
Pump body	Technopoly mer
Discharge section	Technopoly mer
Flow switch body	Technopoly mer
Discharge manifold	Technopoly mer
Non-return valve	Technopoly mer/Rubber/Steel
Tank	Technopoly mer/Rubber
Pressure sensor body	Technopoly mer

**Motor data**

 Power input P1 : 1/55 kW  
 Rated speed : 3000 rpm  
 Rated voltage : 1~ 220-240 V 50 Hz  
 Nominal current : 10 A  
 Degree of protection : IP X4

**Curve tolerance according to ISO 9906**

**Hydraulic data (duty point)**

 Flow :  
 Head :

**Dimensions in mm**

--	--	--	--	--	--	--	--	--	--

**Weight :** 27 kg

**Pump connection**

 Suction side : 1 " G / 8 bar (800 kPa)  
 Discharge side : 1 " G / 8 bar (800 kPa)