

Receiver
From

 Society
 Reference
 Address
 Phone
 Fax
 E-mail

Item n° :

102690020

Model :

ACTIVE J 102 M

Pump data

 Pressure rating : 8 bar (800 kPa)
 Min. fluid temperature : 32 °F
 Max. fluid temperature : 95 °F
 Max. Ambient temperature : 104 °F

Requested data

 Flow : 0/00 US g.p.m.
 Head : 0/00 m
 Fluid : Water
 Fluid Temperature : 68 °F
 Density : 62/315 lb/ft³
 Kinematic viscosity : 1/0769E-5 ft²/s
 Vapor pressure : 2/20 kPa

Hydraulic data (duty point)

Flow :

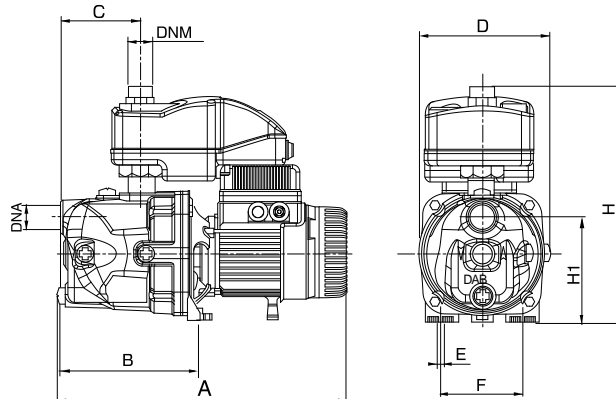
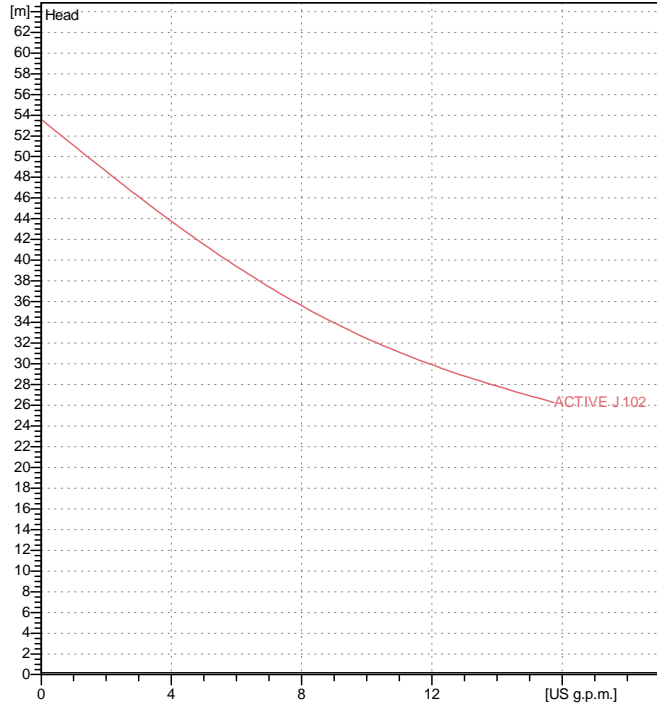
Head :

Materials

 Pump body : Cast iron 200 UNI ISO 185
 Support : Die cast aluminium
 Impeller : Technopolymer A
 Mechanical seal : Carbon/Ceramic
 OR ring : NBR Rubber
 Shaft with rotor : AISI 416 X12 CrS 13 UNI 6900/71
 Nozzle venturi diffuser assembly : Technopolymer A

Motor data

 Motor brand : DAB
 Nominal power P2 : 0/75 kW
 Rated speed : 2800 rpm
 Rated voltage : 1~ 220-240 V 50 Hz
 Nominal current : 5/1 A
 Degree of protection : IP 44

Curve tolerance according to ISO 9906

Dimensions in mm

A	395	DNA	1" G	H	322		
B	192	DNM	1" G	H1	144		
C	108	E	9				
D	178	F	111				

Pump connection

 Suction side : 1" G / 8 bar (800 kPa)
 Discharge side : 1" G / 8 bar (800 kPa)

Weight : 12/5 kg