

Receiver
From

 Society
 Reference
 Address
 Phone
 Fax
 E-mail

Item n° :

60141709

Model :

DRENAG 900 T-NA

Pump data

 Free passage : 5 mm
 Pressure rating :
 Min. fluid temperature : 32 °F
 Max. fluid temperature : 95 °F
 Max. Ambient temperature :

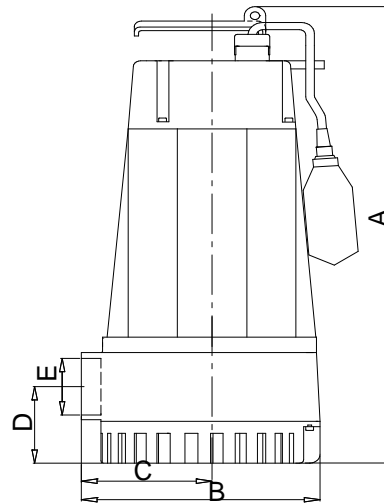
Requested data

 Flow : 0 US g.p.m.
 Head : 0 m
 Fluid : Water, pure
 Fluid Temperature : 68 °F
 Density : 62/322 lb/ft³
 Kinematic viscosity : 1/0818E-5 ft²/s
 Vapor pressure : 2/337 kPa

Hydraulic data (duty point)

 Flow :
 Head :

Materials

 Top cover : Aluminium
 Handle : Technopolymer
 Impeller : Fiberglass reinforced nylon
 Motor body : Anodized die cast aluminium
 Mechanical seal : Carbon/Alumina
 Pump body : Anodized die cast aluminium

Motor data
Weight : 11 kg

 Motor brand : DAB
 Nominal power P2 : 0/75 kW
 Rated speed : 2800 rpm
 Rated voltage : 3~ 400 V
 Nominal current : 2/2 A
 Degree of protection : IP 68

50 Hz

Dimensions in mm

Dimension	Value				
A	416				
B	169				
C	92				
D	62				
E	1" 1/2 G				

Pump connection

 Suction side : /
 Discharge side : 1" 1/2 G / --