

**Receiver**
**From**

 Society  
 Reference  
 Address  
 Phone  
 Fax  
 E-mail

**Item n° :**

103010160

**Model :**

DRENAG 1800 T

**Pump data**

 Free passage : 12 mm  
 Pressure rating :  
 Min. fluid temperature : 32 °F  
 Max. fluid temperature : 131 °F  
 Max. Ambient temperature : 104 °F

**Requested data**

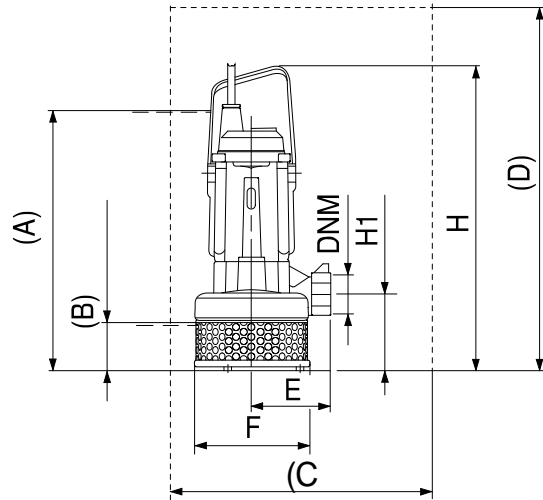
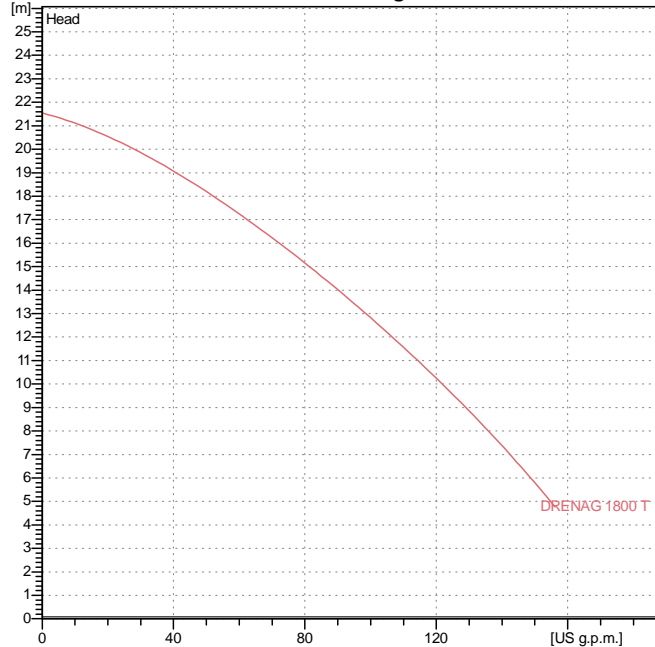
 Flow : 0 US g.p.m.  
 Head : 0 m  
 Fluid : Water, pure  
 Fluid Temperature : 68 °F  
 Density : 62/322 lb/ft³  
 Kinematic viscosity : 1/0818E-5 ft²/s  
 Vapor pressure : 2/337 kPa

**Hydraulic data (duty point)**

 Flow :  
 Head :

**Materials**

 Pump body : Cast iron 200 UNI ISO 185  
 Impeller : Cast iron 200 UNI ISO 185  
 Motor shaft : AISI 416 X12 CrS 13 UNI 6900/71  
 Pump body OR ring : Viton  
 Suction cover : Cast iron 200 UNI ISO 185  
 Mechanical seal : Silicon carbide  
 Suction filter : AISI 304 X5 Cr Ni 1810 UNI 6900/71

**Curve tolerance according to ISO 9906**

**Motor data**
**Weight :** 44/2 kg

 Motor brand : DAB  
 Nominal power P2 : 1/5 kW  
 Rated speed : 2800 rpm  
 Rated voltage : 3~ 400 V  
 Nominal current : 4/4 A  
 Degree of protection : IP 68

50 Hz

**Dimensions in mm**

A	500	H	584		
B	90	H1	144		
C	500 x 500 min				
D	600 min				
DNM	2" G				
E	150				
F ?	219				

**Pump connection**

 Suction side : /  
 Discharge side : 2" G / --