

Receiver
From

 Society
 Reference
 Address
 Phone
 Fax
 E-mail

Item n° :

103010040

Model :

DRENAG 1400 M

Pump data

 Free passage : 12 mm
 Pressure rating :
 Min. fluid temperature : 32 °F
 Max. fluid temperature : 131 °F
 Max. Ambient temperature : 104 °F

Requested data

 Flow : 0 US g.p.m.
 Head : 0 m
 Fluid : Water, pure
 Fluid Temperature : 68 °F
 Density : 62/322 lb/ft³
 Kinematic viscosity : 1/0818E-5 ft²/s
 Vapor pressure : 2/337 kPa

Hydraulic data (duty point)

 Flow :
 Head :

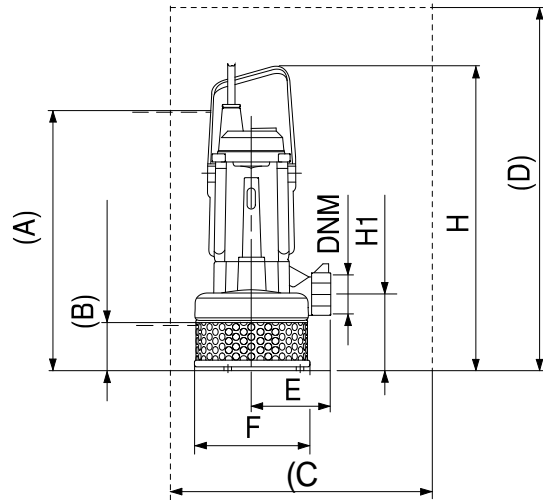
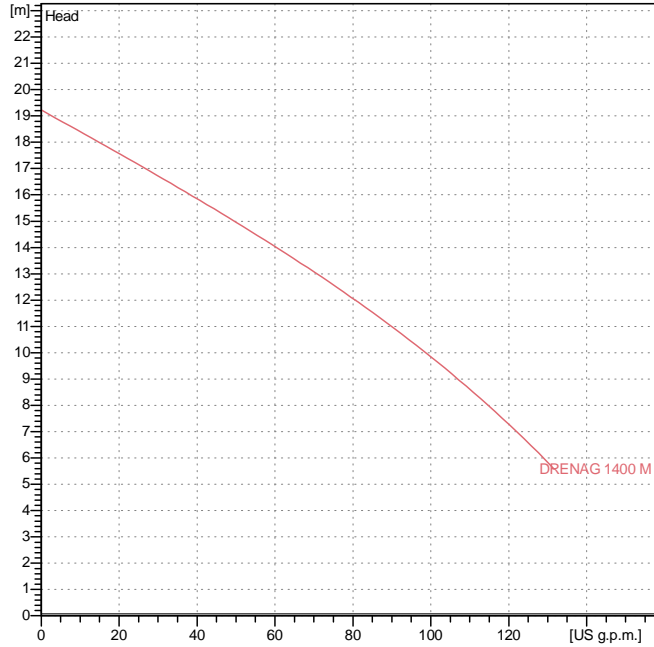
Materials

 Pump body : Cast iron 200 UNI ISO 185
 Impeller : Cast iron 200 UNI ISO 185
 Motor shaft : AISI 416 X12 CrS 13 UNI 6900/71
 Pump body OR ring : Viton
 Suction cover : Cast iron 200 UNI ISO 185
 Mechanical seal : Silicon carbide
 Suction filter : AISI 304 X5 Cr Ni 1810 UNI 6900/71

Motor data

 Motor brand : DAB
 Nominal power P2 : 1/1 kW
 Rated speed : 2800 rpm
 Rated voltage : 1~ 220-240 V
 Nominal current : 9/2 A
 Degree of protection : IP 68

50 Hz

Curve tolerance according to ISO 9906

Weight : 43/3 kg

Dimensions in mm

A	500	H	584		
B	90	H1	144		
C	500 x 500 min				
D	600 min				
DNM	2" G				
E	150				
F ?	219				

Pump connection

 Suction side : /
 Discharge side : 2" G / --