

Receiver
From

 Society
 Reference
 Address
 Phone
 Fax
 E-mail

Item n° :

103041040

Model :

DRENAG 1200 M-A

Pump data

 Free passage : 10 mm
 Pressure rating :
 Min. fluid temperature : 32 °F
 Max. fluid temperature : 95 °F
 Max. Ambient temperature : 104 °F

Requested data

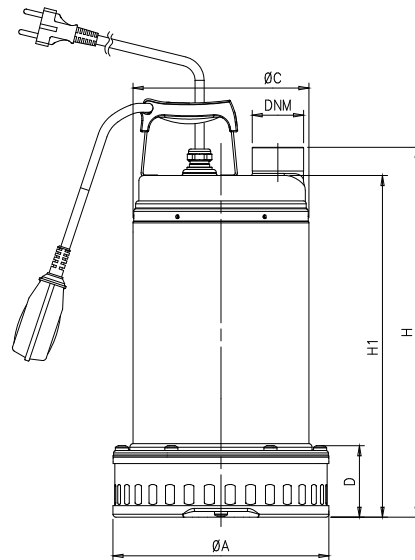
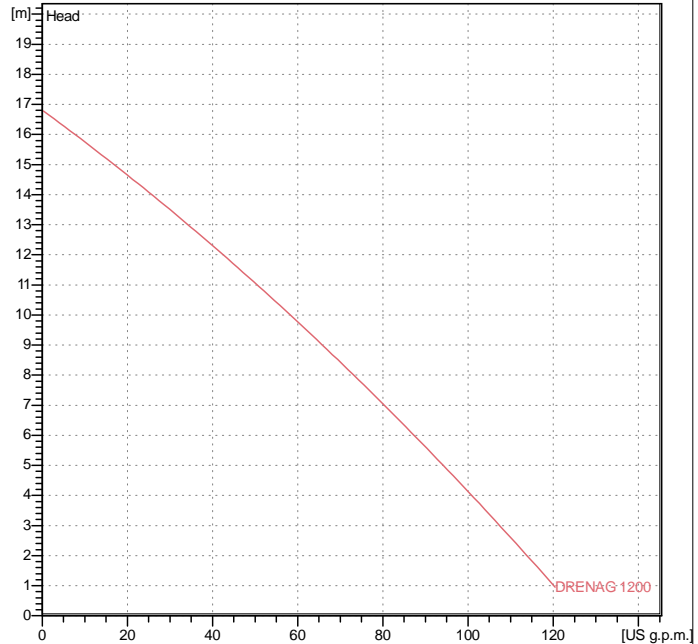
 Flow : 0 US g.p.m.
 Head : 0 m
 Fluid : Water, pure
 Fluid Temperature : 68 °F
 Density : 62/322 lb/ft³
 Kinematic viscosity : 1/0818E-5 ft²/s
 Vapor pressure : 2/337 kPa

Hydraulic data (duty point)

 Flow :
 Head :

Materials

 Pump body : AISI 304 X5 Cr Ni 1810 UNI 6900/71
 Impeller : AISI 304 X5 Cr Ni 1810 UNI 6900/71
 Motor shaft : AISI 316 X5CrNiMo 1712 - UNI 6900/71
 Disc seal : AISI 304 X5 Cr Ni 1810 UNI 6900/71
 Filter : AISI 304 X5 Cr Ni 1810 UNI 6900/71
 Mechanical seal pump side : Silicon carbide/Silicon carbide
 Pump liner : AISI 304 X5 Cr Ni 1810 UNI 6900/71

Curve tolerance according to ISO 9906

Motor data
Weight : 18/5 kg

 Motor brand : DAB
 Nominal power P2 : 1/2 kW
 Rated speed : 2800 rpm
 Rated voltage : 1~ 220-240 V
 Nominal current : 7/5 A
 Degree of protection : IP 68

50 Hz

Dimensions in mm

Dimension	Value				
A	215				
C	175				
D	71				
DNM	1" 1/2 F				
H	413				
H1	385				

Pump connection

 Suction side : /
 Discharge side : 1" 1/2 / --