

**Receiver**
**From**

 Society  
 Reference  
 Address  
 Phone  
 Fax  
 E-mail

**Item n° :**

103040060

**Model :**

FEKA VS 750 T - NA

**Pump data**

 Free passage : 50 mm  
 Pressure rating :  
 Min. fluid temperature : 0  
 Max. fluid temperature : 122 °F  
 Max. Ambient temperature : 104 °F

**Requested data**

 Flow : 0 US g.p.m.  
 Head : 0 m  
 Fluid : Water, pure  
 Fluid Temperature : 68 °F  
 Density : 62/322 lb/ft³  
 Kinematic viscosity : 1/0818E-5 ft²/s  
 Vapor pressure : 2/337 kPa

**Hydraulic data (duty point)**

 Flow :  
 Head :

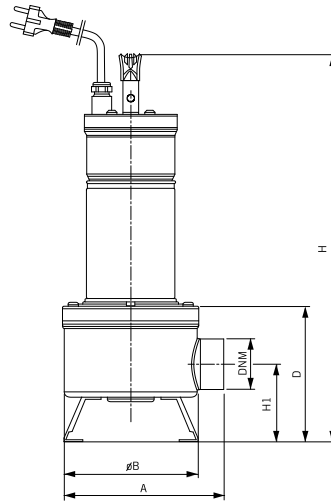
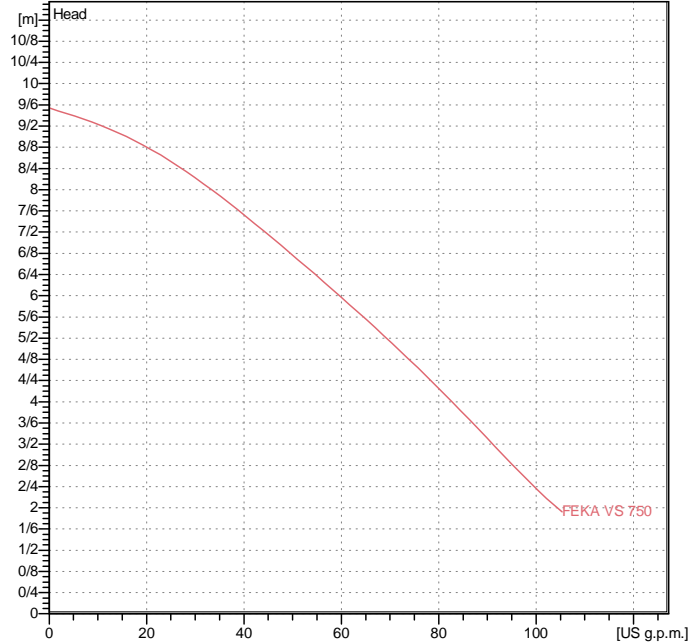
**Materials**

 Pump body : Stainless Steel (AISI 304)  
 Impeller : Stainless Steel (AISI 304)  
 Motor shaft : AISI 316  
 Seal disk : Stainless Steel (AISI 304)  
 Motor casing : Stainless Steel (AISI 304)  
 Protection cover : Stainless Steel (AISI 304)  
 Mechanical seal pump side : Silicon carbide/Silicon carbide

**Motor data**

 Motor brand : DAB  
 Nominal power P2 : 0/75 kW  
 Rated speed : 2800 rpm  
 Rated voltage : 3~ 400 V  
 Nominal current : 1/94 A  
 Degree of protection : IP 68

50 Hz

**Curve tolerance according to ISO 9906**

**Weight :** 17/5 kg

**Dimensions in mm**

Dimension	Value				
A	203				
B	170				
D	172				
DNM	2" F				
H	492				
H1	98				

**Pump connection**

 Suction side : /  
 Discharge side : 2" F / --