

Receiver
From

Society
 Reference
 Address
 Phone
 Fax
 E-mail

Item n° :

103040080

Model :

FEKA VS 1000 M - A

Pump data

Free passage : 50 mm
 Pressure rating :
 Min. fluid temperature : 0
 Max. fluid temperature : 122 °F
 Max. Ambient temperature : 104 °F

Requested data

Flow : 0 US g.p.m.
 Head : 0 m
 Fluid : Water, pure
 Fluid Temperature : 68 °F
 Density : 62/322 lb/ft³
 Kinematic viscosity : 1/0818E-5 ft²/s
 Vapor pressure : 2/337 kPa

Hydraulic data (duty point)

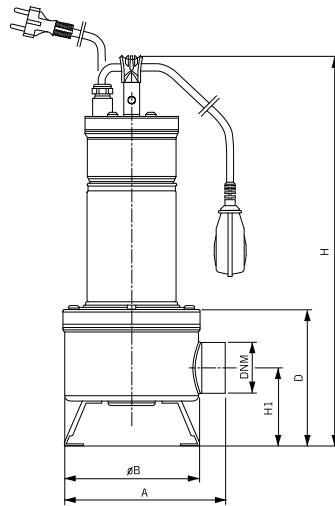
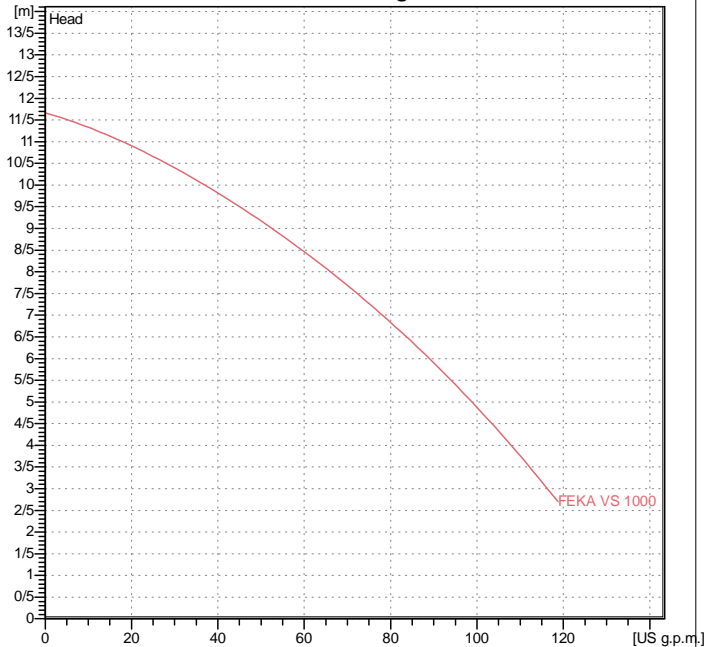
Flow :
 Head :

Materials

Pump body Stainless Steel (AISI 304)
 Impeller Stainless Steel (AISI 304)
 Motor shaft AISI 316
 Seal disk Stainless Steel (AISI 304)
 Motor casing Stainless Steel (AISI 304)
 Protection cover Stainless Steel (AISI 304)
 Mechanical seal pump side Silicon carbide/Silicon carbide

Motor data

Motor brand : DAB
 Nominal power P2 : 1 kW
 Rated speed : 2800 rpm
 Rated voltage : 1~ 220-240 V 50 Hz
 Nominal current : 6/63 A
 Degree of protection : IP 68

Curve tolerance according to ISO 9906

Weight : 19/3 kg

Dimensions in mm

Dimension	Value				
A	203				
B	170				
D	172				
DNM	2" F				
H	537				
H1	98				

Pump connection

Suction side : /
 Discharge side : 2" F / --