

Receiver
From

 Society
 Reference
 Address
 Phone
 Fax
 E-mail

Item n° :
 60176860
Model :
 FKC 100 22.4 T5 400D

Pump data

Type of impeller :	Single channel impeller
Pump outlet :	DN 100
Pump inlet :	DN 100
Flange standard :	EN 1092-1 / PN 16
Free passage :	100 mm
Fluid Temperature :	32 °F / 104 °F*
* For higher temperatures please contact our sales network	
pH	6,5 - 12
Kinematic viscosity :	1/0764E-5 ft ² /s
Max Flow :	523/94 US g.p.m.
Max. Head :	11/89 m
Max. Hy draulic efficiency :	66/4 %

Approvals

Approvals :	12050-1
ATEX :	NO

INSTALLATION

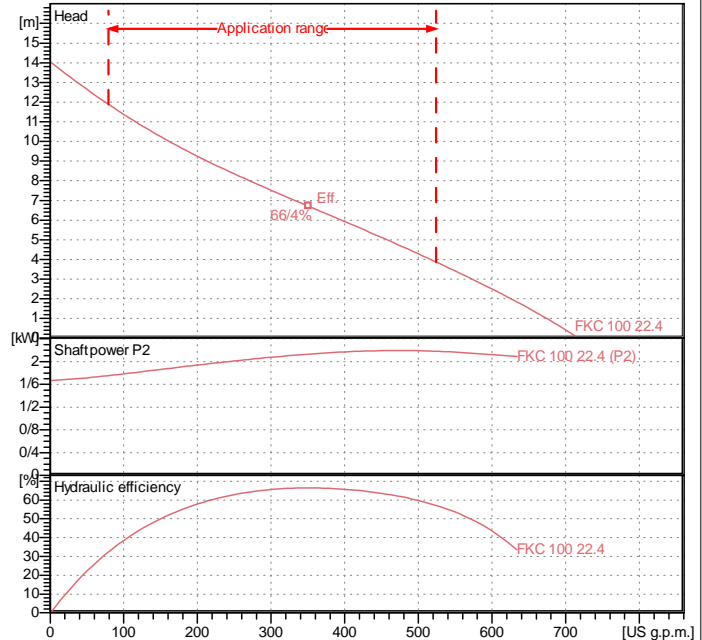
Max. Ambient temperature :	104 °F
Max. installation depth :	20 m
Type of installation :	
<u>Wet - Pump only</u>	

Materials

Handle	Stainless Steel (AISI 304)
Electric cable	07RN8-F
Screws	Stainless Steel (AISI 304)
OR	NBR
Mechanical seal pump side	SiC/SiC
Mechanical seal motor side	SiC/Carbon
Motor shaft	AISI 420
Pump body / motor	Cast iron (EN GJL 200)
Impeller	Cast iron (EN GJL 250)
Wear ring	Cast iron (EN GJL 150)
Coating	Acrylic Two-component 50µm

Motor data

Number of poles :	4
Max. Input power P1 :	2/52 kW
Nominal power P2 :	2/2 kW
Rated v voltage :	3~ 400 V (+6% / -10%) 50 Hz
Nominal current :	4/7 A
Starting current (DOL / YD) :	11/4 A / —
Starting :	Directly
Rated speed :	1450 rpm
Efficiency :	87/3 %
Number of starts :	20 /h
Degree of protection :	IP 68
Insulation class :	F 302 °F
Standard cable type :	10mt 4G1.5+3x1
Water-in-oil sensor :	NO
Motor protection :	Thermal switch

Curve tolerance according to ISO 9906

Fluid data

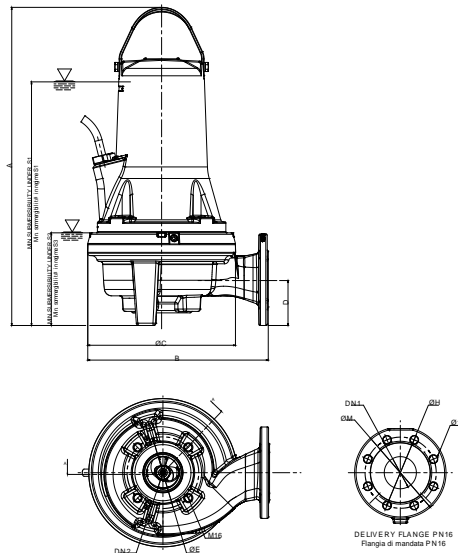
Fluid :	Water, pure	Fluid Temperature :	68 °F
Density :	62/322 lb/ft ³	Kinematic viscosity :	1/0818E-5 ft ² /s

Requested data

Flow :	0 US g.p.m.
Head :	0 m

Real duty point

Flow :	
Head :	



Pump weight :	107 kg	Accessory weight :	0 kg
----------------------	--------	---------------------------	------

Dimensions in mm

∅18	8x∅18	DN1	100		
∅C	355	DN2	100		
∅E	180	S1	526		
∅H	-10	S3	220		
∅M	224				
A	677				
B	435				
D	112				