

Receiver
From

 Society
 Reference
 Address
 Phone
 Fax
 E-mail

Item n° :

60141721

Model :

FEKA GL 1200 T-NA

Pump data

Free passage : 46 mm

Pressure rating :

Min. fluid temperature : 32 °F

Max. fluid temperature : 95 °F

Max. Ambient temperature :

Requested data

Flow : 0 US g.p.m.

Head : 0 m

Fluid : Water, pure

Fluid Temperature : 68 °F

Density : 62/322 lb/ft³

Kinematic viscosity : 1/0818E-5 ft²/s

Vapor pressure : 2/337 kPa

Hydraulic data (duty point)

Flow :

Head :

Materials

Top cover : Fiberglass reinforced nylon

Impeller : Fiberglass reinforced nylon

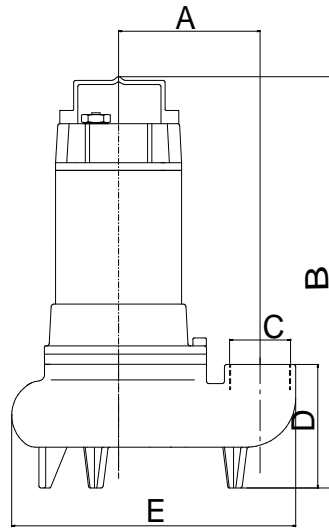
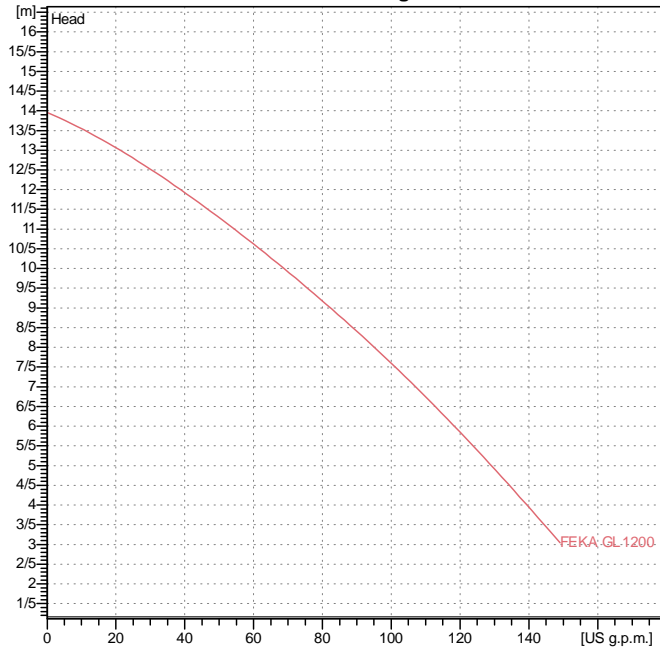
Pump body : Cast iron (EN GJL 200)

Mechanical seal : SiC/SiC

Motor shaft : Stainless Steel AISI 420

Motor body : Cast iron (EN GJL 200)

OR ring : NBR

Curve tolerance according to ISO 9906

Motor data
Weight : 20 kg

Motor brand : DAB

Nominal power P2 : 1/2 kW

Rated speed : 2800 rpm

Rated voltage : 3~ 400 V

50 Hz

Nominal current : 3/9 A

Degree of protection : IP 68

Dimensions in mm

Dimension	Value	Unit
A	137	mm
B	412	mm
C	2" F	mm
D	120	mm
E	275	mm

Pump connection

Suction side : /

Discharge side : 2" F / --