

Receiver
From

 Society
 Reference
 Address
 Phone
 Fax
 E-mail

Item n° :
 60170389
Model :
 FKV 65 30.2 T5 400D

Pump data

 Type of impeller : §Vortex
 Pump outlet : DN 65
 Pump inlet : DN 65
 Flange standard : EN 1092-1 / PN 16
 Free passage : 65 mm
 Fluid Temperature : 32 °F / 104 °F*

* For higher temperatures please contact our sales network

 pH : 6,5 - 12
 Kinematic viscosity : 1/0764E-5 ft²/s
 Max Flow : 237/75 US g.p.m.
 Max. Head : 20/2 m
 Max. Hydraulic efficiency : 31 %

Approvals

 Approvals : 12050-1
 ATEX : NO

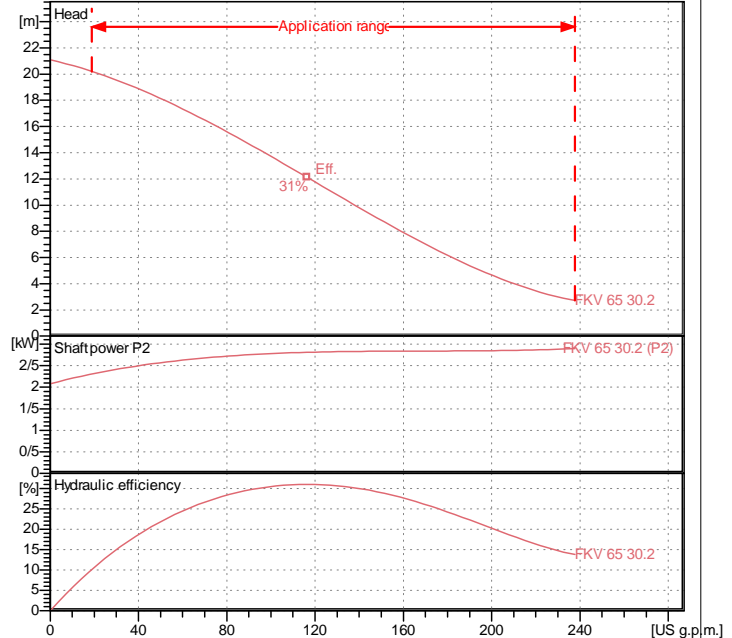
INSTALLATION

 Max. Ambient temperature : 104 °F
 Max. installation depth : 20 m
 Type of installation :
Wet - Pump only
Materials

 Handle : Stainless Steel (AISI 304)
 Electric cable : 07RN8-F
 Screws : Stainless Steel (AISI 304)
 OR : NBR
 Mechanical seal pump side : SiC/SiC
 Mechanical seal motor side : SiC/Carbon
 Motor shaft : AISI 420
 Pump body / motor : Cast iron (EN GJL 200)
 Impeller : Cast iron (EN GJL 250)
 Coating : Acrylic Two-component 50µm

Motor data

 Number of poles : 2
 Max. Input power P1 : 3/42 kW
Nominal power P2 : 3 kW
 Rated voltage : 3~ 400 V (+6% / -10%) 50 Hz
 Nominal current : 5/7 A
 Starting current (DOL / YD) : 19/1 A / —
 Starting : Directly
 Rated speed : 2900 rpm
 Efficiency : 87/7 %
 Number of starts : 20 /h
 Degree of protection : IP 68
 Insulation class : F 302 °F
 Standard cable type : 10mt 4G1.5+3x1
 Water-in-oil sensor : NO
 Motor protection : Thermal switch

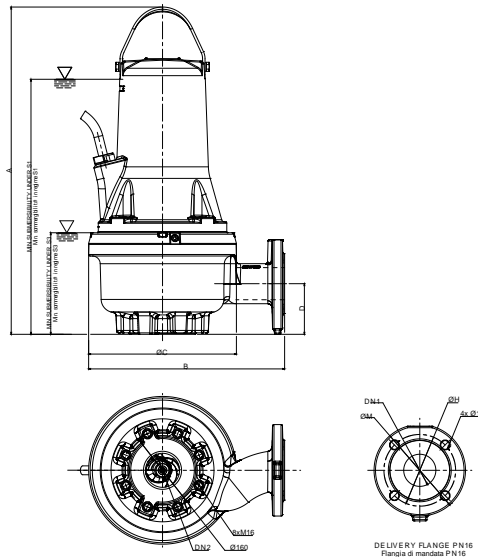
Curve tolerance according to ISO 9906

Fluid data

 Fluid : Water, pure Fluid Temperature : 68 °F
 Density : 62/322 lb/ft³ Kinematic viscosity : 1/0818E-5 ft²/s

Requested data

 Flow : 0 US g.p.m.
 Head : 0 m

Real duty point

 Flow :
 Head :

Pump weight : 94 kg **Accessory weight :** 0 kg

Dimensions in mm

∅C	300	S1	515		
∅H	145	S3	206		
∅M	185				
A	662				
B	396				
D	102				
DN1	65				
DN2	65				