

Receiver
From

 Society
 Reference
 Address
 Phone
 Fax
 E-mail

Item n° :

103010440

Model :

GRINDER 1400 M

Pump data

Pressure rating :

Min. fluid temperature : 32 °F

Max. fluid temperature : 131 °F

Max. Ambient temperature : 104 °F

Requested data

Flow : 0 US g.p.m.

Head : 0 m

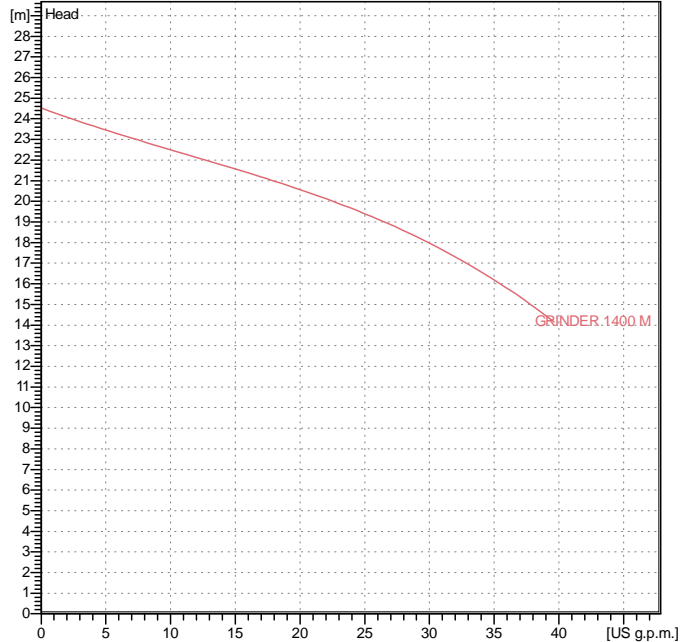
Fluid : Water, pure

Fluid Temperature : 68 °F

 Density : 62/322 lb/ft³

 Kinematic viscosity : 1/0818E-5 ft²/s

Vapor pressure : 2/337 kPa

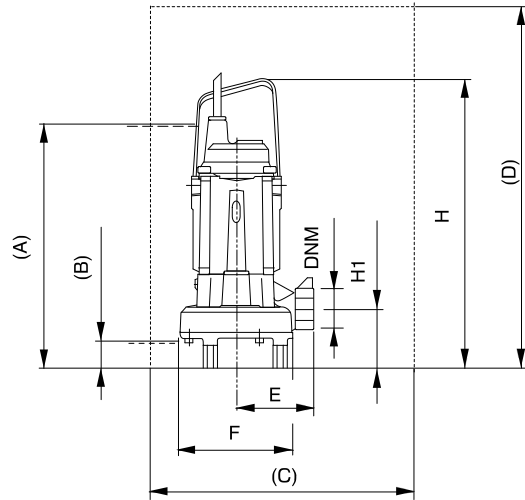
Curve tolerance according to ISO 9906

Hydraulic data (duty point)

Flow :

Head :

Materials

Pump body	Cast iron 200 UNI ISO 185
Impeller	Cast iron 200 UNI ISO 185
Motor shaft	AISI 416 X12 CrS 13 UNI 6900/71
Pump body OR ring	Viton
Suction cover	Cast iron 200 UNI ISO 185
Mechanical seal	Silicon carbide
Fixed grinder section	AISI 440


Motor data

Motor brand :	DAB	
Nominal power P2 :	1/1 kW	
Rated voltage :	1~ 220-240 V	50 Hz
Nominal current :	9/2 A	
Number of poles :	2	
Rated speed :	2800 rpm	
Degree of protection :	IP 68	

Weight : 43/2 kg

Dimensions in mm

A	500	H	549		
B	50	H1	109		
C	500 x 500 min				
D	600 min				
DNM	2" G				
E	150				
F ?	219				

Pump connection

 Suction side : /
 Discharge side : 2" G / --