

**Receiver**
**From**

 Society  
 Reference  
 Address  
 Phone  
 Fax  
 E-mail

**Item n° :**

60141601

**Model :**

GRINDER 1200 M-A

**Pump data**

 Free passage : 5 mm  
 Pressure rating :  
 Min. fluid temperature : 32 °F  
 Max. fluid temperature : 104 °F  
 Max. Ambient temperature :

**Requested data**

 Flow : 0 US g.p.m.  
 Head : 0 m  
 Fluid : Water, pure  
 Fluid Temperature : 68 °F  
 Density : 62/322 lb/ft³  
 Kinematic viscosity : 1/0818E-5 ft²/s  
 Vapor pressure : 2/337 kPa

**Hydraulic data (duty point)**

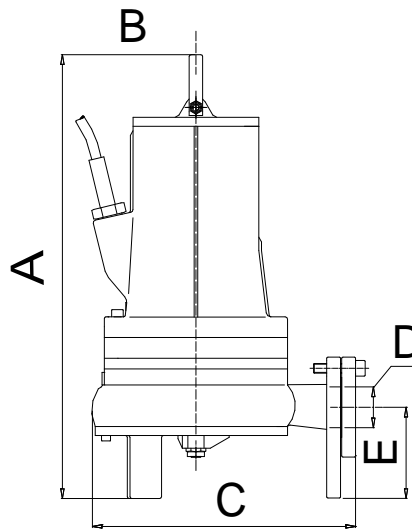
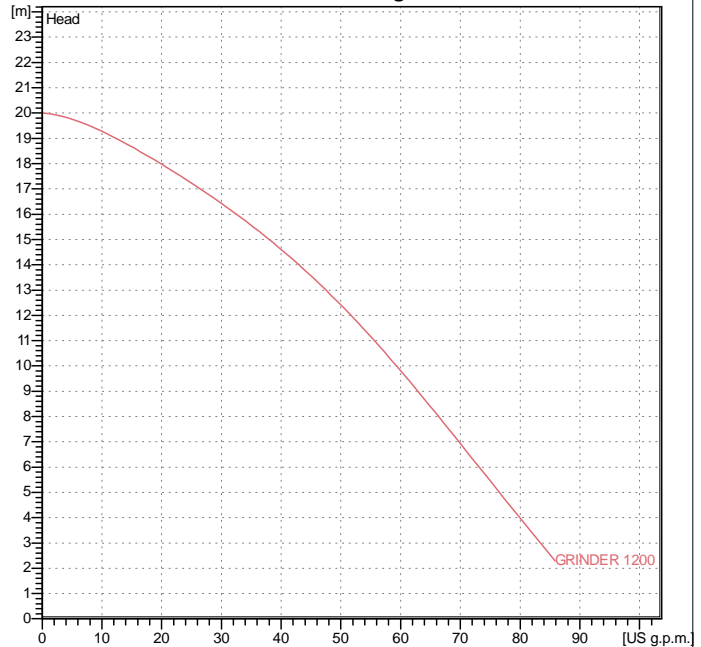
 Flow :  
 Head :

**Materials**

 Cover : Cast iron (EN GJL 200)  
 Impeller : Cast iron (EN GJL 200)  
 Pump body : Cast iron (EN GJL 200)  
 Mechanical seal motor side : Carbon/Alumina  
 Mechanical seal pump side : Carbon/Alumina  
 Motor body : Cast iron (EN GJL 200)  
 Grinder : Stainless Steel AISI 440C

**Motor data**

 Motor brand : DAB  
 Nominal power P2 : 1/5 kW  
 Rated speed : 2900 rpm  
 Rated voltage : 1~ 220-240 V 50 Hz  
 Nominal current : 12/7 A  
 Degree of protection : IP 68

**Curve tolerance according to ISO 9906**

**Weight :** 39 kg

**Dimensions in mm**

Dimension	Value				
A	445				
B	145				
C	270				
D	2" G				
E	110				

**Pump connection**

 Suction side : /  
 Discharge side : 2" G / 10 bar (1000 KPa)