

Receiver

Society
 Reference
 Address
 Phone
 Fax
 E-mail

From

Item n° :

1D6411GKV

Model :

CP-G 100-8300/A/BAQE/55 IE3

Pump data

 MEI \geq 0,40

Pressure rating : PN 16
 Min. fluid temperature : 14 °F
 Max. fluid temperature : 284 °F
 Max. Ambient temperature : 104 °F

Requested data

Flow : 0/00 US g.p.m.
 Head : 0/00 m
 Fluid (%) : Water, pure
 Fluid Temperature : 68 °F
 Density : 62/322 lb/ft³
 Kinematic viscosity : 1/0818E-5 ft²/s
 Vapor pressure : 2/34 kPa

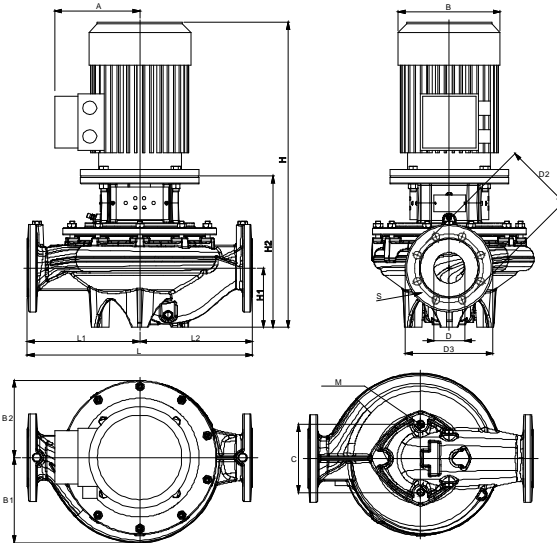
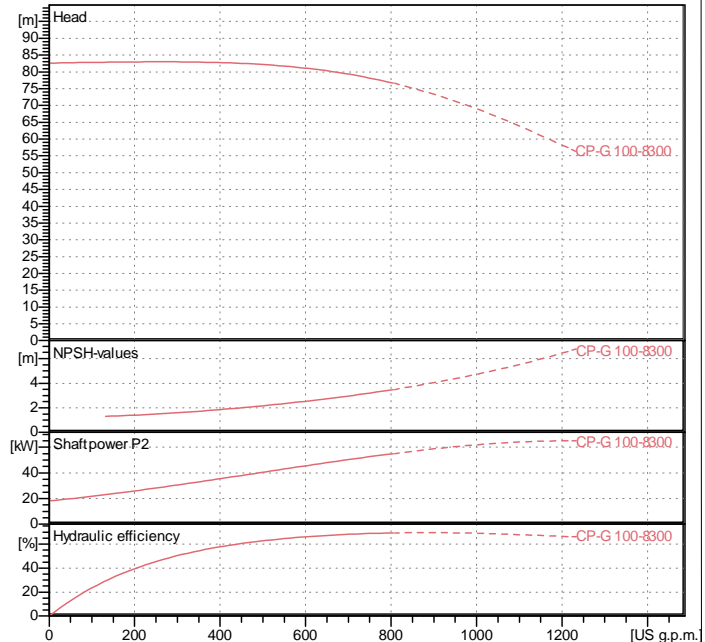
Real duty point

Flow :
 Head :
 NPSH :
 Shaft power P2 :
 Efficiency :

Materials

Pump body Cast iron 250 UNI ISO 185
 Support Cast iron 250 UNI ISO 185
 Impeller Cast iron 250 UNI ISO 185
 Mechanical seal SEE "SHAFT SEAL" SECTION
 OR ring EPDM Rubber
 Shaft with rotor AISI 304 X5 Cr Ni 1810 UNI 6900/71

Curve tolerance according to ISO 9906


Shaft seal

Type Rubber
 Stationary part Carbon
 Rotating part Silicon carbide
 Elastomer EPDM

Weight : 627 kg

Motor data

Nominal power P2 : 55 kW
 Rated speed : 2960 rpm
 Rated voltage : 3~ 400 V 50 Hz
 Nominal current : 95 A
 Degree of protection : IP 55

Dimensions in mm

Dimension	Value	Dimension	Value	Dimension	Value
A	372	H	1288	S	8 x ?18
B1	293	H1	175		
B2	275	H2	513		
C	230	L	670		
D	100	L1	335		
D2	180	L2	335		
D3	220	M	M16		

Pump connection

Suction side : DN 100 / PN 16
 Discharge side : DN 100 / PN 16