

Receiver
From

 Society
 Reference
 Address
 Phone
 Fax
 E-mail

Item n° :

505900622

Model :

BMH 30/250.40 T

Pump data

Pressure rating : PN 10

Min. fluid temperature : 14 °F

Max. fluid temperature : 248 °F

Minimum suction head :

Temperature °F 167 194 230 248

Minimum suction head : m 0/9 4 -- 18

Requested data

Flow : 0/00 US g.p.m.

Head : 0/00 m

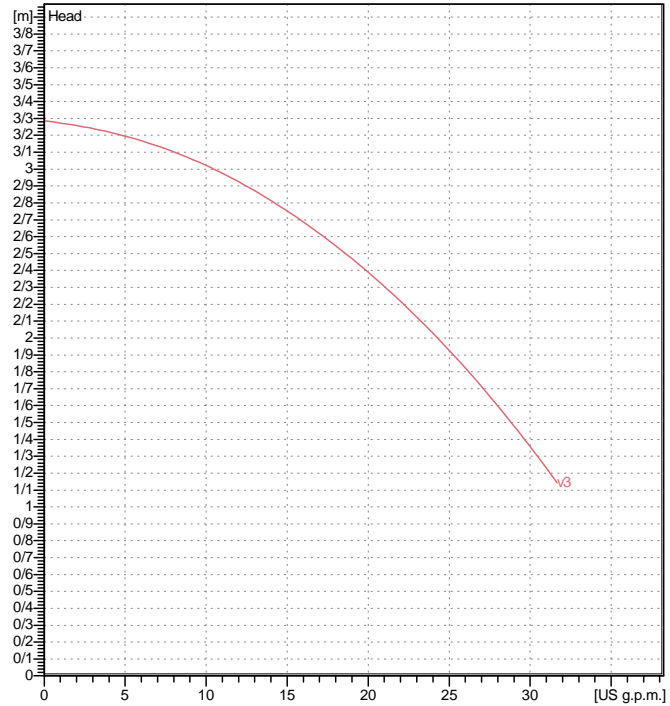
Fluid (%) : Water, pure

Fluid Temperature : 68 °F

Density : 62/322 lb/ft³

Kinematic viscosity : 1/0818E-5 ft²/s

Vapor pressure : 2/34 kPa

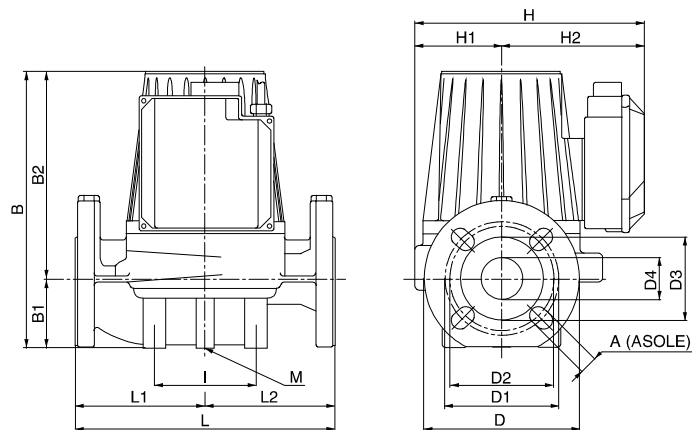
Curve tolerance according to ISO 9906

Hydraulic data (duty point)

Flow :

Head :

Materials

Pump body	Cast iron 200 UNI ISO 185
Impeller	Technopolymer B
Motor shaft	AISI 420 C
Air vent plug	Brass P Cu Zn40 Pb2 UNI 5705
Seal ring	Ethylene propylene (EPDM)
Motor casing	Die cast aluminium
Stator jacket	AISI 321Bon. - AISI 304


Motor data

Motor brand : DAB

Power input P1 : 0/192 kW

Rated speed : 1440 rpm

Rated voltage : 3~ 400 V 50 Hz

Nominal current : 0/78 A

Degree of protection : IP 44

Dimensions in mm

A	18	D	150	D4	40	I	100
B	266	D1	110	H	221	I1	-
B1	66	D2	100	H1	83	I2	-
B2	200	D3	80	H2	138	I3	-

Weight : 17/5 kg

Pump connection

Suction side : DN 40 / PN 10

Discharge side : DN 40 / PN 10