

Receiver
From

 Society
 Reference
 Address
 Phone
 Fax
 E-mail

Item n° :

101110014

Model :

KPS 30/16 T

Pump data

 Impeller size : 0 mm
 Pressure rating : 6 bar (600 kPa)
 Min. fluid temperature : 14 °F
 Max. fluid temperature : 122 °F
 Max. Ambient temperature : 104 °F

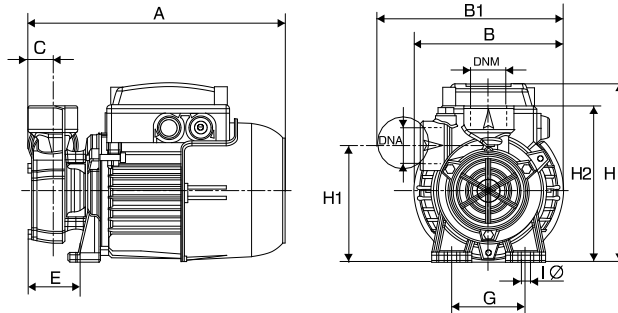
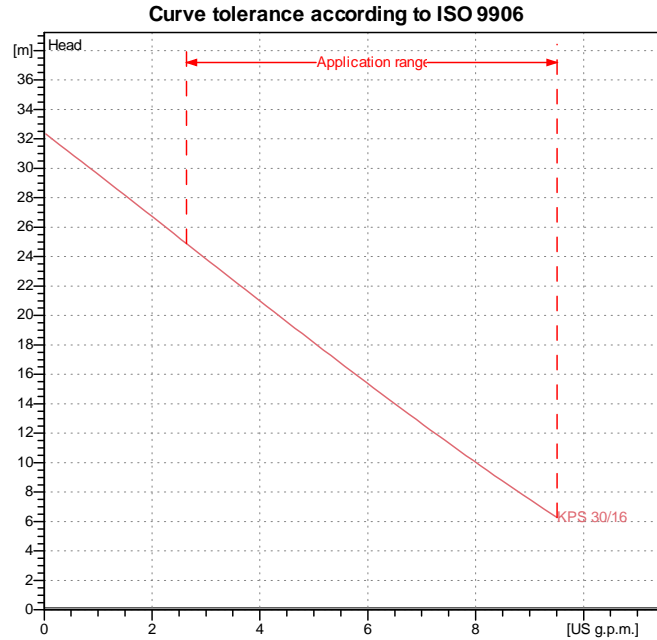
Requested data

 Flow : 0/00 US g.p.m.
 Head : 0/00 m
 Fluid : Water, pure
 Fluid Temperature : 68 °F
 Density : 62/322 lb/ft³
 Kinematic viscosity : 1/0818E-5 ft²/s
 Vapor pressure : 2/34 kPa

Hydraulic data (duty point)

 Flow :
 Head :

Materials

 Pump body : Cast iron 250 UNI ISO 185
 Impeller : Brass P Cu Zn40 Pb2 UNI 5705/65
 Motor shaft : AISI 416 X12 CrS 13 UNI 6900/71
 OR ring : NBR
 Mechanical seal : Carbon/Ceramic
 Cover : Brass P Cu Zn40 Pb2 UNI 5705/65

Weight : 5/3 kg

Motor data

 Motor brand : DAB
 Nominal power P2 : 0/37 kW
 Rated speed : 2800 rpm
 Rated voltage : 3~ 230 V / 400 V 50 Hz
 Nominal current : 1/4 / 0/8 A
 Degree of protection : IP 44

Dimensions in mm

A	228
B	132
B1	165
C	22
DNA	1" G
DNM	1" G
E	46
G	65
H	158
H1	103
H2	138
I ?	8

Pump connection

 Suction side : 1 " G / 6 bar (600 kPa)
 Discharge side : 1 " G / 6 bar (600 kPa)