

Receiver
From

 Society
 Reference
 Address
 Phone
 Fax
 E-mail

Item n° :

60179405

Model :

KPF 45/20 T IE3

Pump data

 Impeller size : 0 mm
 Pressure rating : 10 bar (1000 KPa)
 Min. fluid temperature : 14 °F
 Max. fluid temperature : 122 °F
 Max. Ambient temperature : 104 °F

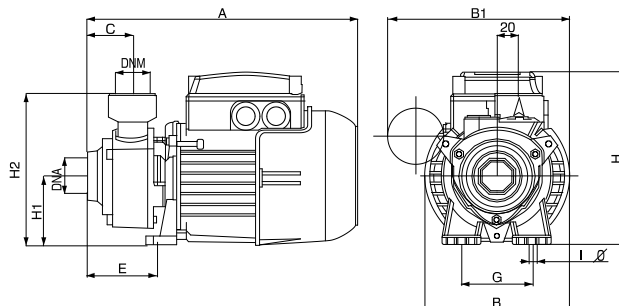
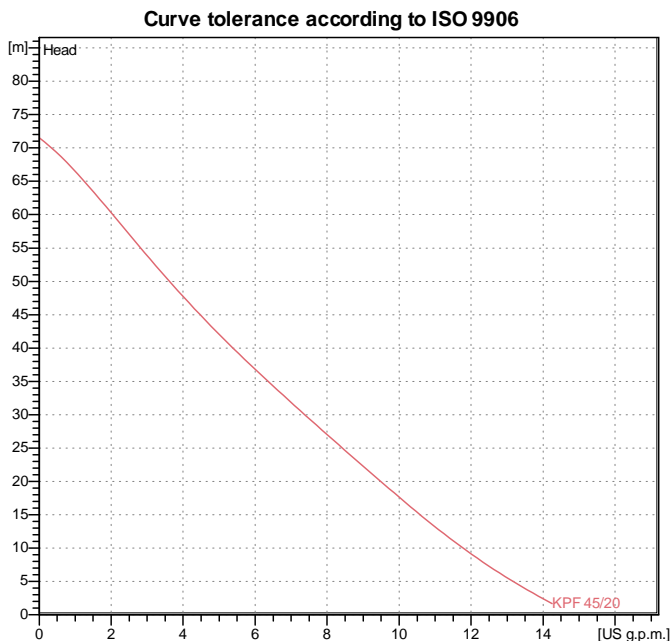
Requested data

 Flow : 0/00 US g.p.m.
 Head : 0/00 m
 Fluid : Water, pure
 Fluid Temperature : 68 °F
 Density : 62/322 lb/ft³
 Kinematic viscosity : 1/0818E-5 ft²/s
 Vapor pressure : 2/34 kPa

Hydraulic data (duty point)

 Flow :
 Head :

Materials

 Pump body : Cast iron 200 UNI ISO 185
 Impeller : Brass P Cu Zn40 Pb2 UNI 5705/65
 Shaft with rotor : AISI 416 X12 CrS 13 UNI 6900/71
 Support : Cast iron 200 UNI ISO 185
 Mechanical seal : Carbon/Ceramic
 OR ring : NBR

Weight : 12 kg

Motor data

 Motor brand : DAB
 Nominal power P2 : 1 kW
 Rated speed : 2800 rpm
 Rated voltage : 3~ 230-400 V 50 Hz
 Nominal current : 4 / 2/3 A
 Degree of protection : IP 44

Dimensions in mm

A	330
B	155
C	55
DNA	1" G
DNM	1" G
E	95
G	112
H	188
H1	78
H2	163
I ?	7

Pump connection

 Suction side : 1 " G / 10 bar (1000 KPa)
 Discharge side : 1 " G / 10 bar (1000 KPa)