

**Receiver**
**From**

 Society  
 Reference  
 Address  
 Phone  
 Fax  
 E-mail

**Item n° :**

101110400

**Model :**

KPF 30/16 M

**Pump data**

 Impeller size : 0 mm  
 Pressure rating : 6 bar (600 kPa)  
 Min. fluid temperature : 14 °F  
 Max. fluid temperature : 122 °F  
 Max. Ambient temperature : 104 °F

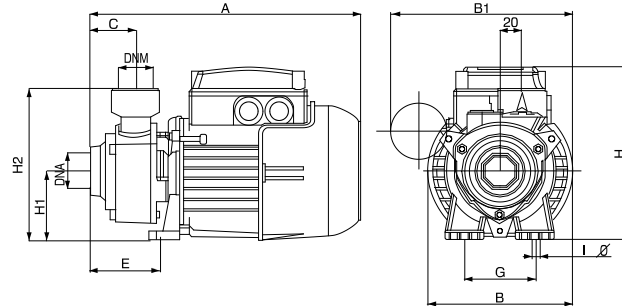
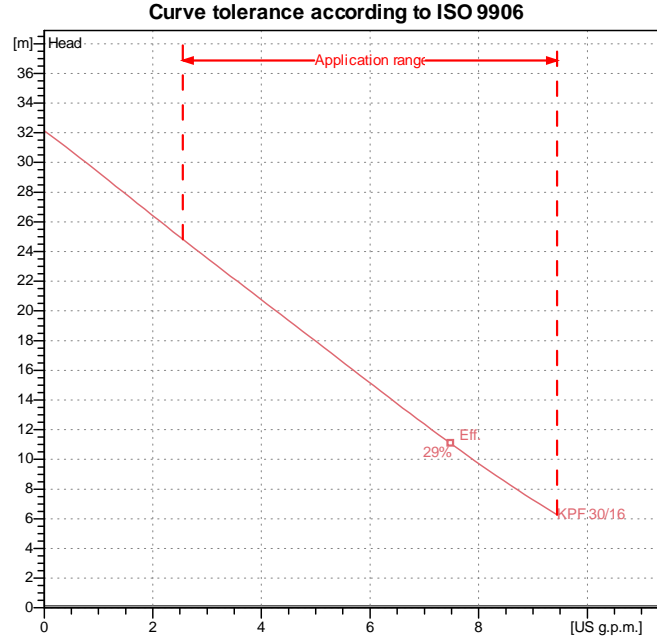
**Requested data**

 Flow : 0/00 US g.p.m.  
 Head : 0/00 m  
 Fluid : Water, pure  
 Fluid Temperature : 68 °F  
 Density : 62/322 lb/ft³  
 Kinematic viscosity : 1/0818E-5 ft²/s  
 Vapor pressure : 2/34 kPa

**Hydraulic data (duty point)**

 Flow :  
 Head :

**Materials**

 Pump body : Cast iron 200 UNI ISO 185  
 Impeller : Brass P Cu Zn40 Pb2 UNI 5705/65  
 Shaft with rotor : AISI 416 X12 CrS 13 UNI 6900/71  
 Support : Cast iron 200 UNI ISO 185  
 Mechanical seal : Carbon/Ceramic  
 OR ring : NBR

**Weight :** 5/4 kg

**Motor data**

 Motor brand : DAB  
 Nominal power P2 : 0/37 kW  
 Rated speed : 2800 rpm  
 Rated voltage : 1~ 220-240 V 50 Hz  
 Nominal current : 2/37 A  
 Degree of protection : IP 44

**Dimensions in mm**

A	247
B	132
B1	165
C	42
DNA	1" G
DNM	1" G
E	64
G	65
H	158
H1	63
H2	138
I ?	8

**Pump connection**

 Suction side : 1 " G / 6 bar (600 kPa)  
 Discharge side : 1 " G / 6 bar (600 kPa)