

Receiver
From

 Society
 Reference
 Address
 Phone
 Fax
 E-mail

Item n° :

60141884

Model :

AQUAJET-INOX 82 M-G

Pump data

 Pressure rating : 8 bar (800 kPa)
 Min. fluid temperature : 32 °F
 Max. fluid temperature : 95 °F
 Max. Ambient temperature : 104 °F

Priming capacity :

H	m	2	3	4	5	6	7	8	9
Q	US g.p.m.	18/5	12/2	10/8	10	8/45	7/66	5/81	4/49

Requested data

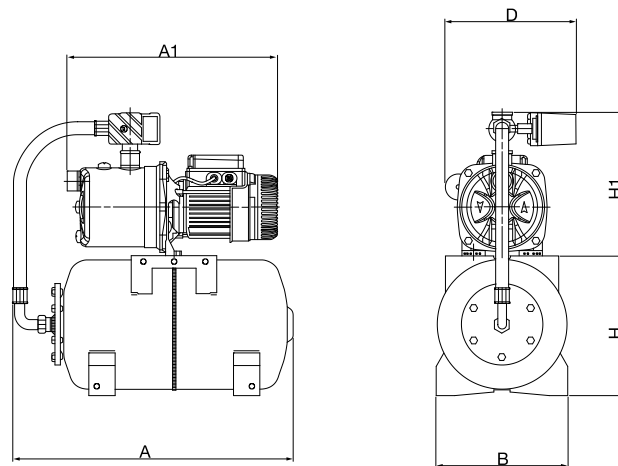
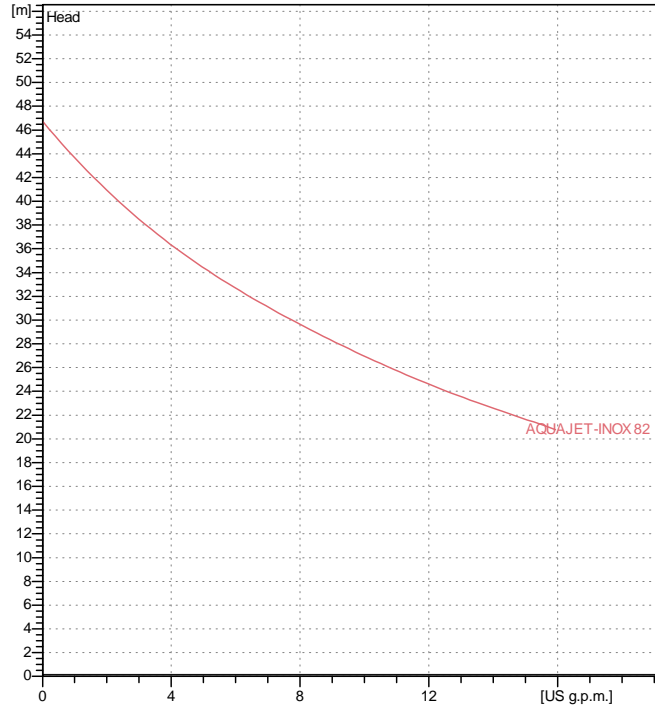
 Flow : 0/00 US g.p.m.
 Head : 0/00 m
 Fluid : Water, pure
 Fluid Temperature : 68 °F
 Density : 62/322 lb/ft³
 Kinematic viscosity : 1/0818E-5 ft²/s
 Vapor pressure : 2/34 kPa

Hydraulic data (duty point)

 Flow :
 Head :

Materials

 Pump body AISI 304 X5 Cr Ni 1810 UNI 6900/71
 Impeller Technopoly mer A
 Shaft with rotor AISI 303 X10 CrNiS 1809 UNI 6900/71
 OR ring NBR Rubber
 Nozzle venturi dif fuser assenti Technopoly mer A
 Mechanical seal Carbon/Ceramic
 Disc seal AISI 304 X5 Cr Ni 1810 UNI 6900/71

Curve tolerance according to ISO 9906

Motor data

 Motor brand : DAB
 Nominal power P2 : 0/6 kW
 Rated speed : 2750 rpm
 Rated voltage : 1~ 220-240 V
 Nominal current : 3/8 A
 Degree of protection : IP 44

50 Hz

Dimensions in
mm

A	494	DNA	1" GAS	L	283		
A1	406	DNM	1" GAS				
B	263	H	296				
D	237	H1	277				

Weight : 16 kg

Pump connection

 Suction side : 1" G / 8 bar (800 kPa)
 Discharge side : 1" G / 8 bar (800 kPa)