

Receiver
From

 Society
 Reference
 Address
 Phone
 Fax
 E-mail

Item n° :

60141739

Model :

FEKA 8250.6 T

Pump data

 Free passage : 80 mm
 Pressure rating :
 Min. fluid temperature : 32 °F
 Max. fluid temperature : 131 °F
 Max. Ambient temperature : 104 °F

Requested data

 Flow : 0 US g.p.m.
 Head : 0 m
 Fluid : Water, pure
 Fluid Temperature : 68 °F
 Density : 62/322 lb/ft³
 Kinematic viscosity : 1/0818E-5 ft²/s
 Vapor pressure : 2/337 kPa

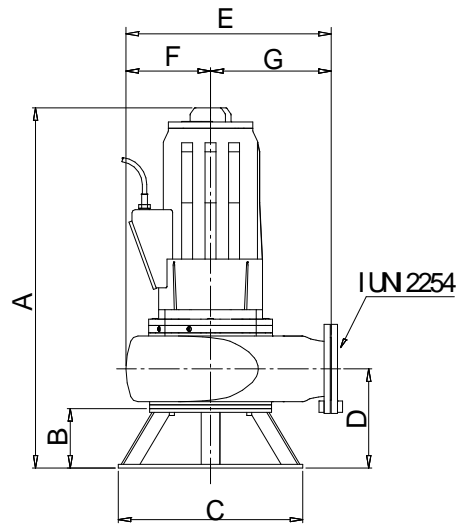
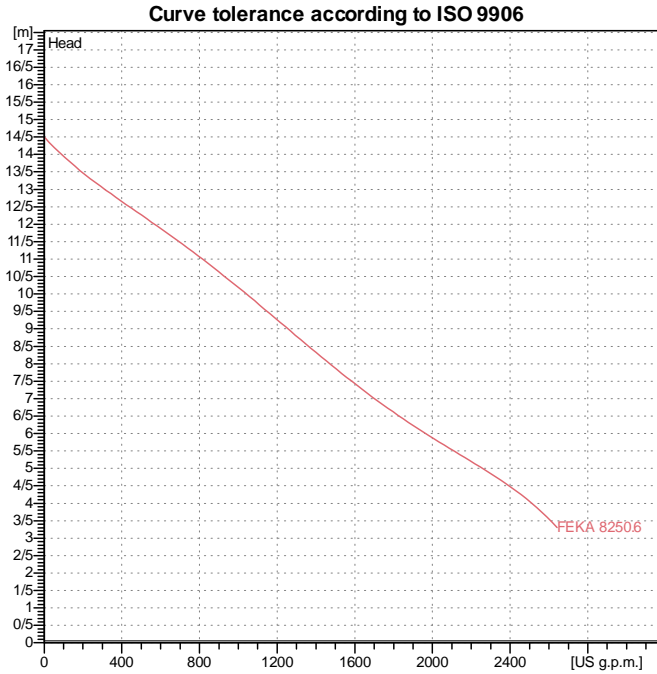
Hydraulic data (duty point)

 Flow :
 Head :

Materials

 Pump body : Cast iron (EN GJL 200)
 Impeller : Cast iron (EN GJL 200)
 Pump body OR ring : NBR
 Motor shaft : Stainless Steel AISI 420
 Motor body : Cast iron (EN GJL 200)
 Mechanical seal motor side : Carbon/Steel
 Mechanical seal pump side : SiC/SiC

Motor data

 Motor brand : DAB
 Nominal power P2 : 13/5 kW
 Rated speed : 950 rpm
 Rated voltage : 3~ 400 V 50 Hz
 Nominal current : 36 A
 Degree of protection : IP 68

Weight : 490 kg

Dimensions in mm

Dimension	Value	Dimension	Value
A	1200	I	DN 200
B	190		
C	640		
D	317		
E	771		
F	271		
G	500		

Pump connection

 Suction side : /
 Discharge side : DN 200 / --