

Receiver
From

Society
 Reference
 Address
 Phone
 Fax
 E-mail

Item n° :

103019060

Model :

FEKA 6250.4 T

Pump data

Free passage : 108 mm
 Pressure rating :
 Min. fluid temperature : 32 °F
 Max. fluid temperature : 131 °F
 Max. Ambient temperature : 104 °F

Requested data

Flow : 0 US g.p.m.
 Head : 0 m
 Fluid : Water, pure
 Fluid Temperature : 68 °F
 Density : 62/322 lb/ft³
 Kinematic viscosity : 1/0818E-5 ft²/s
 Vapor pressure : 2/337 kPa

Hydraulic data (duty point)

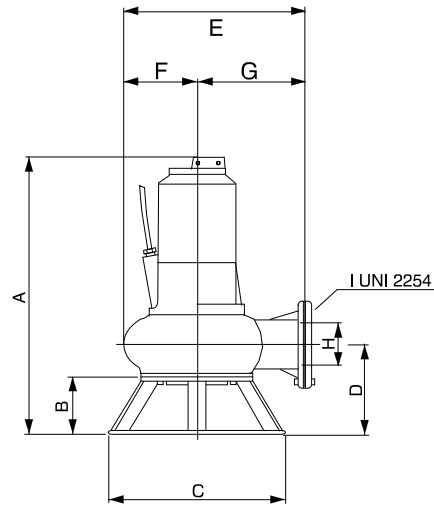
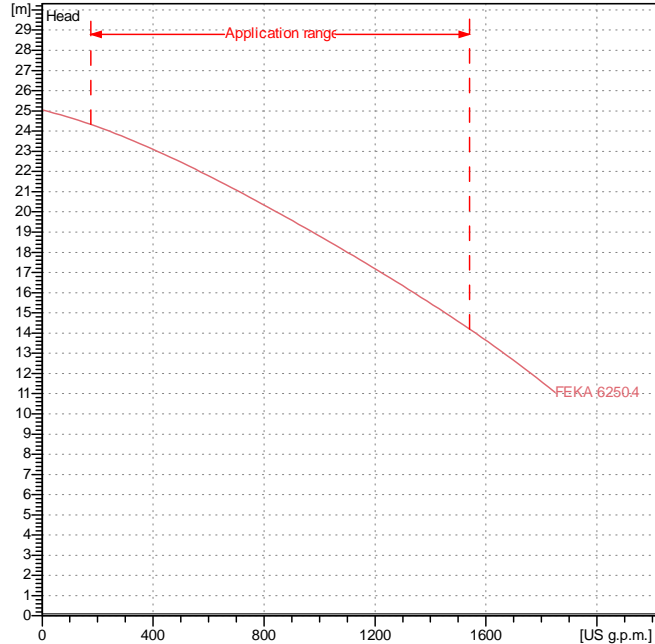
Flow :
 Head :

Materials

Pump body : Cast iron (EN GJL 200)
 Impeller : Cast iron (EN GJL 200)
 Pump body OR ring : NBR
 Motor shaft : Stainless Steel AISI 420
 Motor body : Cast iron (EN GJL 200)
 Mechanical seal motor side : Carbon/Steel
 Mechanical seal pump side : SiC/SiC

Motor data

Motor brand : DAB
 Nominal power P2 : 18/5 kW
 Rated speed : 1450 rpm
 Rated voltage : 3~ 400 V 50 Hz
 Nominal current : 40 A
 Degree of protection : IP 68

Curve tolerance according to ISO 9906

Weight : 330 kg

Dimensions in mm

A	1150	H	150		
B	190	I	DN 150		
C	590				
D	317				
E	696				
F	310				
G	386				

Pump connection

Suction side : /
 Discharge side : DN 150 / --