

**Receiver**
**From**

 Society  
 Reference  
 Address  
 Phone  
 Fax  
 E-mail

**Item n° :**

103019050

**Model :**

FEKA 6200.4 T

**Pump data**

 Free passage : 95 mm  
 Pressure rating :  
 Min. fluid temperature : 32 °F  
 Max. fluid temperature : 131 °F  
 Max. Ambient temperature : 104 °F

**Requested data**

 Flow : 0 US g.p.m.  
 Head : 0 m  
 Fluid : Water, pure  
 Fluid Temperature : 68 °F  
 Density : 62/322 lb/ft³  
 Kinematic viscosity : 1/0818E-5 ft²/s  
 Vapor pressure : 2/337 kPa

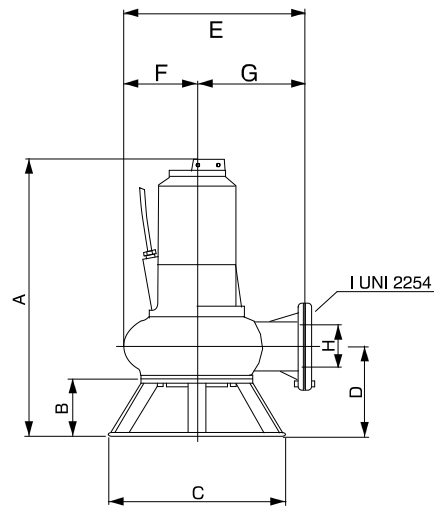
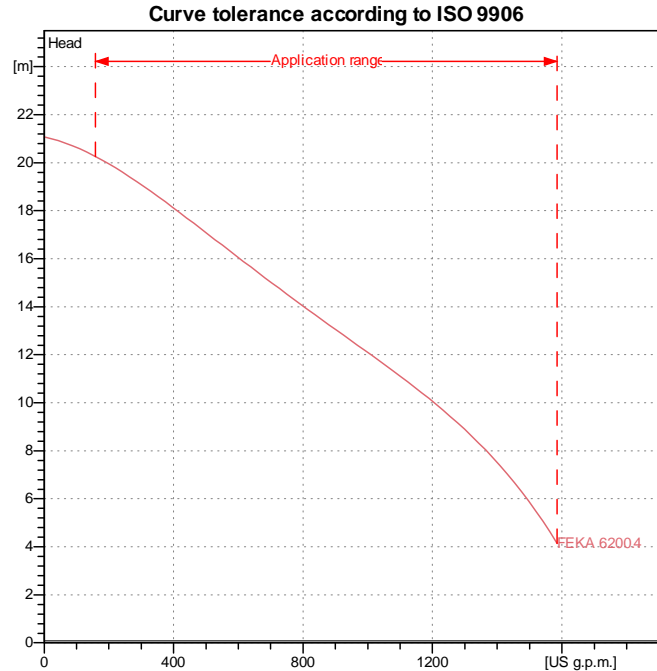
**Hydraulic data (duty point)**

 Flow :  
 Head :

**Materials**

 Pump body : Cast iron (EN GJL 200)  
 Impeller : Cast iron (EN GJL 200)  
 Pump body OR ring : NBR  
 Motor shaft : Stainless Steel AISI 420  
 Motor body : Cast iron (EN GJL 200)  
 Mechanical seal motor side : Carbon/Steel  
 Mechanical seal pump side : SiC/SiC

**Motor data**

 Motor brand : DAB  
 Nominal power P2 : 14/9 kW  
 Rated speed : 1450 rpm  
 Rated voltage : 3~ 400 V 50 Hz  
 Nominal current : 30 A  
 Degree of protection : IP 68

**Weight :** 226 kg

**Dimensions in mm**

A	950	H	150		
B	190	I	DN 150		
C	590				
D	301				
E	602				
F	240				
G	362				

**Pump connection**

 Suction side : /  
 Discharge side : DN 150 / --