

**Receiver**
**From**

 Society  
 Reference  
 Address  
 Phone  
 Fax  
 E-mail

**Item n° :**

103002784

**Model :**

FEKA 600 M-NA SV

**Pump data**

 Free passage : 25 mm  
 Pressure rating :  
 Min. fluid temperature : 32 °F  
 Max. fluid temperature : 95 °F  
 Max. Ambient temperature : 104 °F

**Requested data**

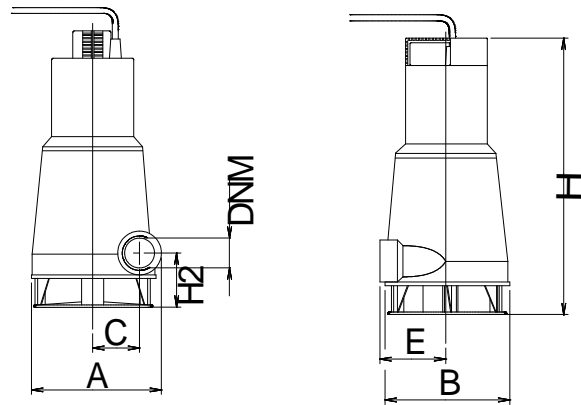
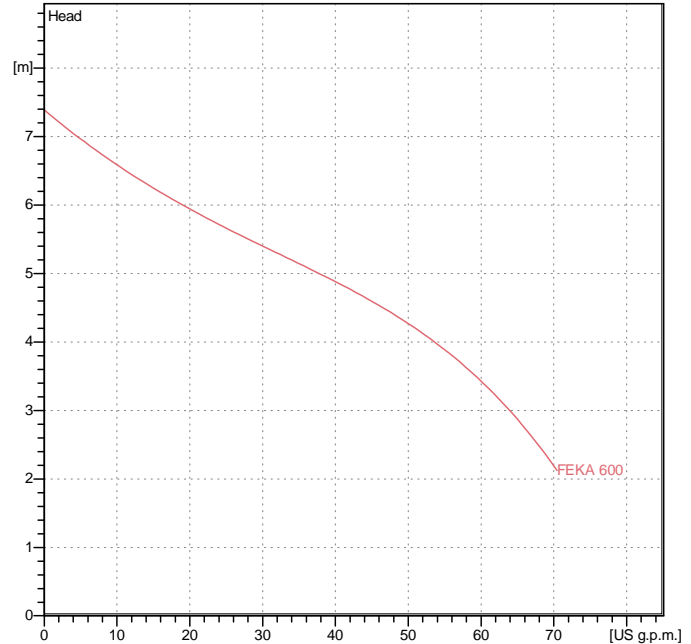
 Flow : 0 US g.p.m.  
 Head : 0 m  
 Fluid : Water, pure  
 Fluid Temperature : 68 °F  
 Density : 62/322 lb/ft³  
 Kinematic viscosity : 1/0818E-5 ft²/s  
 Vapor pressure : 2/337 kPa

**Hydraulic data (duty point)**

 Flow :  
 Head :

**Materials**

 Pump body : Technopolymer  
 Impeller : Technopolymer  
 OR ring : NBR Rubber  
 Motor top body : AISI 304 X5 Cr Ni 1810 UNI 6900/71  
 Rotor shaft : AISI 431  
 Seeger ring : 12E - UNI 7435 STAINLESS  
 Suction strainer : Technopolymer

**Curve tolerance according to ISO 9906**

**Motor data**

 Motor brand : DAB  
 Nominal power P2 : 0/55 kW  
 Rated speed : 2850 rpm  
 Rated voltage : 1~ 220-240 V  
 Nominal current : 4/3 A  
 Degree of protection : IP 68

50 Hz

**Weight :** 6/7 kg

**Dimensions in mm**

Dimension	Value				
A	162				
B	165				
C	56				
DNM	1" 1/4 G				
E	90				
H	365				
H2	70/5				

**Pump connection**

 Suction side : /  
 Discharge side : 1" 1/4 G / --