

Receiver
From

 Society
 Reference
 Address
 Phone
 Fax
 E-mail

Item n° :

60141722

Model :

FEKA 2508.4 M-NA

Pump data

 Free passage : 62 mm
 Pressure rating :
 Min. fluid temperature : 32 °F
 Max. fluid temperature : 131 °F
 Max. Ambient temperature : 104 °F

Requested data

 Flow : 0 US g.p.m.
 Head : 0 m
 Fluid : Water, pure
 Fluid Temperature : 68 °F
 Density : 62/322 lb/ft³
 Kinematic viscosity : 1/0818E-5 ft²/s
 Vapor pressure : 2/337 kPa

Hydraulic data (duty point)

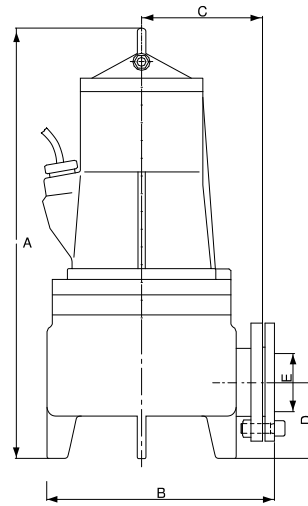
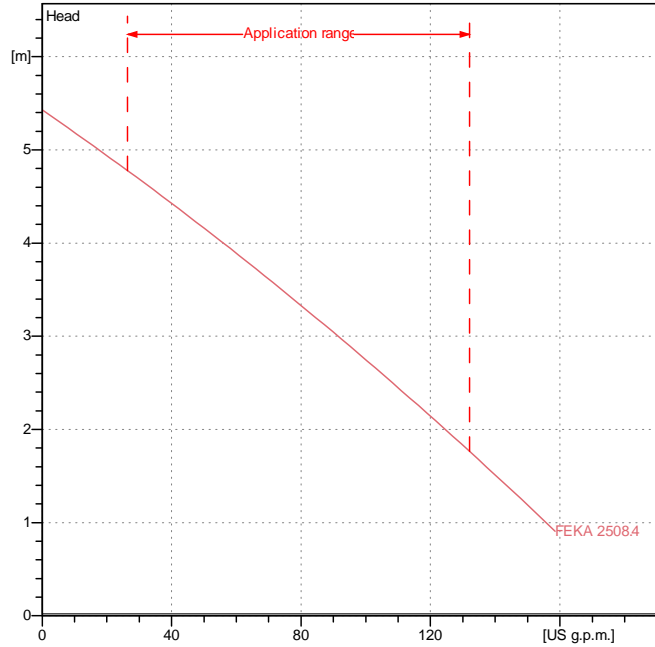
 Flow :
 Head :

Materials

 Pump body : Cast iron 200 UNI ISO 185
 Impeller : Cast iron 200 UNI ISO 185
 Pump body OR ring : NBR
 Motor shaft : AISI 416 X12 CrS 13 UNI 6900/71
 Motor casing : Cast iron 200 UNI ISO 185
 Protection cover : Cast iron 200 UNI ISO 185
 Mechanical seal : Silicon carbide

Motor data

 Motor brand : DAB
 Nominal power P2 : 0/6 kW
 Rated speed : 1450 rpm
 Rated voltage : 1~ 230 V 50 Hz
 Nominal current : 4/6 A
 Degree of protection : IP 68

Curve tolerance according to ISO 9906

Weight : 40 kg

Dimensions in mm

Dimension	Value (mm)
A	515
B	273
C	158
D	90
E	62

Pump connection

 Suction side : /
 Discharge side : DN 65 / --