

Receiver
From

 Society
 Reference
 Address
 Phone
 Fax
 E-mail

Item n° :

60145482

Model :

FEKA 2030.2 T

Pump data

 Free passage : 42 mm
 Pressure rating :
 Min. fluid temperature : 32 °F
 Max. fluid temperature : 104 °F
 Max. Ambient temperature : 104 °F

Requested data

 Flow : 0 US g.p.m.
 Head : 0 m
 Fluid : Water, pure
 Fluid Temperature : 68 °F
 Density : 62/322 lb/ft³
 Kinematic viscosity : 1/0818E-5 ft²/s
 Vapor pressure : 2/337 kPa

Hydraulic data (duty point)

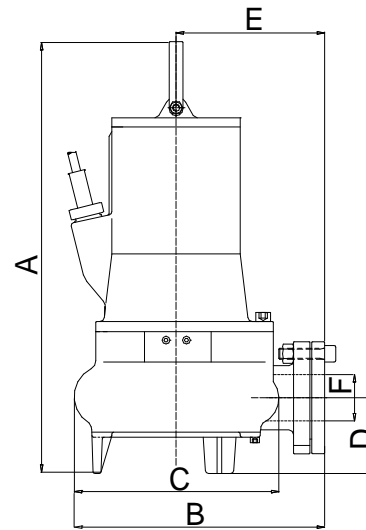
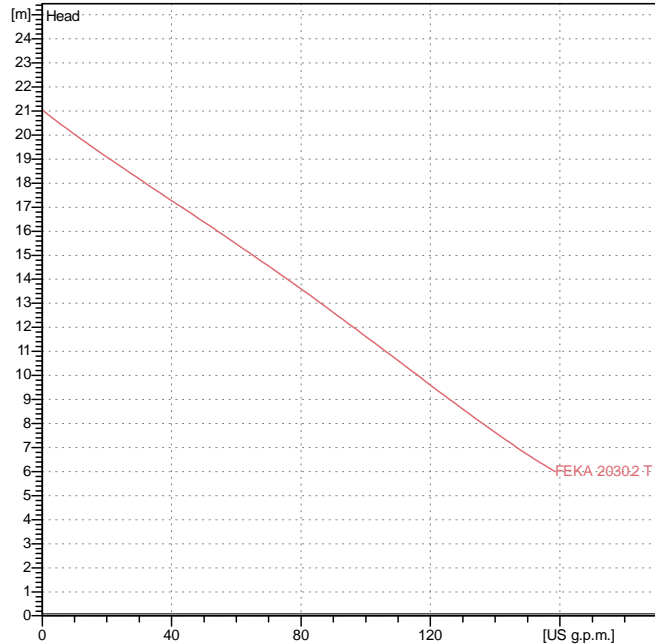
 Flow :
 Head :

Materials

 Motor body : Cast iron (EN GJL 200)
 Cover : Cast iron (EN GJL 200)
 Pump body : Cast iron (EN GJL 200)
 Mechanical seal motor side : Carbon/Alumina
 Mechanical seal pump side : SiC/SiC
 Impeller : Cast iron (EN GJL 200)
 OR ring : NBR

Motor data

 Motor brand : DAB
 Nominal power P2 : 2/2 kW
 Rated speed : 2800 rpm
 Rated voltage : 3~ 400 V 50 Hz
 Nominal current : 5/6 A
 Degree of protection : IP 68

Curve tolerance according to ISO 9906

Weight : 34 kg

Dimensions in mm

Dimension	Value				
A	457				
B	300				
C	220				
D	88				
E	178				
F	2"				

Pump connection

 Suction side : /
 Discharge side : DN 50 / --