

**Receiver**
**From**

 Society  
 Reference  
 Address  
 Phone  
 Fax  
 E-mail

**Item n° :**

60145480

**Model :**

FEKA 2015.2 T

**Pump data**

 Free passage : 42 mm  
 Pressure rating :  
 Min. fluid temperature : 32 °F  
 Max. fluid temperature : 104 °F  
 Max. Ambient temperature : 104 °F

**Requested data**

 Flow : 0 US g.p.m.  
 Head : 0 m  
 Fluid : Water, pure  
 Fluid Temperature : 68 °F  
 Density : 62/322 lb/ft³  
 Kinematic viscosity : 1/0818E-5 ft²/s  
 Vapor pressure : 2/337 kPa

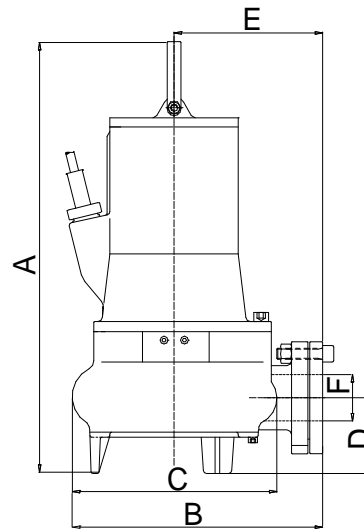
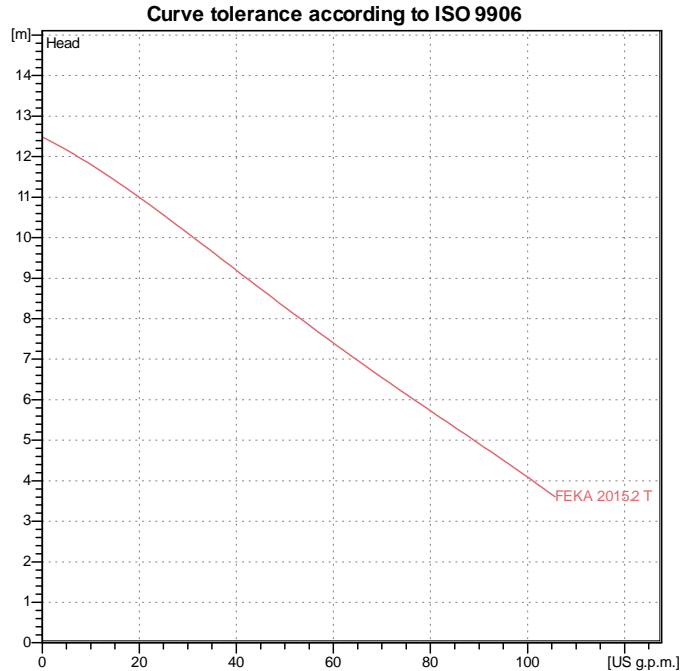
**Hydraulic data (duty point)**

 Flow :  
 Head :

**Materials**

 Motor body : Cast iron (EN GJL 200)  
 Cover : Cast iron (EN GJL 200)  
 Pump body : Cast iron (EN GJL 200)  
 Mechanical seal motor side : Carbon/Alumina  
 Mechanical seal pump side : SiC/SiC  
 Impeller : Cast iron (EN GJL 200)  
 OR ring : NBR

**Motor data**

 Motor brand : DAB  
 Nominal power P2 : 1/1 kW  
 Rated speed : 2800 rpm  
 Rated voltage : 3~ 400 V 50 Hz  
 Nominal current : 2/8 A  
 Degree of protection : IP 68

**Weight :** 32 kg

**Dimensions in mm**

Dimension	Value	Unit			
A	457	mm			
B	300	mm			
C	220	mm			
D	88	mm			
E	178	mm			
F	2"	mm			

**Pump connection**

 Suction side : /  
 Discharge side : DN 50 / --