

Receiver
From

 Society
 Reference
 Address
 Phone
 Fax
 E-mail

Item n° :

1D5511000

Model :

KDN 80-315/XXX/A/BAQE

Pump data

Impeller size	334 mm
Hydraulic curve at rpm:	
Rated speed :	1450 rpm
Coupling :	
MEI ≥	
Pressure rating :	PN 16
Min. fluid temperature :	14 °F
Max. fluid temperature :	284 °F
Max. Ambient temperature :	104 °F

Requested data

Flow :	0/00 US g.p.m.
Head :	0/00 m
Fluid (%) :	Water, pure
Fluid Temperature :	68 °F
Density :	62/322 lb/ft³
Kinematic viscosity :	1/0818E-5 ft²/s
Vapor pressure :	2/34 kPa

Hydraulic data (duty point)

Flow :	
Head :	
NPSH :	
Shaft power P2 :	
Efficiency :	

Materials

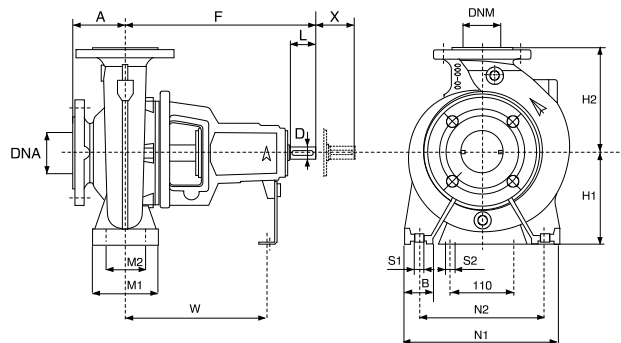
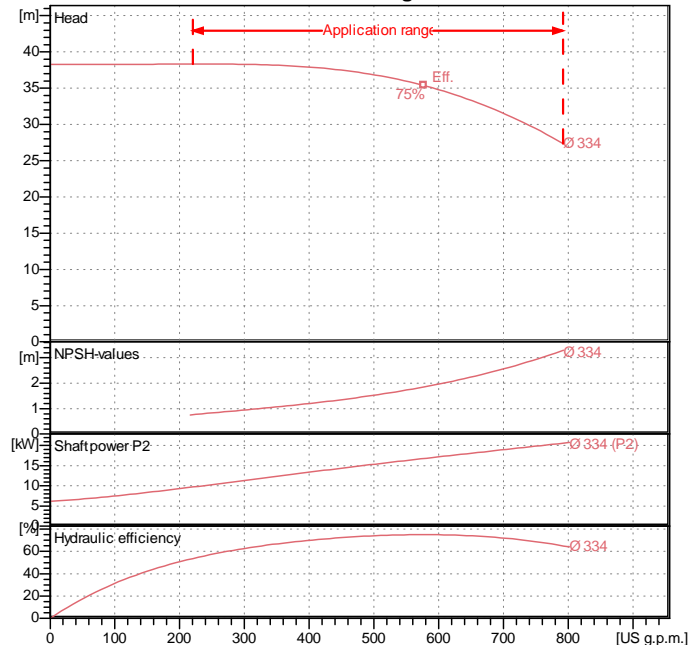
Pump body	Cast iron 250 UNI ISO 185
Impeller	Cast iron 250 UNI ISO 185
Pump shaft	AISI 420 - UNI 6900/71
OR ring	Viton
Seal disk	Cast iron 250 UNI ISO 185
Mechanical seal	SEE "SHAFT SEAL" SECTION
Seal spacer	AISI 304 - UNI 6900/71

Shaft seal

Type	Rubber
Stationary part	Carbon
Rotating part	Silicon carbide
Elastomer	EPDM

Motor data

Nominal power P2 :	
Rated speed :	
Rated voltage :	
Nominal current :	
Degree of protection :	

Curve tolerance according to ISO 9906

Weight : 124 kg

Dimensions in mm

A	125	H2	315	S2	M12
B	80	L	80	W	340
D	32	M1	160	X	140
DNA	100	M2	120		
DNM	80	N1	400		
F	470	N2	315		
H1	250	S1	M16		

Pump connection

Suction side :	DN 100 / PN 16
Discharge side :	DN 80 / PN 16