

Receiver
From

 Society
 Reference
 Address
 Phone
 Fax
 E-mail

Item n° :

1D3411000

Model :

KDN 50-250/XXX/A/BAQE

Pump data

| | |
|----------------------------|----------|
| Impeller size | 263 mm |
| Hydraulic curve at rpm: | |
| Rated speed : | 1450 rpm |
| Coupling : | |
| MEI \geq | 0,60 |
| Pressure rating : | PN 16 |
| Min. fluid temperature : | 14 °F |
| Max. fluid temperature : | 284 °F |
| Max. Ambient temperature : | 104 °F |

Requested data

| | |
|-----------------------|------------------------------|
| Flow : | 0/00 US g.p.m. |
| Head : | 0/00 m |
| Fluid (%) : | Water, pure |
| Fluid Temperature : | 68 °F |
| Density : | 62/322 lb/ft ³ |
| Kinematic viscosity : | 1/0818E-5 ft ² /s |
| Vapor pressure : | 2/34 kPa |

Hydraulic data (duty point)

| | |
|------------------|--|
| Flow : | |
| Head : | |
| NPSH : | |
| Shaft power P2 : | |
| Efficiency : | |

Materials

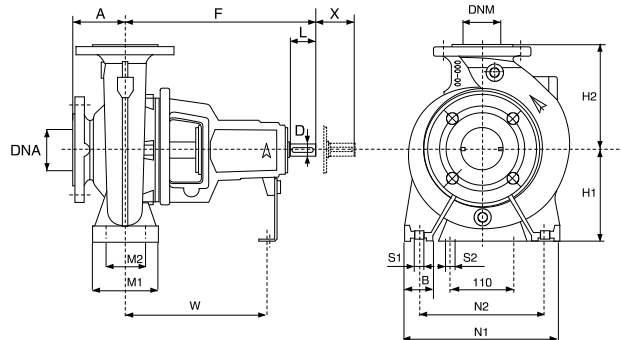
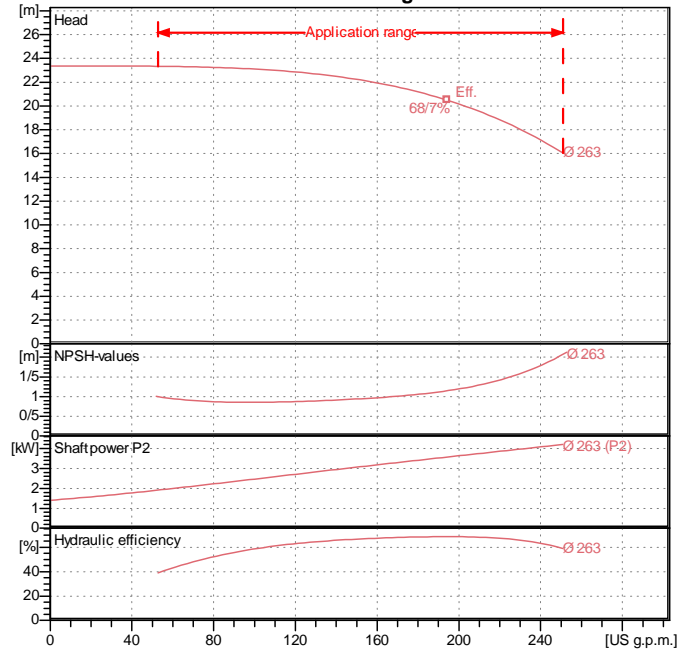
| | |
|-----------------|---------------------------|
| Pump body | Cast iron 250 UNI ISO 185 |
| Impeller | Cast iron 250 UNI ISO 185 |
| Pump shaft | AISI 420 - UNI 6900/71 |
| OR ring | Viton |
| Seal disk | Cast iron 250 UNI ISO 185 |
| Mechanical seal | SEE "SHAFT SEAL" SECTION |
| Seal spacer | AISI 304 - UNI 6900/71 |

Shaft seal

| | |
|-----------------|-----------------|
| Type | Rubber |
| Stationary part | Carbon |
| Rotating part | Silicon carbide |
| Elastomer | EPDM |

Motor data

| | |
|------------------------|--|
| Nominal power P2 : | |
| Rated speed : | |
| Rated voltage : | |
| Nominal current : | |
| Degree of protection : | |

Curve tolerance according to ISO 9906

Weight : 60 kg

Dimensions in mm

| | | | | | |
|-----|-----|----|-----|----|-----|
| A | 100 | H2 | 225 | S2 | M12 |
| B | 65 | L | 50 | W | 260 |
| D | 24 | M1 | 125 | X | 100 |
| DNA | 65 | M2 | 95 | | |
| DNM | 50 | N1 | 320 | | |
| F | 360 | N2 | 250 | | |
| H1 | 180 | S1 | M12 | | |

Pump connection

| | |
|------------------|---------------|
| Suction side : | DN 65 / PN 16 |
| Discharge side : | DN 50 / PN 16 |