

**Receiver**
**From**

 Society  
 Reference  
 Address  
 Phone  
 Fax  
 E-mail

**Item n° :**

1D1K11000

**Model :**

KDN 32-125.1/XXX/A/BAQE

**Pump data**

|                            |          |
|----------------------------|----------|
| Impeller size              | 140 mm   |
| Hydraulic curve at rpm:    |          |
| Rated speed :              | 1450 rpm |
| Coupling :                 |          |
| MEI $\geq$ 0,40            |          |
| Pressure rating :          | PN 16    |
| Min. fluid temperature :   | 14 °F    |
| Max. fluid temperature :   | 284 °F   |
| Max. Ambient temperature : | 104 °F   |

**Requested data**

|                       |                              |
|-----------------------|------------------------------|
| Flow :                | 0/00 US g.p.m.               |
| Head :                | 0/00 m                       |
| Fluid (%) :           | Water, pure                  |
| Fluid Temperature :   | 68 °F                        |
| Density :             | 62/322 lb/ft <sup>3</sup>    |
| Kinematic viscosity : | 1/0818E-5 ft <sup>2</sup> /s |
| Vapor pressure :      | 2/34 kPa                     |

**Hydraulic data (duty point)**

|                  |  |
|------------------|--|
| Flow :           |  |
| Head :           |  |
| NPSH :           |  |
| Shaft power P2 : |  |
| Efficiency :     |  |

**Materials**

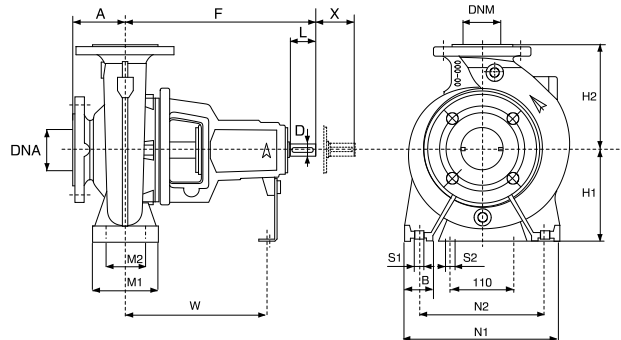
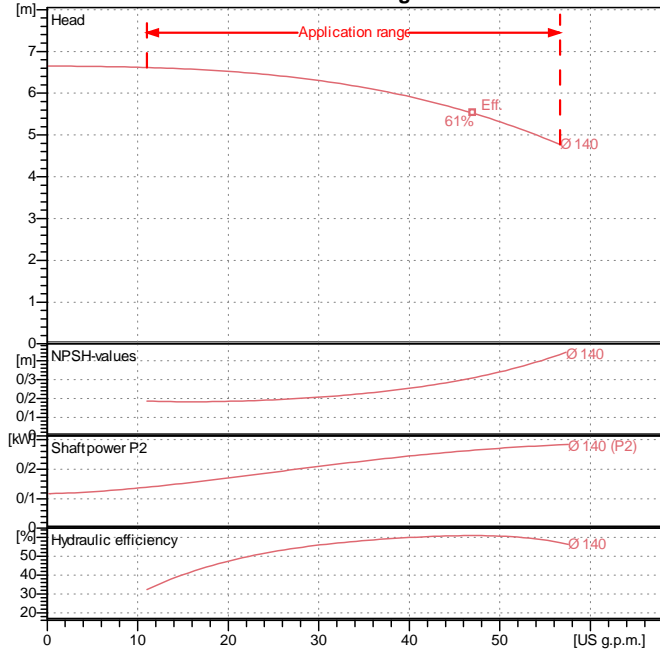
|                 |                           |
|-----------------|---------------------------|
| Pump body       | Cast iron 250 UNI ISO 185 |
| Impeller        | Cast iron 250 UNI ISO 185 |
| Pump shaft      | AISI 420 - UNI 6900/71    |
| OR ring         | Viton                     |
| Seal disk       | Cast iron 250 UNI ISO 185 |
| Mechanical seal | SEE "SHAFT SEAL" SECTION  |
| Seal spacer     | AISI 304 - UNI 6900/71    |

**Shaft seal**

|                 |                 |
|-----------------|-----------------|
| Type            | Rubber          |
| Stationary part | Carbon          |
| Rotating part   | Silicon carbide |
| Elastomer       | EPDM            |

**Motor data**

|                        |  |
|------------------------|--|
| Nominal power P2 :     |  |
| Rated speed :          |  |
| Rated voltage :        |  |
| Nominal current :      |  |
| Degree of protection : |  |

**Curve tolerance according to ISO 9906**

**Weight :** 37 kg

**Dimensions in mm**

|     |     |    |     |    |     |
|-----|-----|----|-----|----|-----|
| A   | 80  | H2 | 140 | S2 | M12 |
| B   | 50  | L  | 50  | W  | 260 |
| D   | 24  | M1 | 100 | X  | 100 |
| DNA | 50  | M2 | 70  |    |     |
| DNM | 32  | N1 | 190 |    |     |
| F   | 360 | N2 | 140 |    |     |
| H1  | 112 | S1 | M12 |    |     |

**Pump connection**

|                  |               |
|------------------|---------------|
| Suction side :   | DN 50 / PN 16 |
| Discharge side : | DN 32 / PN 16 |