

Receiver
From

 Society
 Reference
 Address
 Phone
 Fax
 E-mail

Item n° :

1D8311000

Model :

KDN 150-200/XXXA/BAQE

Pump data

Impeller size	224 mm
Hydraulic curve at rpm:	
Rated speed :	1450 rpm
Coupling :	
MEI ≥	---
Pressure rating :	PN 10
Min. fluid temperature :	14 °F
Max. fluid temperature :	284 °F
Max. Ambient temperature :	104 °F

Requested data

Flow :	0/00 US g.p.m.
Head :	0/00 m
Fluid (%) :	Water, pure
Fluid Temperature :	68 °F
Density :	62/322 lb/ft ³
Kinematic viscosity :	1/0818E-5 ft ² /s
Vapor pressure :	2/34 kPa

Hydraulic data (duty point)

Flow :	
Head :	
NPSH :	
Shaft power P2 :	
Efficiency :	

Materials

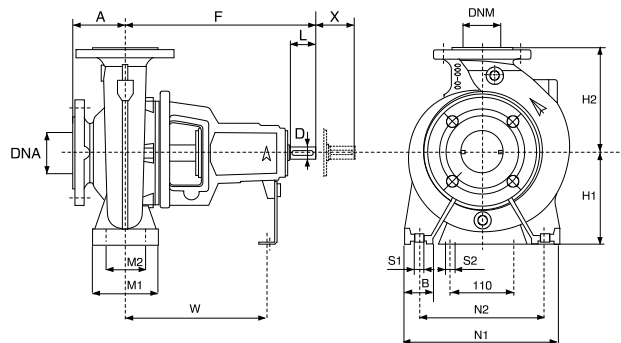
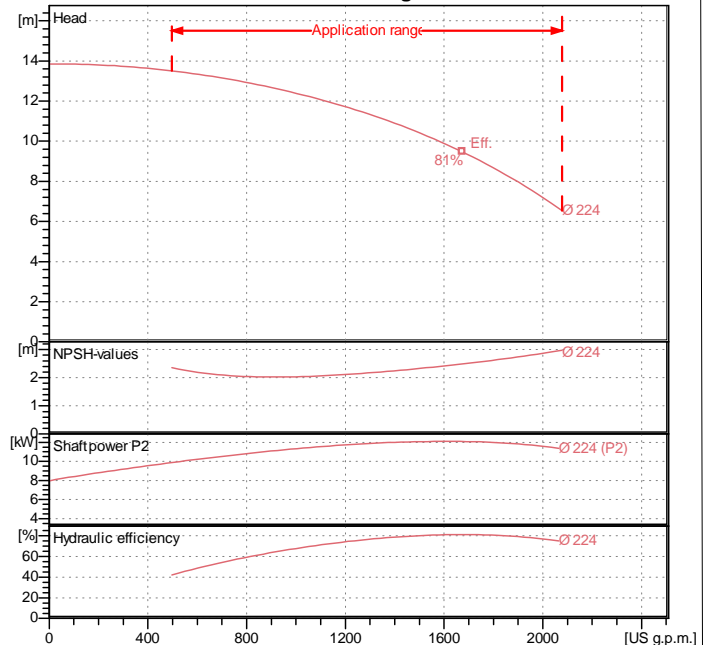
Pump body	Cast iron 250 UNI ISO 185
Impeller	Cast iron 250 UNI ISO 185
Pump shaft	AISI 420 - UNI 6900/71
OR ring	Viton
Seal disk	Cast iron 250 UNI ISO 185
Mechanical seal	SEE "SHAFT SEAL" SECTION
Seal spacer	AISI 304 - UNI 6900/71

Shaft seal

Type	Rubber
Stationary part	Carbon
Rotating part	Silicon carbide
Elastomer	EPDM

Motor data

Nominal power P2 :	
Rated speed :	
Rated voltage :	
Nominal current :	
Degree of protection :	

Curve tolerance according to ISO 9906

Weight : 178 kg

Dimensions in mm

A	160	H2	400	S2	M12
B	100	L	80	W	340
D	32	M1	200	X	140
DNA	200	M2	150		
DNM	150	N1	550		
F	470	N2	450		
H1	280	S1	M20		

Pump connection

Suction side :	DN 200 / PN 10
Discharge side :	DN 150 / PN 16